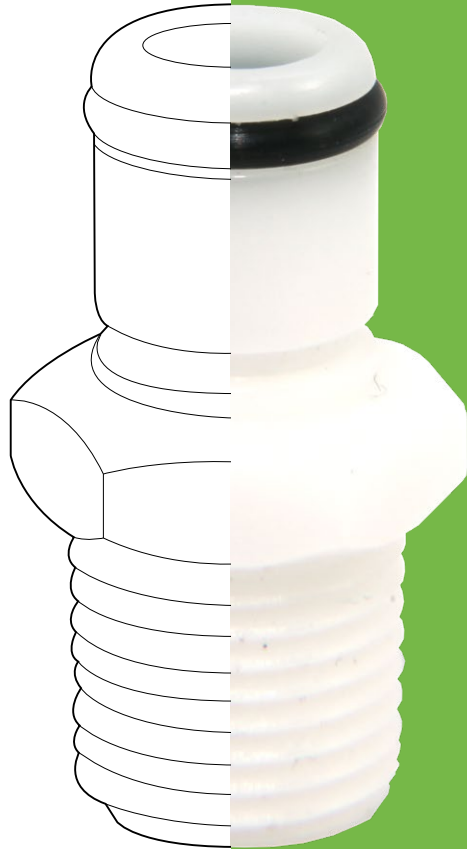


QUICK COUPLINGS





P. 393 /
PLASTIC QUICK COUPLINGS



P. 397 /
ACETAL RESIN QUICK COUPLINGS

TECHNICAL INDEX



QUICK COUPLINGS PLASTIC

PLUS

**FAST AND RELIABLE PUSH TO CONNECT
MECHANISM**

**A VARIETY OF PLUGS CAN BE
CONNECTED AND USED**

**LIGHTWEIGHT AND ROBUST THANK
TO THE CONSTRUCTION MATERIALS**

**CAN BE USED TO HYDRAULIC OR
PNEUMATICS APPLICATIONS**





p. 395 / **8001**



p. 395 / **8006**

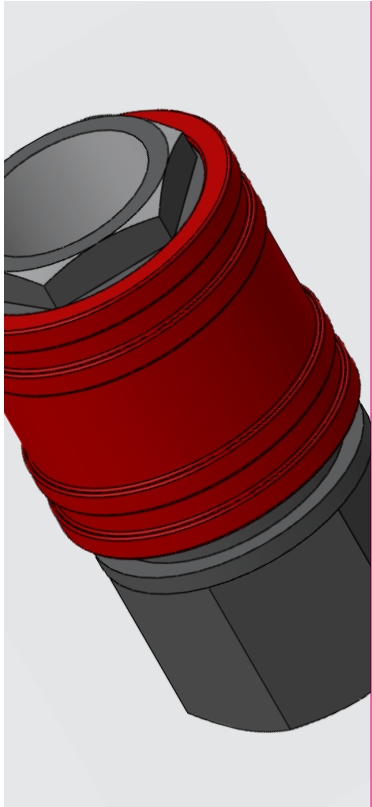


p. 396 / **8007**



p. 396 / **8008**





+4°C ÷ 90°C



Up to 14 Bar at 20°C



Compressed air, water and food fluids suitable with construction materials



Taper gas BSPT ISO 7 - R1/4"



Body: Nylon

Seal: NBR

Internal parts: Acetal resin

Spring: Stainless steel AISI 316

CONNECTION: Acetal resin

PRECAUTIONS

The products are made in plastic and it's necessary to use teflon coating over the thread for installation in order and to prevent air leakage. Be sure to prevent excessive torque when screwing the fittings. Available on demand with EPDM seal



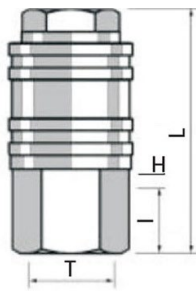
Products in compliance with the directive 2002/95/EC



Products in compliance with the directive 2011/65/EU

8001

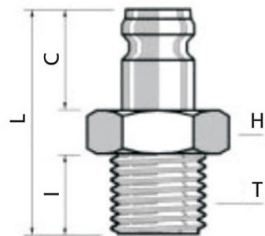
Plastic female quick coupler



CODE	T	I	L	H	GR.
8001TR14	R1/4"	10,0	43,0	19	14,2

8006

Plastic male connection

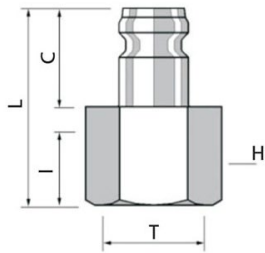


CODE	T	I	L	C	H	GR
8006TR14	R1/4"	10,0	30,0	14,0	17	3,9



8007

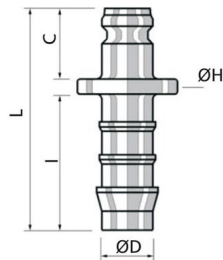
Plastic female connection



CODE	T	I	L	C	H	GR.
8007TR14	R1/4"	10,0	28,0	14,0	17	3,6

8008

Plastic barb connection



CODE	ØD	I	L	C	ØH	GR.
8008TR5	5	22,0	39,0	14,0	16,7	2,1
8008TR6	6	24,0	41,0	14,0	16,7	2,35
8008TR8	8	26,0	43,0	14,0	16,8	3,25
8008TR10	10	26,0	43,0	14,0	16,8	3,85
8008TR12	12	28,0	45,0	14,0	16,8	4,15



QUICK COUPLINGS ACETAL RESIN

PLUS

RESISTANT TO MOST MILD CHEMICALS
AND ARE MANUFACTURED TO BE
TROUBLE FREE FOR MANY YEARS

ARE PRODUCED IN A DURABLE
NATURAL ACETAL THERMOPLASTIC

THEY FEATURE A THUMB-LATCH RELEASE
WHICH PROVIDES A SIMPLE ONE HAND
OPERATION

AVAILABLE IN BOTH VALVED AND
NON-VALVED CONFIGURATIONS





p. 400 / **20AC100**



p. 400 / **40AC100**



p. 400 / **20AC110**



p. 400 / **40AC110**



p. 401 / **20AC120**



p. 401 / **40AC120**



p. 401 / **20AC101**



p. 401 / **40AC101**



p. 402 / **20AC111**



p. 402 / **40AC111**



p. 402 / **20AC121**



p. 402 / **40AC121**

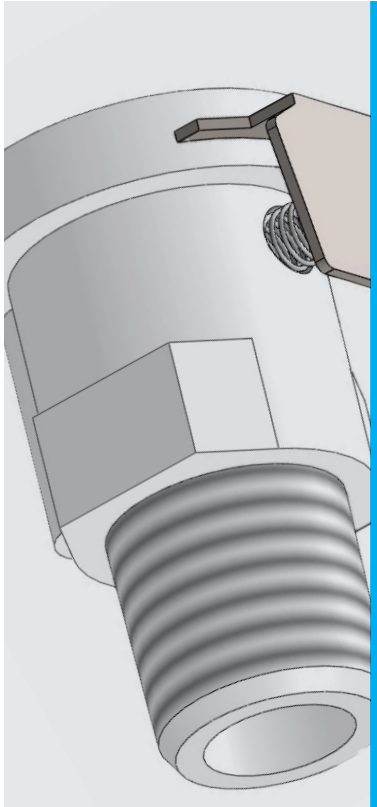


p. 403 / **20AC131**



p. 403 / **40AC131**





From -40°C to +82°C



From -750mmHg to 8,3 Bar



20AC series: 3.0 mm
40AC series: 6.2mm



Compressed air, water and fluids suitable with construction materials



Taper gas BSPT ISO 7 from R1/8" to R1/4"

Body: POM

Internal valve: POM

Internal valve spring: stainless steel AISI 316

Seals: FDA & NSF grade Buna-N

Thumb-latch: stainless steel

External springs & Pin: stainless steel



Products in compliance with the directive 2002/95/EC

RoHS2

Products in compliance with the directive 2011/65/EU

PRECAUTIONS

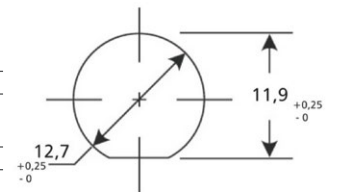
The products are made in plastic and it's necessary to use teflon coating over the thread for installation in order and to prevent air leakage. Be sure to prevent excessive torque when screwing the fittings.

FEATURES

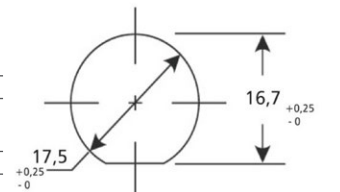
20AC acetal resin series coupling are resistant to most mild chemicals and are studied and manufactured to be trouble free for many years of service.

PANEL MOUNT DIMENSION

	MIN. WALL THICKNESS	MAX WALL THICKNESS	PANEL NUT HEX SIZE	PANEL NUT THREAD
COUPLINGS	1.3 mm	12.7 mm	16 mm	1/2" - 24 uns
CONNECTORS	1.3 mm	7.6 mm	16 mm	1/2" - 24 uns

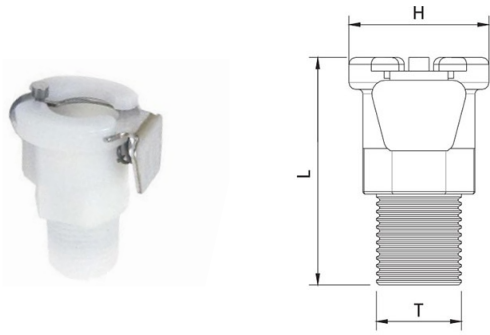


	MIN. WALL THICKNESS	MAX WALL THICKNESS	PANEL NUT HEX SIZE	PANEL NUT THREAD
COUPLINGS	1.3 mm	12.7 mm	21 mm	11/16" - 24 uns
CONNECTORS	1.3 mm	7.6 mm	21 mm	11/16" - 24 uns



20AC100

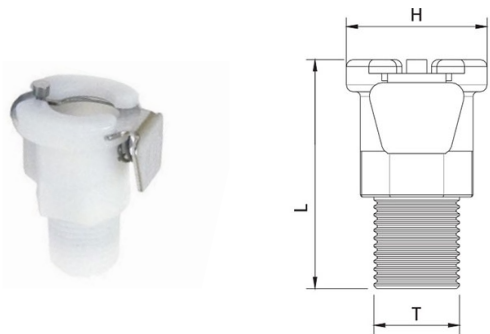
Male quick coupler



CODE	VALVED	T	L	H
20AC100L-R01	NO	R1/8"	25,4	15,7
20AC100V-R01	YES	R1/8"	25,4	15,7
20AC100L-R02	NO	R1/4"	25,4	15,7
20AC100V-R02	YES	R1/4"	25,4	15,7

40AC100

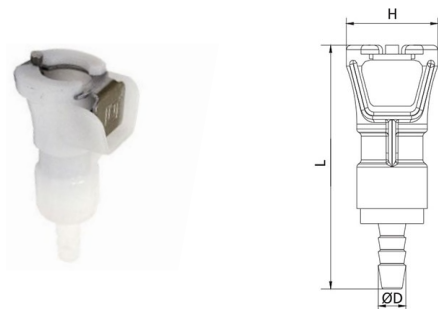
Male quick coupler



CODE	VALUED	T	L	H
40AC100L-R02	NO	R1/4"	29,2	19,1
40AC100V-R02	SI	R1/4"	29,2	19,1
40AC100L-R03	NO	R3/8"	29,2	19,1
40AC100V-R03	SI	R3/8"	29,2	19,1

20AC110

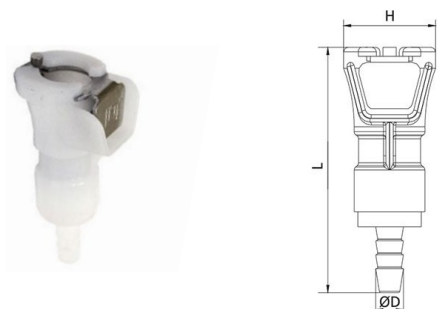
Quick coupler with barb connector



CODE	VALUED	ØD	L	H
20AC110L-48	NO	4,8	41,9	15,7
20AC110V-48	YES	4,8	41,9	15,7
20AC110L-63	NO	6,3	45,7	15,7
20AC110V-63	YES	6,3	45,7	15,7
20AC110L-76	NO	7,6	45,7	15,7
20AC110V-76	YES	7,6	45,7	15,7

40AC110

Quick coupler with barb connector

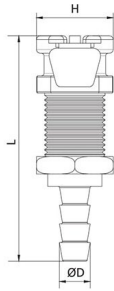


CODE	VALUED	ØD	L	H
40AC110L-76	NO	7,6	48,3	19,1
40AC110V-76	SI	7,6	48,3	19,1
40AC110L-91	NO	9,1	48,3	19,1
40AC110V-91	SI	9,1	48,3	19,1
40AC110L-107	NO	10,7	48,3	19,1
40AC110V-107	SI	10,7	48,3	19,1



20AC120

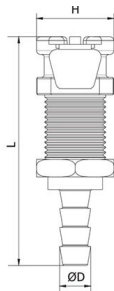
Bulkhead quick coupler with barb connector



CODE	VALVED	ØD	L	H
20AC120L-48	NO	4,8	41,9	15,7
20AC120V-48	YES	4,8	41,9	15,7
20AC120L-63	NO	6,3	45,7	15,7
20AC120V-63	YES	6,3	45,7	15,7
20AC120L-76	NO	7,6	45,7	15,7
20AC120V-76	YES	7,6	45,7	15,7

40AC120

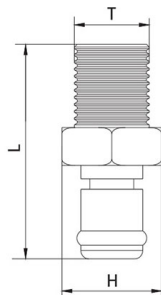
Bulkhead quick coupler with barb connector



CODE	VALUED	ØD	L	H
40AC120L-76	NO	7,6	48,3	19,1
40AC120V-76	SI	7,6	48,3	19,1
40AC120L-91	NO	9,1	48,3	19,1
40AC120V-91	SI	9,1	48,3	19,1
40AC120L-107	NO	10,7	48,3	19,1
40AC120V-107	SI	10,7	48,3	19,1

20AC101

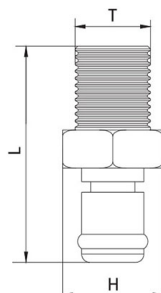
Male connection



CODE	VALUED	T	L	H
20AC101L-R01	NO	R1/8"	26,2	12,7
20AC101V-R01	YES	R1/8"	34,5	12,7
20AC101L-R02	NO	R1/4"	28,7	14,2
20AC101V-R02	YES	R1/4"	35,3	14,2

40AC101

Male connection



CODE	VALUED	T	L	H
40AC101L-R02	NO	R1/4"	31,8	16,0
40AC101V-R02	SI	R1/4"	41,9	16,0
40AC101L-R03	NO	R3/8"	31,8	19,1
40AC101V-R03	SI	R3/8"	41,9	19,1



20AC111

Connector with barb connection



CODE	VALVED	ØD	L	H
20AC111L-48	NO	4,8	24,6	14,0
20AC111V-48	YES	4,8	41,9	14,0
20AC111L-63	NO	6,3	28,4	14,0
20AC111V-63	YES	6,3	45,7	14,0
20AC111L-76	NO	7,6	28,4	14,0
20AC111V-76	YES	7,6	45,7	14,0

40AC111

Connector with barb connection



CODE	VALUED	ØD	L	H
40AC111L-76	NO	7,6	31,8	17,8
40AC111V-76	SI	7,6	49,3	17,8
40AC111L-91	NO	9,1	31,8	17,8
40AC111V-91	SI	9,1	49,3	17,8
40AC111L-107	NO	10,7	31,8	17,8
40AC111V-107	SI	10,7	46,5	17,8

20AC121

Bulkhead connector with barb connection



CODE	VALVED	ØD	L	H
20AC121L-48	NO	4,8	41,1	15,7
20AC121V-48	SI	4,8	41,1	15,7
20AC121L-63	NO	6,3	44,7	15,7
20AC121V-63	SI	6,3	44,7	15,7
20AC121L-76	NO	7,6	44,7	15,7
20AC121V-76	SI	7,6	44,7	15,7

40AC121

Bulkhead connector with barb connection



CODE	VALUED	ØD	L	H
40AC121L-76	NO	7,6	47,8	19,1
40AC121V-76	SI	7,6	47,8	19,1
40AC121L-91	NO	9,1	47,8	19,1
40AC121V-91	SI	9,1	47,8	19,1
40AC121L-107	NO	10,7	47,8	19,1
40AC121V-107	SI	10,7	47,8	19,1



20AC131

Elbow barb connection



CODE	VALVED	ØD	L	H
20AC131L-48	NO	4,8	21,8	12,7
20AC131V-48	YES	4,8	30,2	12,7
20AC131L-76	NO	7,6	24,9	12,7
20AC131V-76	YES	7,6	30,2	12,7

40AC131

Elbow barb connection



CODE	VALUED	ØD	L	H
40AC131L-76	NO	7,6	27,9	16,0
40AC131V-76	SI	7,6	34,3	16,0
40AC131L-107	NO	10,7	27,9	12,7
40AC131V-107	SI	10,7	34,3	12,7



