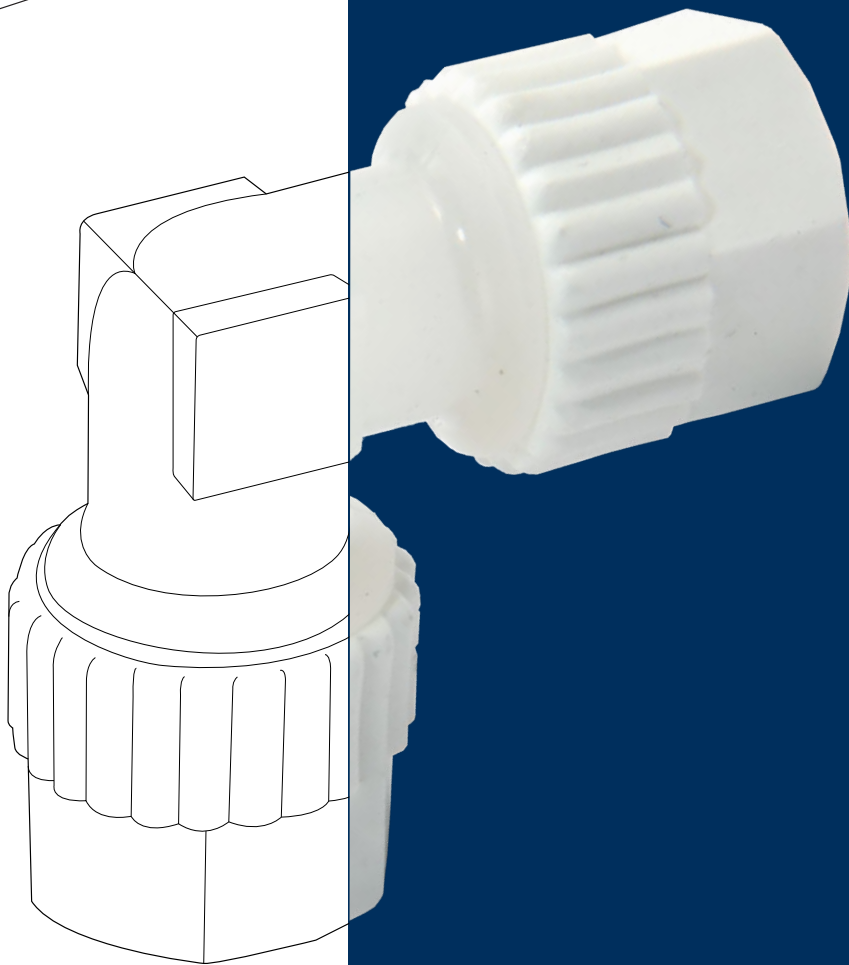


PUSH-ON FITTINGS





P. 165 /
ACETAL RESIN
PUSH-ON FITTINGS



P. 169 /
BRASS
PUSH-ON FITTINGS



P. 183 /
POLYPROPYLENE
PUSH-ON FITTINGS



P. 191 /
PVDF
PUSH-ON FITTINGS



P. 199 /
PUSH-ON FITTINGS
INOX AISI 316L

TECHNICAL INDEX



PUSH-ON FITTINGS

ACETAL
RESIN

PLUS

**GREAT GRIPPING SYSTEM
WITH THE LOCKING NUT**

**STUDIED FOR COMPRESSED AIR AND
VACUUM**

**EASY TO BE USED AND EXTREMELY
STRONG**





p. 168 / **CK**

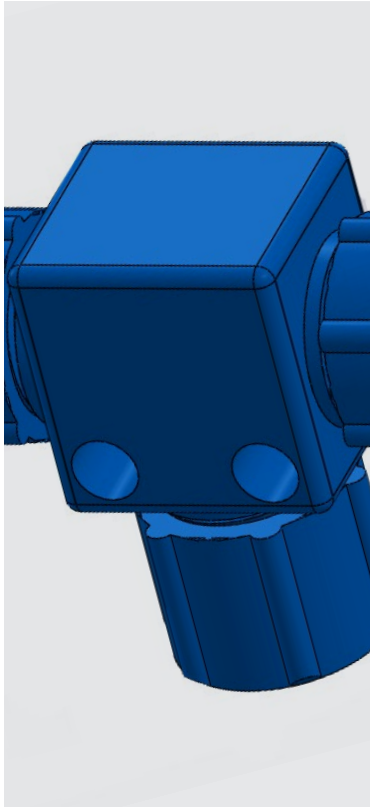


p. 168 / **GCK**



p. 168 / **FCK**





0°C ÷ 60°C



Working pressure: 10 Bar
Negative pressure: -750mmHg



Compressed air & vacuum



Taper gas BSPT ISO 7
 from R1/8" to R1/2"



Polyurethane



Acetal resin



Products in compliance with the directive 2002/95/EC

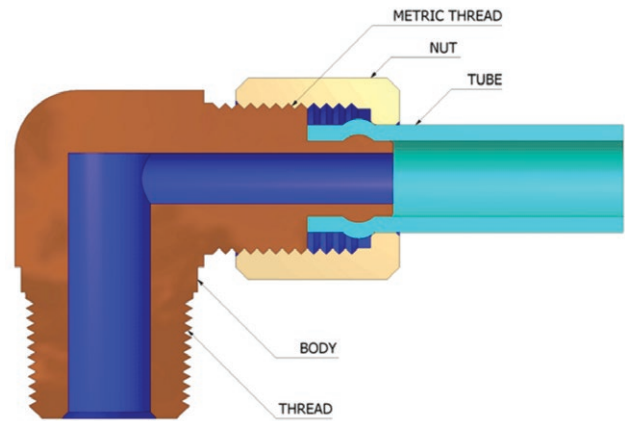
RoHS2

Products in compliance with the directive 2011/65/EU

PRECAUTIONS

- The products are made in plastic and it's necessary to use teflon coating over the thread for installation in order to prevent air leakage. Be sure to prevent excessive torque when screwing the fittings.
- To connect the tube, insert the tube to the end and tight the cap before use.
- Cut the pressed part of the tube before connection to reuse the released tube
- Do not use in water applications

CONSTRUCTION MATERIALS



PUES

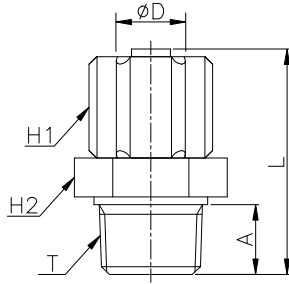


SIZE								
4X2,5	PUES0425AZ	PUES0425NE	PUES0425RO	PUES0425GL	PUES0425VD	PUES0425TR	PUES0425AZTR	PUES0425SL
6X4	PUES0604AZ	PUES0604NE	PUES0604RO	PUES0604GL	PUES0604VD	PUES0604TR	PUES0604AZTR	PUES0604SL
8X5,5	PUES0855AZ	PUES0855NE	PUES0855RO	PUES0855GL	PUES0855VD	PUES0855TR	PUES0855AZTR	PUES0855SL
10X6,5	PUES1065AZ	-	-	PUES1065GL	-	-	-	-
12X8	PUES1208AZ	PUES1208NE	-	PUES1208GL	-	-	-	-



CK

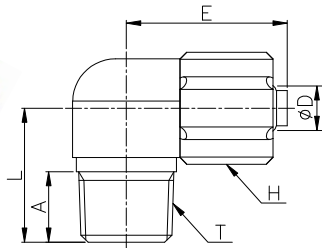
Male connector BSPT thread



CODE	ØD	T	L	A	H1	H2	GR.
CK04R01	4/2,5	R1/8"	24,5	8,0	10	12	2,0
CK06R01	6/4	R1/8"	28,5	7,0	12	13	3,0
CK06R02	6/4	R1/4"	30,5	9,0	12	15	4,0
CK08R01	8/5,5	R1/8"	30,0	9,0	14	14	5,0
CK08R02	8/5,5	R1/4"	29,0	9,0	14	17	5,0
CK08R03	8/5,5	R3/8"	31,7	10,2	14	19	6,0
CK10R02	10/6,5	R1/4"	33,4	9,2	17	17	7,0
CK10R03	10/6,5	R3/8"	34,9	10,2	17	19	7,0
CK12R02	12/8	R1/4"	39,0	9,2	19	17	9,0
CK12R03	12/8	R3/8"	41,2	10,2	19	19	9,0
CK12R04	12/8	R1/2"	45,0	15,0	19	22	13,0

GCK

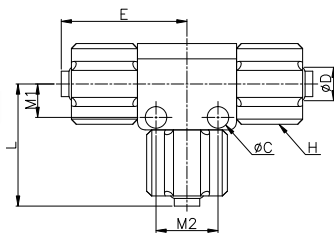
Male elbow BSPT thread



CODE	ØD	T	L	E	A	H	GR.
GCK04R01	4/2,5	R1/8"	16,5	16,0	8,0	12	3,0
GCK06R01	6/4	R1/8"	18,0	21,5	8,5	12	5,0
GCK06R02	6/4	R1/4"	18,7	23,5	9,0	12	7,0
GCK08R01	8/5,5	R1/8"	17,0	21,0	8,0	14	6,0
GCK08R02	8/5,5	R1/4"	19,0	22,5	10,0	14	8,0
GCK08R03	8/5,5	R3/8"	20,5	23,8	10,2	14	10,0
GCK10R02	10/6,5	R1/4"	22,0	24,1	12,0	17	10,0
GCK10R03	10/6,5	R3/8"	23,0	27,1	12,0	17	12,0
GCK12R02	12/8	R1/4"	23,0	32,2	11,0	19	14,0
GCK12R03	12/8	R3/8"	25,0	32,2	12,0	19	16,0
GCK12R04	12/8	R1/2"	28,0	34,0	15,0	19	19,0

FCK

Union Tee



CODE	ØD	L	E	ØC	M1	M2	H	GR.
FCK0400	4/2,5	19,0	18,0	2,5	5,7	9,5	10	4,0
FCK0600	6/4	24,3	24,2	4,3	5,7	11,2	12	11,0
FCK0800	8/5,5	24,1	24,8	4,3	6,6	12,2	14	14,0
FCK1000	10/6,5	30,0	27,0	4,3	8,3	13,4	17	24,0
FCK1200	12/8	36,9	34,0	4,3	9,3	13,7	19	26,0



PUSH-ON FITTINGS

BRASS

PLUS

**GREAT GRIPPING SYSTEM
WITH THE LOCKING NUT**

SUITABLE FOR DIFFERENT FLUIDS

**EASY TO BE USED AND EXTREMELY
STRONG**

MECHANICAL RESISTANCE





p. 171 / **2500**



p. 172 / **2502**



p. 172 / **2503**



p. 173 / **2505**



p. 173 / **2510**



p. 174 / **2511**



p. 174 / **2512**



p. 174 / **2513**



p. 175 / **2515**



p. 175 / **2520**



p. 175 / **2530**



p. 175 / **2535**



p. 176 / **2540**



p. 176 / **2542**



p. 176 / **2543**



p. 177 / **2548**



p. 177 / **2550**



p. 177 / **2553**



p. 178 / **2555**



p. 178 / **2560**



p. 179 / **2565**



p. 179 / **2570**



p. 179 / **2575**



p. 179 / **2580**



p. 180 / **251V**



p. 180 / **252V**



p. 180 / **2585**



p. 180 / **2595**



p. 181 / **2630**



p. 181 / **2610**



p. 181 / **2612**



p. 182 / **2615**

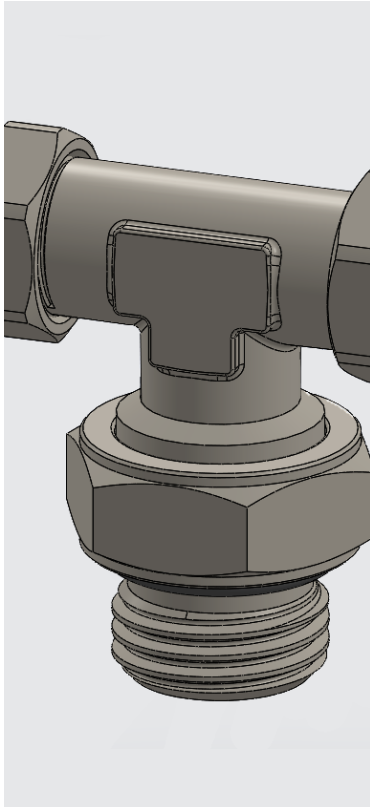


p. 182 / **2620**



p. 182 / **2625**





-20°C ÷ 100°C with o-ring in NBR
 -15°C ÷ +200°C with o-ring in viton
 The working temperature depends on the features of the selected tube.



18 Bar
 The working pressure depends on the features of the selected tube



Compressed air, water, oil and fluids suitable with construction materials



Taper gas BSPT ISO 7 from R1/8" to R1/2"
 Parallel gas BSPP ISO 228 from G1/8" to G1/2"
 Metric ISO R/262 M5, M6, M12



Polyurethane, Polyethylene, Polyamide, PTFE, FEP



Body: Nickel plated brass
 UNI EN 12164 CW 614N AND
 UNI EN12165 CW 617N

Lock nut: UNI EN 12164 CW 614N AND
O'Ring: NBR

- Available on demand and with minimum quantity in yellow brass.
- Available on demand O-Ring in Viton



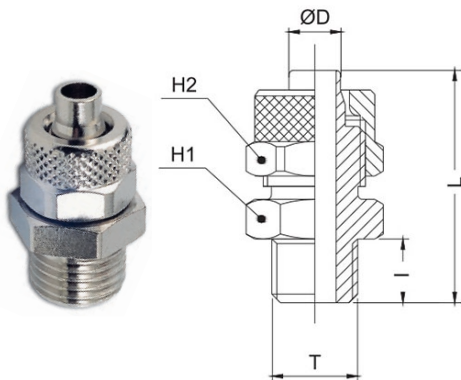
Products in compliance with the directive 2002/95/EC

RoHS2

Products in compliance with the directive 2011/65/EU

2500

Male connector BSPP thread

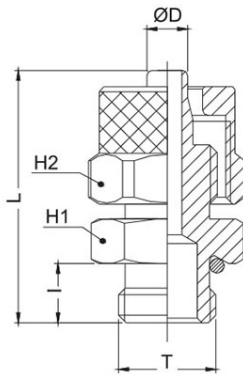


CODE	T	ØD	I	L	H1	H2	GR.
2500TR1853	G1/8"	5/3	6	23,0	14	8	10,0
2500TR1864	G1/8"	6/4	6	25,5	14	12	16,0
2500TR1464	G1/4"	6/4	8	28,0	17	12	24,0
2500TR3864	G3/8"	6/4	9	29,0	19	12	28,0
2500TR1886	G1/8"	8/6	6	25,5	14	14	18,0
2500TR1486	G1/4"	8/6	8	28,0	17	14	26,0
2500TR3886	G3/8"	8/6	9	29,0	19	14	28,0
2500TR18108	G1/8"	10/8	6	27,0	14	16	24,0
2500TR14108	G1/4"	10/8	8	29,5	17	16	30,0
2500TR38108	G3/8"	10/8	9	30,5	19	16	34,0
2500TR12108	G1/2"	10/8	10	32,0	24	16	44,0
2500TR381210	G3/8"	12/10	9	32,0	19	18	38,0
2500TR121210	G1/2"	12/10	10	33,5	24	18	48,0
2500TR1215125	G1/2"	15/12,5	10	35,5	24	22	60,0



2502

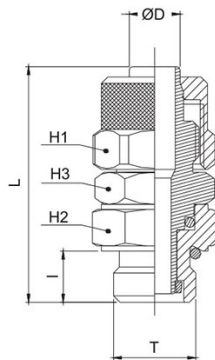
Male connector BSPP thread with OR



CODE	T	ØD	I	L	H1	H2	GR.
2502TR18427	G1/8"	4/2,7	6	21,8	13	8	10,0
2502TR1853	G1/8"	5/3	6	23,0	15	8	11,0
2502TR1864	G1/8"	6/4	6	25,5	13	12	16,0
2502TR1464	G1/4"	6/4	8	28,0	16	12	21,0
2502TR3864	G3/8"	6/4	9	29,0	19	12	26,0
2502TR1264	G1/2"	6/4	10	30,5	24	12	45,0
2502TR1886	G1/8"	8/6	6	25,5	14	14	18,0
2502TR1486	G1/4"	8/6	8	28,0	16	14	22,0
2502TR3886	G3/8"	8/6	9	29,0	19	14	31,0
2502TR1286	G1/2"	8/6	10	30,5	24	14	38,0
2502TR18108	G1/8"	10/8	6	27,5	14	16	24,0
2502TR14108	G1/4"	10/8	8	29,5	16	16	28,0
2502TR38108	G3/8"	10/8	9	30,5	19	16	32,0
2502TR12108	G1/2"	10/8	10	32,0	24	16	51,0
2502TR381210	G3/8"	12/10	9	32,0	19	18	36,0
2502TR121210	G1/2"	12/10	10	33,5	24	18	46,0
2502TR1215125	G1/2"	15/12,5	10	35,5	24	22	52,0

2503

Swivel male connector BSPP thread with OR

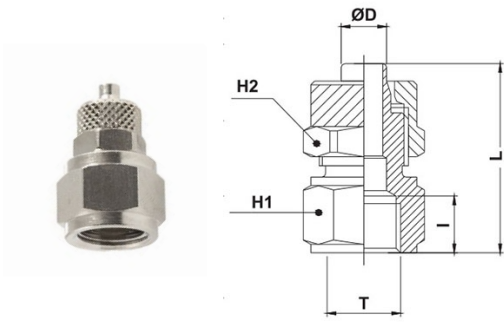


CODE	T	ØD	I	L	H1	H2	H3	GR.
2503TR1864	G1/8"	6/4	6	36,0	12	13	12	24,0
2503TR1464	G1/4"	6/4	8	37,5	12	16	14	30,0
2503TR1885	G1/8"	8/5	6	36,0	14	12	13	0,026
2503TR1485	G1/4"	8/5	8	37,5	14	14	16	0,032
2503TR1886	G1/8"	8/6	6	36,0	14	13	12	26,0
2503TR1486	G1/4"	8/6	8	37,5	14	16	14	32,0
2503TR141065	G1/4"	10/6,5	8	39	16	14	16	0,038
2503TR14108	G1/4"	10/8	8	39,0	16	16	14	38,0
2503TR38128	G3/8"	12/8	9	42	18	17	19	0,05
2503TR381210	G3/8"	12/10	9	42,0	18	19	17	52,0



2505

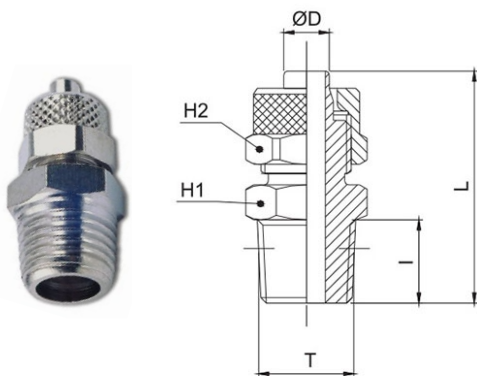
Female connector BSPP thread



CODE	T	ØD	I	L	H1	H2	GR.
2505TR18427	G1/8"	4/2,7	8,0	21,3	14	8	11,0
2505TR1853	G1/8"	5/3	8,0	22,5	14	8	12,0
2505TR1864	G1/8"	6/4	8,0	25,0	14	12	18,0
2505TR1464	G1/4"	6/4	11,0	29,0	17	12	26,0
2505TR3864	G3/8"	6/4	11,5	29,5	20	12	30,0
2505TR1886	G1/8"	8/6	8,0	25,0	14	14	20,0
2505TR1486	G1/4"	8/6	11,0	29,0	17	14	28,0
2505TR3886	G3/8"	8/6	11,5	29,5	20	14	32,0
2505TR1286	G1/2"	8/6	14	33	24	14	32,0
2505TR18108	G1/8"	10/8	8,0	26,5	14	16	24,0
2505TR14108	G1/4"	10/8	11,0	30,5	17	16	32,0
2505TR38108	G3/8"	10/8	11,5	31,0	20	16	36,0
2505TR12108	G1/2"	10/8	14,0	34,5	24	16	50,0
2505TR381210	G3/8"	12/10	11,5	32,5	20	18	40,0

2510

Male connector BSPT thread

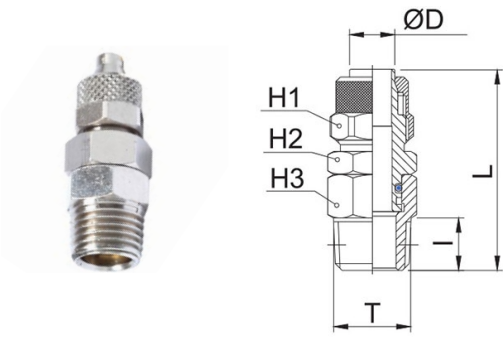


CODE	T	ØD	I	L	H1	H2	GR.
2510TR18427	R1/8"	4/2,7	8	23,8	12	8	10,0
2510TR1853	R1/8"	5/3	8,0	25,0	12	8	10,0
2510TR1864	R1/8"	6/4	8,0	27,5	12	12	16,0
2510TR1464	R1/4"	6/4	11,0	31,0	14	12	20,0
2510TR3864	R3/8"	6/4	11,5	31,5	17	12	26,0
2510TR1886	R1/8"	8/6	8,0	27,5	12	14	18,0
2510TR1486	R1/4"	8/6	11,0	31,0	14	14	22,0
2510TR3886	R3/8"	8/6	11,5	31,5	17	14	28,0
2510TR1286	R1/2"	8/6	14,0	34,5	22	14	44,0
2510TR18108	R1/8"	10/8	8,0	29,5	14	16	24,0
2510TR14108	R1/4"	10/8	11,0	32,5	14	16	28,0
2510TR38108	R3/8"	10/8	11,5	33,0	17	16	34,0
2510TR12108	R1/2"	10/8	14,0	36,0	22	16	46,0
2510TR381210	R3/8"	12/10	11,5	34,5	17	18	38,0
2510TR121210	R1/2"	12/10	14,0	37,5	22	18	50,0
2510TR1215125	R1/2"	15/12,5	14,0	39,5	22	22	62,0



2511

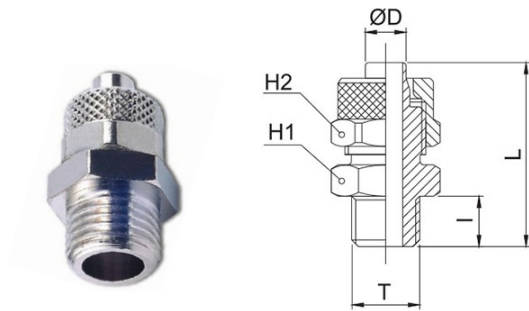
Swivel male connector BSPT thread



CODE	T	ØD	I	L	H1	H2	H3	GR.
2511TR1864	G1/8"	6/4	8	37,0	12	12	12	22,0
2511TR1464	G1/4"	6/4	11	40,0	12	14	14	28,0
2511TR1885	G1/8"	8/5	8	37	14	12	12	0,03
2511TR1485	G1/4"	8/5	11	40	14	14	14	0,032
2511TR1886	G1/8"	8/6	8	37,0	14	12	12	26,0
2511TR1486	G1/4"	8/6	11	40,0	14	14	14	30,0
2511TR141065	G1/4"	10/6,5	11	42	16	14	14	0,034
2511TR14108	G1/4"	10/8	11	42,0	16	14	14	34,0
2511TR38128	G3/8"	12/8	11,5	44	18	17	17	0,05
2511TR381210	G3/8"	12/10	11,5	44,0	18	17	17	50,0

2512

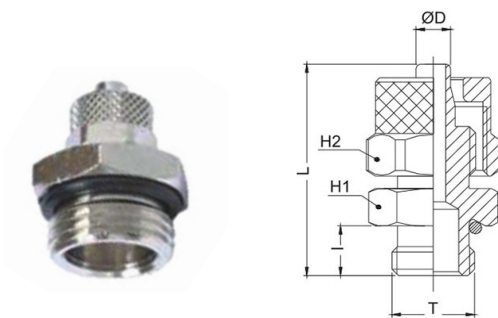
Male connector metric thread



CODE	T	ØD	I	L	H1	H2	GR.
2512TRM553	M5	5/3	4	20	8	8	4,0
2512TRM653	M6	5/3	5	21	8	8	6,0
2512TRM564	M5	6/4	4	21	8	9	6,0
2512TRM664	M6	6/4	5	22	8	9	6,0
2512TRM1212564	M12X1,25	6/4	8	28	17	12	22,0
2512TRM121564	M12X1,5	6/4	8	28	17	12	22,0
2512TRM1212586	M12X1,25	8/6	8	28	17	14	24,0
2512TRM121586	M12X1,5	8/6	8	28	17	14	24,0

2513

Male connector metric thread with OR

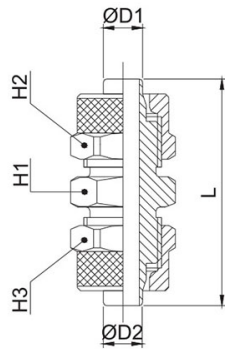


CODE	T	ØD	I	L	H1	H2	GR.
2513TRM5427	M5	4/2,7	4	20,0	8	8	6,0
2513TRM6427	M6	4/2,7	4	20,0	8	8	6,0
2513TRM553	M5	5/3	4	20,5	8	8	6,0
2513TRM653	M6	5/3	4	20,5	8	8	6,0
2513TRM564	M5	6/4	4	21,0	8	12	6,0
2513TRM664	M6	6/4	4	21,0	8	12	6,0
2513TRM12164	M12X1	6/4	8	28,0	15	12	20,0
2513TRM1212564	M12X1,25	6/4	8	28,0	15	12	20,0
2513TRM121564	M12X1,5	6/4	8	28,0	15	12	20,0
2513TRM1212586	M12X1,25	8/6	8	28,0	17	14	17,0
2513TRM121586	M12X1,5	8/6	8	28,0	17	14	17,0



2515

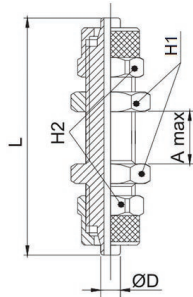
Union connector



CODE	ØD1	ØD2	L	H1	H2	H3	GR.
2515TR427	4/2,7	4/2,7	26,0	8	8	8	8,0
2515TR53	5/3	5/3	28,5	8	8	8	8,0
2515TR64	6/4	6/4	34,5	12	12	12	22,0
2515TR86	8/6	8/6	35,0	14	14	14	28,0
2515TR8664	8/6	6/4	35,0	14	14	12	26,0
2515TR108	10/8	10/8	38,0	14	16	16	36,0
2515TR1210	12/10	12/10	41,0	17	18	18	48,0
2515TR15125	15/12,5	15/12,5	45,5	22	22	22	78,0

2520

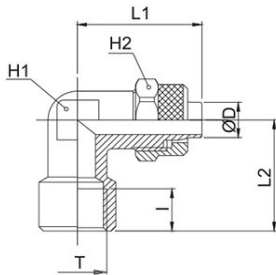
Bulkhead connector



CODE	ØD	L	A+	H1	H2	GR.
2520TR427	4/2,7	36,7	8,5	9	8	10,0
2520TR53	5/3	40,0	8,5	9	8	12,0
2520TR64	6/4	48,0	10,5	14	12	34,0
2520TR86	8/6	48,0	10,5	16	14	42,0
2520TR108	10/8	50,0	8,5	17	16	54,0
2520TR1210	12/10	53,0	8,5	19	18	76,0
2520TR15125	15/12,5	58,0	8,5	24	22	110,0

2530

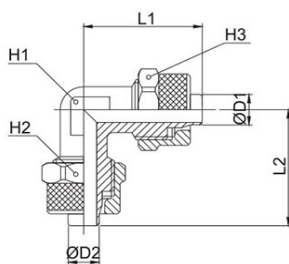
Female elbow BSPP thread



CODE	T	ØD	I	L1	L2	H1	H2	GR.
2530TR1853	G1/8"	5/3	8,0	21,5	19,0	10	8	16,0
2530TR1864	G1/8"	6/4	8,0	22,5	19,0	10	12	22,0
2530TR1464	G1/4"	6/4	10,5	25,0	23,0	11	12	36,0
2530TR1886	G1/8"	8/6	8,0	22,5	19,0	10	14	22,0
2530TR1486	G1/4"	8/6	10,5	25,0	23,0	11	14	32,0
2530TR14108	G1/4"	10/8	11,0	26,0	23,5	13	16	38,0
2530TR381210	G3/8"	12/10	11,5	30,5	28,0	17	18	60,0

2535

Union elbow connector

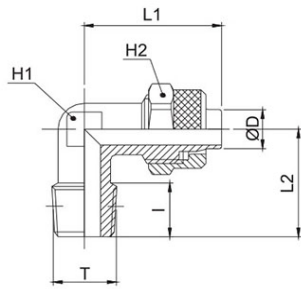


CODE	ØD1	ØD2	L1	L2	H1	H2	H3	GR.
2535TR427	4/2,7	4/2,7	20,3	20,3	8	8	8	11,0
2535TR53	5/3	5/3	21,5	21,5	8	8	8	12,0
2535TR64	6/4	6/4	21,5	21,5	8	12	12	20,0
2535TR86	8/6	8/6	22,5	22,5	10	14	14	28,0
2535TR8664	8/6	6/4	22,5	22,5	10	14	12	26,0
2535TR108	10/8	10/8	25,5	25,5	11	16	16	38,0
2535TR1210	12/10	12/10	30,0	30,0	14	18	18	56,0
2535TR15125	15/12,5	15/12,5	34,0	34,0	17	22	22	88,0



2540

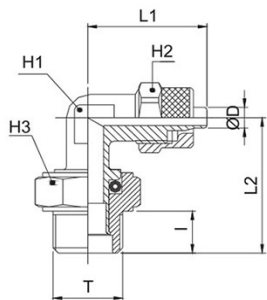
Male elbow BSPT thread



CODE	T	ØD	I	L1	L2	H1	H2	GR.
2540TR18427	R1/8"	4/2,7	8,0	19,5	17,0	8	8	10,0
2540TR1853	R1/8"	5/3	8,0	21,5	17,0	8	8	10,0
2540TR1864	R1/8"	6/4	8,0	22,5	17,0	8	12	16,0
2540TR1464	R1/4"	6/4	11,0	22,5	20,0	10	12	22,0
2540TR3864	R3/8"	6/4	11,5	23,5	22,5	11	12	30,0
2540TR1886	R1/8"	8/6	8,0	22,5	17,0	10	14	20,0
2540TR1486	R1/4"	8/6	11,0	22,5	20,0	10	14	24,0
2540TR3886	R3/8"	8/6	11,5	24,0	22,5	11	14	32,0
2540TR1286	R1/2"	8/6	14	28	26,5	17	14	37,0
2540TR18108	R1/8"	10/8	8,0	25,5	18,5	11	16	28,0
2540TR14108	R1/4"	10/8	11,0	25,5	21,5	11	16	32,0
2540TR38108	R3/8"	10/8	11,5	25,5	22,5	11	16	34,0
2540TR12108	R1/2"	10/8	14,0	28,0	28,0	17	16	56,0
2540TR141210	R1/4"	12/10	11,0	30,0	24,0	14	18	42,0
2540TR381210	R3/8"	12/10	11,5	30,0	24,5	14	18	48,0
2540TR121210	R1/2"	12/10	14,0	30,5	28,0	17	18	60,0
2540TR1215125	R1/2"	15/12,5	14,0	34,0	28,0	17	22	70,0

2542

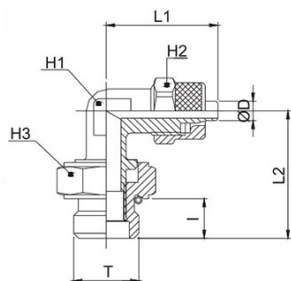
Swivel male elbow BSPP thread



CODE	T	ØD	I	L1	L2	H1	H2	H3	GR.
2542TR18427	G1/8"	4/2,7	6	21,5	22,5	8	12	14	18,0
2542TR1864	G1/8"	6/4	6	22,5	22,5	8	12	14	22,0
2542TR1464	G1/4"	6/4	8	23,5	25,0	10	12	17	34,0
2542TR1886	G1/8"	8/6	6	23,5	22,5	10	14	14	28,0
2542TR1486	G1/4"	8/6	8	23,5	25,0	10	14	17	36,0
2542TR14108	G1/4"	10/8	8	23,5	25,5	11	16	17	42,0

2543

Swivel male elbow BSPP thread with OR

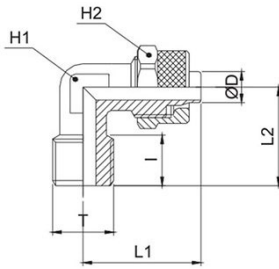


CODE	T	ØD	I	L1	L2	H1	H2	H3	GR.
2543TR18427	G1/8"	4/2,7	6	21,5	22,5	8	12	14	19,0
2543TR1864	G1/8"	6/4	6	22,5	22,5	8	12	14	23,0
2543TR1464	G1/4"	6/4	8	23,5	25,0	10	12	17	35,0
2543TR1886	G1/8"	8/6	6	23,5	22,5	10	14	14	29,0
2543TR1486	G1/4"	8/6	8	23,5	25,0	10	14	17	37,0
2543TR14108	G1/4"	10/8	8	23,5	25,5	11	14	17	43,0



2548

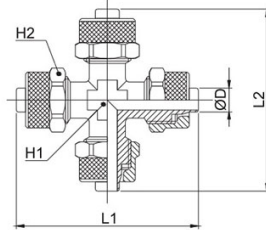
Male elbow metric thread



CODE	T	ØD	I	L1	L2	H1	H2	GR.
2548TRM5427	M5	4/2,7	4	19,5	15	8	8	10,0
2548TRM6427	M6	4/2,7	4	19,5	15	8	8	10,0
2548TRM553	M5	5/3	4	21,5	15	8	8	10,0
2548TRM564	M5	6/4	4	22,5	15	8	9	14,0
2548TRM1212564	M12X1,25	6/4	9	22,5	20,5	10	12	24,0
2548TRM121564	M12X1,5	6/4	9	22,5	20,5	10	12	22,0
2548TRM1212586	M12X1,25	8/6	9	22,5	20,5	10	14	24,0
2548TRM121586	M12X1,5	8/6	9	22,5	20,5	10	14	24,0

2550

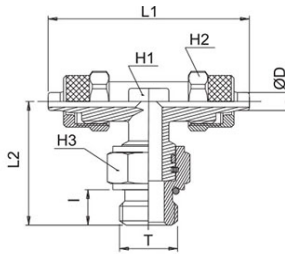
Cross junction connector



CODE	ØD	L1	L2	H1	H2	GR.
2550TR53	5/3	43	43	8	8	22,0
2550TR64	6/4	45	45	8	12	42,0
2550TR86	8/6	45	45	10	14	52,0
2550TR108	10/8	51	51	11	16	70,0

2553

Swivel male tee BSPP thread with OR

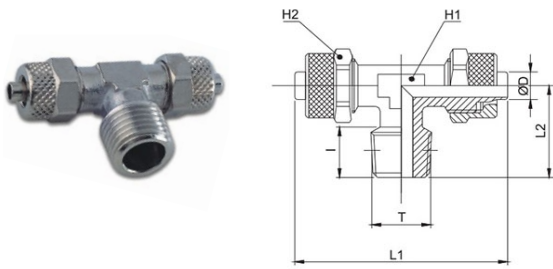


CODE	T	ØD	I	L1	L2	H1	H2	H3	GR.
2553TR18427	G1/8"	4/2,7	6	45,0	25,7	8	8	13	19,0
2553TR1864	G1/8"	6/4	6	45,0	25,7	8	12	13	23,0
2553TR1464	G1/4"	6/4	8	45,5	29,0	10	12	17	35,0
2553TR1886	G1/8"	8/6	6	45,5	26,0	10	14	13	29,0
2553TR1486	G1/4"	8/6	8	45,5	28,0	10	14	17	37,0
2553TR14108	G1/4"	10/8	8	51,0	29,0	11	16	17	43,0



2555

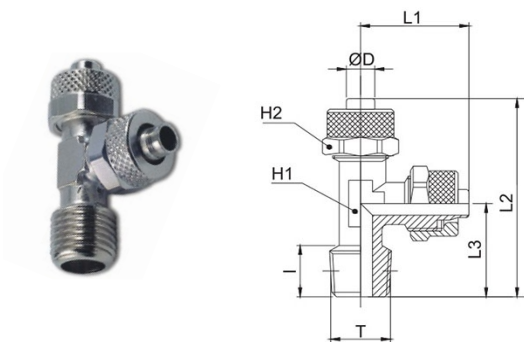
Male tee BSPT thread



CODE	T	ØD	I	L1	L2	H1	H2	GR.
2555TR18427	R1/8"	4/2,7	8,0	40,6	17,0	8	8	16,0
2555TRM553	M5	5/3	4,0	43,0	15,0	8	8	16,0
2555TR1853	R1/8"	5/3	8,0	43,0	17,0	8	8	16,0
2555TR1864	R1/8"	6/4	8,0	45,0	17,0	8	12	26,0
2555TR1464	R1/4"	6/4	11,0	45,5	20,5	10	12	34,0
2555TR3864	R3/8"	6/4	11,5	48,0	22,5	11	12	42,0
2555TR1886	R1/8"	8/6	8,0	45,5	17,5	10	14	34,0
2555TR1486	R1/4"	8/6	11,0	45,5	20,5	10	14	36,0
2555TR3886	R3/8"	8/6	11,5	48,0	22,5	11	14	44,0
2555TR18108	R1/8"	10/8	8,0	51,0	18,5	11	16	44,0
2555TR14108	R1/4"	10/8	11,0	51,0	21,5	11	16	48,0
2555TR38108	R3/8"	10/8	11,5	51,0	22,5	11	16	50,0
2555TR12108	R1/2"	10/8	14,0	57,0	28,0	17	16	80,0
2555TR381210	R3/8"	12/10	11,5	60,0	24,5	14	18	70,0
2555TR121210	R1/2"	12/10	14,0	61,0	28,0	17	18	86,0
2555TR1215125	R1/2"	15/12,5	14,0	68,0	28,0	17	22	108,0

2560

Lateral male tee BSPT thread

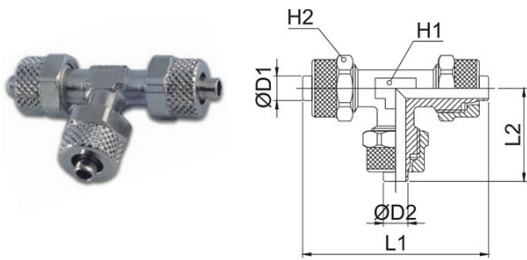


CODE	T	ØD	I	L1	L2	L3	H1	H2	GR.
2560TR18427	R1/8"	4/2,7	8,0	21,5	38,0	17,0	8	8	16,0
2560TRM553	M5	5/3	4,0	21,5	36,5	15,0	8	8	16,0
2560TR1853	R1/8"	5/3	8,0	21,5	38,5	17,0	8	8	16,0
2560TR1864	R1/8"	6/4	8,0	22,5	39,5	17,0	8	12	26,0
2560TR1464	R1/4"	6/4	11,0	22,7	42,5	20,0	10	12	34,0
2560TR3864	R3/8"	6/4	11,5	24,0	46,5	22,5	11	12	40,0
2560TR1886	R1/8"	8/6	8,0	22,7	40,5	17,5	10	14	34,0
2560TR1486	R1/4"	8/6	11,0	22,7	43,5	20,5	10	14	38,0
2560TR3886	R3/8"	8/6	11,5	24,0	46,5	22,5	11	14	44,0
2560TR18108	R1/8"	10/8	8,0	25,5	44,0	18,5	11	16	44,0
2560TR14108	R1/4"	10/8	11,0	25,5	46,5	21,0	11	16	48,0
2560TR38108	R3/8"	10/8	11,5	25,5	48,0	22,5	11	16	50,0
2560TR12108	R1/2"	10/8	14,0	30,5	57,0	28,0	17	16	76,0
2560TR381210	R3/8"	12/10	11,5	30,0	54,5	24,5	14	18	70,0
2560TR121210	R1/2"	12/10	14,0	30,5	58,5	28,0	17	18	86,0
2560TR1215125	R1/2"	15/12,5	14,0	34,0	62,0	28,0	17	22	108,0



2565

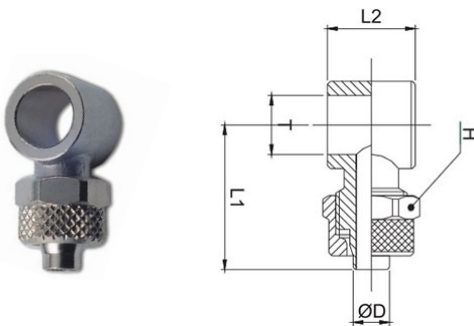
Union tee connector



CODE	ØD1	ØD2	L1	L2	H1	H2	GR.
2565TR427	4/2,7	4/2,7	40,6	20,3	8	8	16,0
2565TR53	5/3	5/3	43,0	21,5	8	8	16,0
2565TR64	6/4	6/4	45,0	22,5	8	12	32,0
2565TR86	8/6	8/6	45,0	22,5	10	14	42,0
2565TR8664	8/6	6/4	45,0	22,5	10	14	40,0
2565TR108	10/8	10/8	51,0	25,5	11	16	56,0
2565TR1210	12/10	12/10	60,0	30,0	14	18	78,0
2565TR15125	15/12,5	15/12,5	68,0	34,0	17	22	124,0

2570

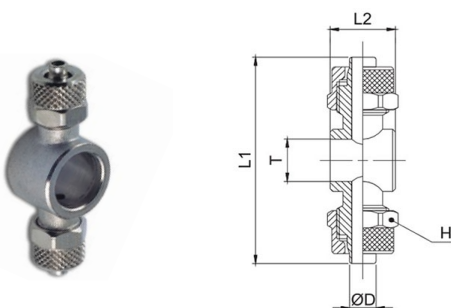
Single banjo body



CODE	T	ØD	L1	L2	H	GR.
2570TRM5427	M5	4/2,7	15,8	9,0	8	6,0
2570TRM6427	M6	4/2,7	15,8	9,0	8	6,0
2570TR18427	G1/8"	4/2,7	21,3	14,5	8	15,0
2570TRM553	M5	5/3	17,0	9,0	8	8,0
2570TR1853	G1/8"	5/3	22,5	14,5	8	14,0
2570TRM564	M5	6/4	18,0	9,0	9	8,0
2570TR1864	G1/8"	6/4	24,0	14,5	12	20,0
2570TR1464	G1/4"	6/4	26,0	14,5	12	24,0
2570TR1886	G1/8"	8/6	24,0	14,5	14	22,0
2570TR1486	G1/4"	8/6	26,0	14,5	14	26,0
2570TR14108	G1/4"	10/8	27,5	14,5	16	30,0

2575

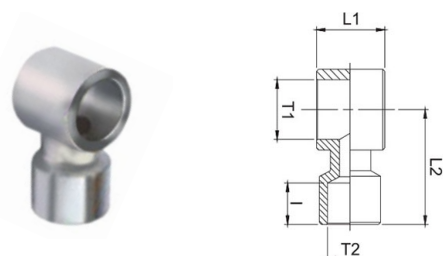
Double banjo body



CODE	T	ØD	L1	L2	H	GR.
2575TR18427	G1/8"	4/2,7	42,6	14,5	8	19,0
2575TR1853	G1/8"	5/3	45,0	14,5	8	20,0
2575TR1864	G1/8"	6/4	48,0	14,5	12	30,0
2575TR1464	G1/4"	6/4	52,0	14,5	12	34,0
2575TR1886	G1/8"	8/6	48,0	14,5	14	32,0
2575TR1486	G1/4"	8/6	52,0	14,5	14	38,0
2575TR14108	G1/4"	10/8	55,0	14,5	16	44,0

2580

Female single banjo body

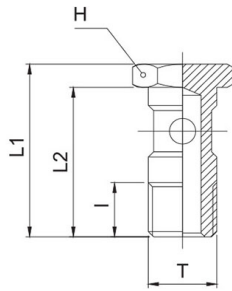


CODE	T1	T2	I	L1	L2	GR.
2580TR18	G1/8"	G1/8"	8,0	14,5	20,0	22,0
2580TR14	G1/4"	G1/4"	10,0	17,5	25,0	41,0
2580TR38	G3/8"	G3/8"	11,5	21,0	28,0	78,0



251V

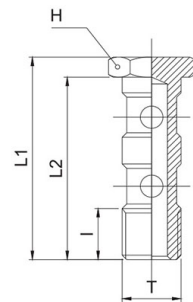
Single banjo stem



CODE	T	I	L1	L2	H	GR.
251VM5	M5	6	18,0	14,5	8	4,0
251VM6	M6	6	18,0	14,5	8	5,0
251V18	G1/8"	8	27,0	23,0	14	14,0
251V14	G1/4"	11	29,5	25,0	17	24,0

252V

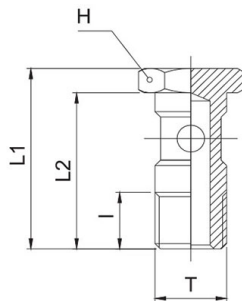
Double banjo stem



CODE	T	I	L1	L2	H	GR.
252V18	G1/8"	8	43,0	39,0	14	18,0
252V14	G1/4"	11	45,5	41,0	17	34,0

2585

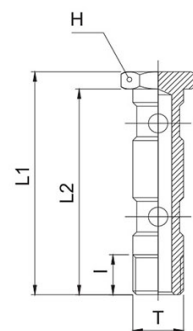
Long single banjo stem



CODE	T	I	L1	L2	H	GR.
2585TR18	G1/8"	8	31,0	27,0	14,0	16,0
2585TR14	G1/4"	11	33,5	29,0	17,0	26,0

2595

Long double banjo stem

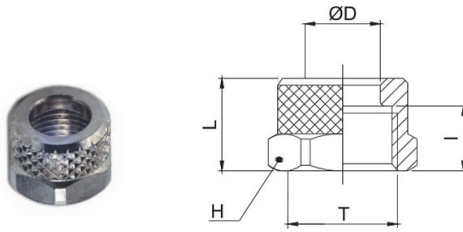


CODE	T	I	L1	L2	H	GR.
2595TR18	G1/8"	8	56,0	52,0	14	24,0
2595TR14	G1/4"	11	58,5	54,0	17	42,0



2630

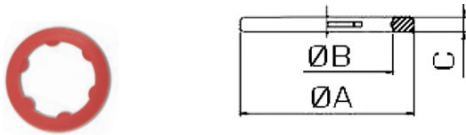
Locking nut



CODE	T	ØD	I	L	H	GR.
2630TRM605427	M6X0,5	4/2,7	6,0	8,1	8	1,50
2630TRM707553	M7X0,75	5/3	6,0	8,5	8	1,34
2630TRM807564	M8X0,75	6/4	6,5	9,0	9	1,51
2630TRM10164	M10X1	6/4	7,5	10,5	12	4,64
2630TRM12186	M12X1	8/6	7,5	10,5	14	5,57
2630TRM141108	M14X1	10/8	8,0	11,5	16	7,09
2630TRM1611210	M16X1	12/10	10,0	13,0	18	9,36
2630TRM20115125	M20X1	15/12,5	11,0	15,5	22	15,04

2610

Nylon notched washer



CODE	THREAD	A	B	C	GR.
2610TRM5	M5	8,0	5,2	1,3	2,0
2610TR18	G1/8"	14,0	10,0	2,0	26,0
2610TR14	G1/4"	18,0	13,5	2,0	42,0
2610TR38	G3/8"	21,0	16,8	2,0	28,0
2610TR12	G1/2"	26,0	21,1	2,0	38,0

2612

PVC washer

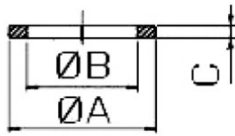


CODE	THREAD	D4	D1	H	GR.
2612TR18	G1/8"	14,0	10,0	1,5	18,0
2612TR14	G1/4"	17,5	13,5	1,5	18,0
2612TR38	G3/8"	21,0	16,7	1,5	18,0
2612TR12	G1/2"	26,0	21,3	1,5	18,0



2615

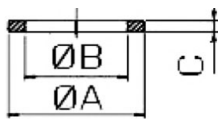
Nylon washer



CODE	THREAD	A	B	C	GR.
2615TRM5	M5	8,5	5,0	1,5	4,0
2615TR18	G1/8"	14,0	9,8	1,5	24,0
2615TR14	G1/4"	18,0	13,2	1,5	40,0
2615TR38	G3/8"	21,0	16,7	1,5	20,0
2615TR12	G1/2"	26,0	21,1	2,0	38,0
2615TR34	G3/4"	32,0	26,7	2,5	62,0

2620

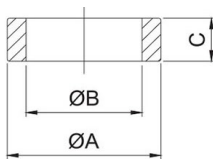
Aluminum washer



CODE	THREAD	A	B	C	GR.
2620TR18	G1/8"	14,0	10,0	1,5	58,0
2620TR14	G1/4"	17,3	13,3	1,5	76,0
2620TR38	G3/8"	21,0	16,9	1,5	46,0
2620TR12	G1/2"	26,0	21,1	1,5	70,0

2625

Nylon spacer



CODE	THREAD	ØA	ØB	C	GR.
2625TR18	1/8"	14,0	10,0	5,0	52,0
2625TR14	1/4"	17,5	13,2	5,0	66,0

THIS SPACER IS USED ON STEMS 2585 AND 2595.



PUSH-ON FITTINGS

POLYPROPYLENE

PLUS

**GREAT GRIPPING SYSTEM WITH
THE LOCKING NUT**

**EASY TO BE USED AND EXTREMELY
STRONG**

**SUITABLE FOR FOOD & WATER
CONTACT**

HIGH CHEMICAL RESISTANCE





p. 186 / **2105**



p. 186 / **2110**



p. 186 / **2115**



p. 187 / **2130**



p. 187 / **2135**



p. 187 / **2140**



p. 187 / **2150**



p. 188 / **2155**



p. 188 / **2160**



p. 188 / **2165**



p. 188 / **2230**



p. 189 / **2105N**



p. 189 / **2110N**



p. 189 / **2115N**



p. 189 / **2135N**



p. 190 / **2140N**



p. 190 / **2155N**

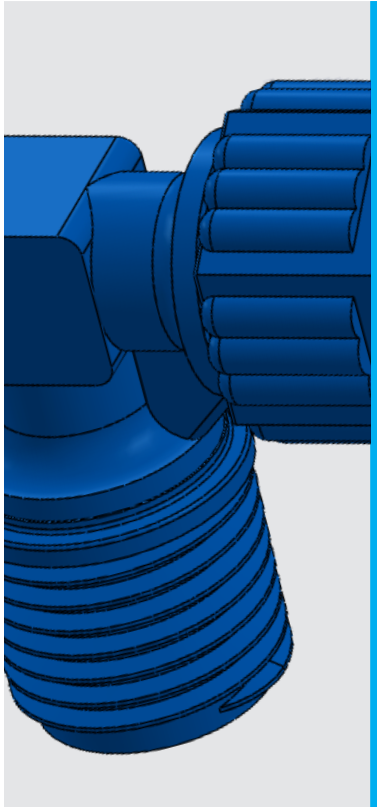







p. 190 / **2160N**





p. 190 / **2165N**





-  +4°C ÷ +90°C
Subject to applications
-  Up to 14 Bar at 20°C
-  Compressed air, water and fluids
suitable with construction materials
-  Taper gas BSPT ISO 7
from R1/8" to R3/4"
-  Polyurethane, Polyethylene,
Polyamide

 **Body:** Fiberglass reinforced polypropylene
 **Lock nut:** Fiberglass reinforced polypropylene

 **REACH** Products in compliance with the directive 2002/95/EC

RoHS2 Products in compliance with the directive 2011/65/EU



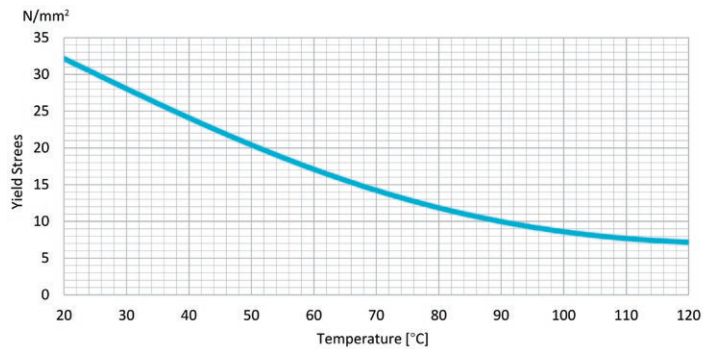
PRECAUTIONS

- The products are made in plastic and it's necessary to use teflon coating over the thread for installation in order and to prevent air leakage.
Be sure to prevent excessive torque when screwing the fittings.
- To connect the tube, insert the tube to the end and tight the cap before use.
- Cut the pressed part of the tube before connection to reuse the released tube

RECOMMENDED TIGHTENING TORQUE

THREAD SIZE	NM	FT LB
1/8	0,01	0,01
1/4	0,3	0,2
3/8	1	1
1/2	2	2
3/4	5	4
1	8	6

YIELD STRESS OF PP AS A FUNCTION OF TEMPERATURE



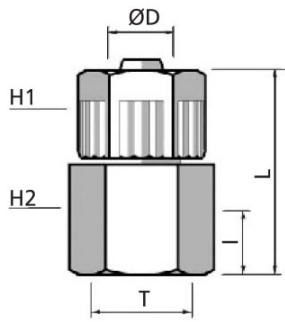
MEASURES BARB

Ø	MM	Ø	MM
Ø6	6,2	Ø1/4	6,2
Ø8	7,2	Ø5/16	7,2
Ø10	9,2	Ø3/8	9,2
Ø12	12	Ø1/2	12



2105

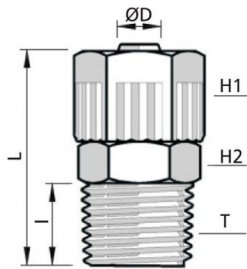
Female connector BSPT thread



CODE	ØD	T	I	L	H1	H2	GR.
2105TR186	6/4	R1/8"	10,0	26,3	14	14	3,0
2105TR146	6/4	R1/4"	11,0	28,0	14	17	3,0
2105TR188	8/5,5	R1/8"	9,5	26,3	14	14	3,0
2105TR148	8/5,5	R1/4"	11,0	28,0	14	17	4,0
2105TR388	8/5,5	R3/8"	11,2	30,5	14	22	5,0
2105TR128	8/5,5	R1/2"	13,5	32,5	14	26	6,0
2105TR1410	10/7	R1/4"	10,0	32,0	17	17	6,0
2105TR3810	10/7	R3/8"	11,0	33,0	17	22	7,0
2105TR1210	10/7	R1/2"	13,8	35,5	17	26	7,0

2110

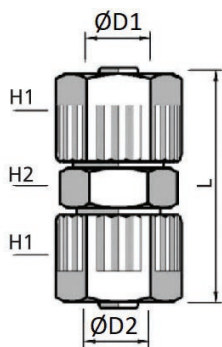
Male connector BSPT thread



CODE	ØD	T	I	L	H1	H2	GR.
2110TR186	6/4	R1/8"	8,0	27,0	14	13	3,0
2110TR146	6/4	R1/4"	10,5	30,0	14	15	3,0
2110TR386	6/4	R3/8"	10,5	27,0	14	18	4,5
2110TR126	6/4	R1/2"	13,0	31,5	14	22	6,0
2110TR346	6/4	R3/4"	9,0	23,0	14	27	8,0
2110TR188	8/5,5	R1/8"	8,0	27,0	14	13	3,0
2110TR148	8/5,5	R1/4"	10,5	30,0	14	15	3,0
2110TR388	8/5,5	R3/8"	10,5	31,5	14	18	4,0
2110TR128	8/5,5	R1/2"	13,0	34,0	14	22	5,0
2110TR348	8/5,5	R3/4"	9,0	27,5	14	27	8,0
2110TR1410	10/7	R1/4"	10,5	36,0	17	17	4,0
2110TR3810	10/7	R3/8"	10,5	36,0	17	17	5,0
2110TR1210	10/7	R1/2"	12,0	39,0	17	22	6,0
2110TR3410	10/7	R3/4"	13,0	40,0	17	27	6,0
2110TR1412	12/9	R1/4"	10,5	34,0	19	14	6,0
2110TR3812	12/9	R3/8"	10,5	36,0	19	18	7,0
2110TR1212	12/9	R1/2"	12,5	37,0	19	22	7,0
2110TR3412	12/9	R3/4"	13,0	34,0	19	27	8,0

2115

Union connector

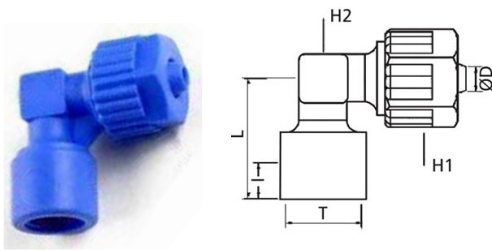


CODE	ØD	L	H1	H2	GR.
2115TR6	6/4	32,5	14	14	4,0
2115TR8	8/5,5	32,5	14	14	4,0
2115TR12	12/9	40,6	19	18	8,0
2115TR86	8/5,5-6/4	32,5	14	14	4,0



2130

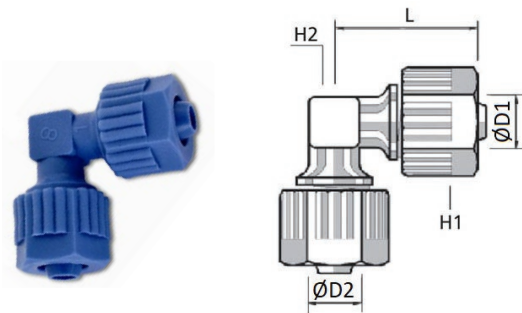
Female elbow BSPT thread



CODE	ØD	T	I	L	H1	H2	GR.
2130TR186	6/4	R1/8"	10,5	19,5	14	9	5,0
2130TR146	6/4	R1/4"	12,3	22,5	14	9	5,0
2130TR148	8/5,5	R1/4"	12,3	22,5	14	9	6,0

2135

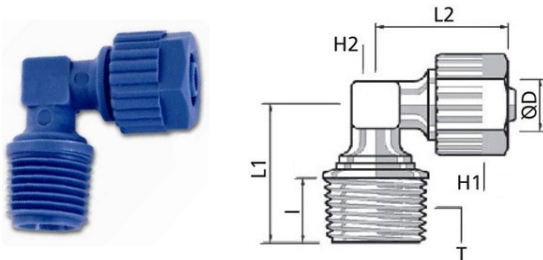
Union elbow



CODE	ØD	L	H1	H2	GR.
2135TR6	6/4	23,3	14	8	4,0
2135TR8	8/5,5	23,5	14	8	4,0
2135TR12	12/9	32,0	19	15	10,0
2135TR86	8/6	23,3	14	8	4,39

2140

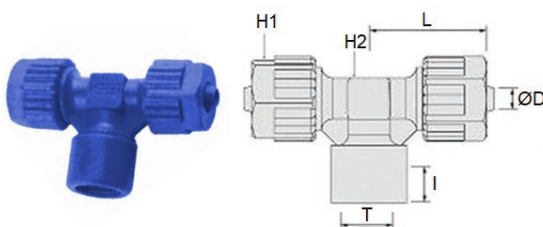
Male elbow BSPT thread



CODE	ØD	T	I	L1	L2	H1	H2	GR.
2140TR186	6/4	R1/8"	8,0	18,5	22,5	14	8	2,0
2140TR146	6/4	R1/4"	10,0	23,0	22,5	14	8	3,0
2140TR188	8/5,5	R1/8"	8,5	18,5	23,0	14	8	3,0
2140TR148	8/5,5	R1/4"	11,0	23,0	23,0	14	8	3,0
2140TR388	8/5,5	R3/8"	11,0	23,5	23,0	14	8	5,0
2140TR1412	12/9	R1/4"	10,0	24,0	33,0	19	15	7,0
2140TR3812	12/9	R3/8"	10,0	24,5	33,0	19	15	6,0
2140TR1212	12/9	R1/2"	13,0	28,5	33,0	19	15	9,0

2150

Female tee BSPT thread

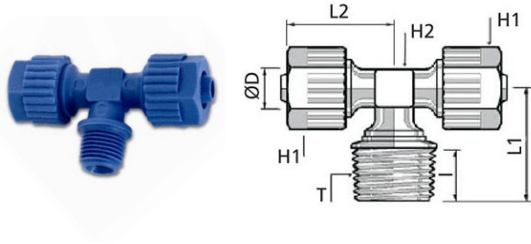


CODE	ØD	T	I	L	H1	H2	GR.
2150TR186	6,2	R1/8"	10,2	23,3	14	8	5,82
2150TR148	7,2	R1/4"	12,5	23,3	14	8	5,82



2155

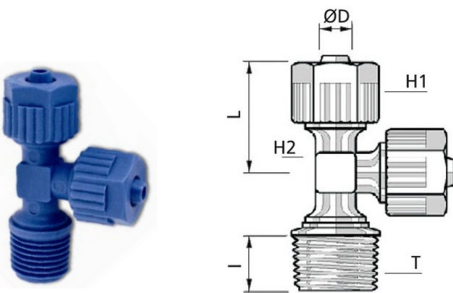
Male tee BSPT thread



CODE	ØD	T	I	L1	L2	H1	H2	GR.
2155TR186	6/4	R1/8"	9,0	19,0	23,3	14	8	6,0
2155TR146	6/4	R1/4"	11,0	21,0	23,3	14	8	6,0
2155TR188	8/5,5	R1/8"	9,0	19,0	23,3	14	8	5,0
2155TR148	8/5,5	R1/4"	11,0	21,0	23,3	14	8	6,0
2155TR388	8/5,5	R3/8"	11,0	21,0	23,3	14	8	7,0
2155TR1412	12/9	R1/4"	11,0	21,0	23,3	14	8	12,0
2155TR3812	12/9	R3/8"	10,7	24,5	33,5	19	15	14,0
2155TR1212	12/9	R1/2"	15,0	28,5	33,0	19	15	15,0

2160

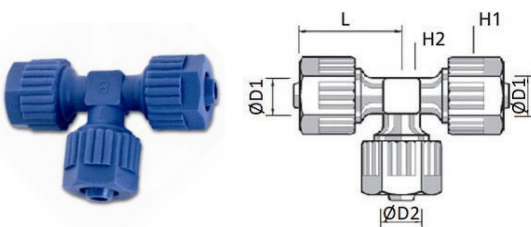
Lateral male tee BSPT thread



CODE	ØD	T	I	L	H1	H2	GR.
2160TR186	6/4	R1/8"	8,5	23,3	14	8	5,0
2160TR146	6/4	R1/4"	11,0	23,3	14	8	5,0
2160TR188	8/5,5	R1/8"	8,5	23,3	14	8	5,0
2160TR148	8/5,5	R1/4"	11,0	23,3	14	8	5,0
2160TR388	8/5,5	R3/8"	10,0	23,3	14	8	7,0
2160TR1412	12/9	R1/4"	10,0	33,0	19	15	12,0
2160TR3812	12/9	R3/8"	11,0	33,0	19	15	14,0
2160TR1212	12/9	R1/2"	15,0	33,0	19	15	15,0

2165

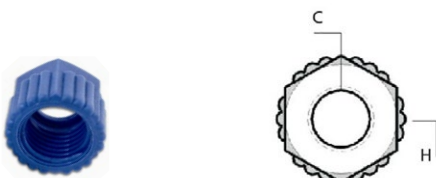
Union tee connector



CODE	ØD	L	H1	H2	GR.
2165TR6	6/4	22,0	14	8	7,0
2165TR8	8/5,5	22,0	14	8	5,0
2165TR12	12/9	32,0	19	14	14,0
2165TR68	6/8	46,8	-	-	6,48
2165TR86	8/6	46,8	-	-	6,41

2230

Locking nut

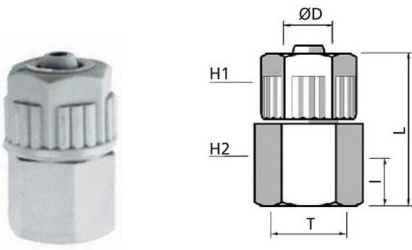


CODE	ØD	ØC	H	GR.
2230TR6	6/4	6,2	14	1,0
2230TR8	8/5,5	8,1	14	2,0
2230TR10	10/7	10,2	17	3,0
2230TR12	12/9	12,8	19	4,0



2105N

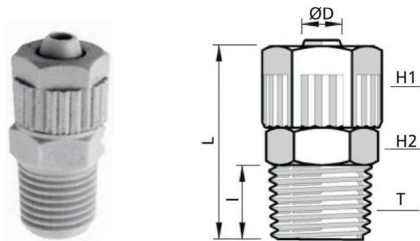
Female connector NPT thread



CODE	T	ØD	I	L	H1	H2	GR.
2105TRN1814	N1/8"	1/4	13,8	35,5	14	14	3,11
2105TRN18516	N1/8"	5/16	13,8	35,5	14	14	3,1
2105TRN14516	N1/4"	5/16	13,8	35,5	14	17	3,85
2105TRN1438	N1/4"	3/8	13,8	35,5	17	17	5,09
2105TRN3838	N3/8"	3/8	-	-	17	22	6,19
2105TRN1238	N1/2"	3/8	-	-	17	26	7,92

2110N

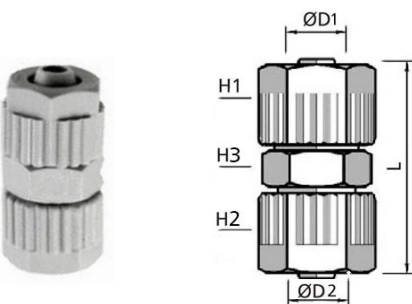
Male connector NPT thread



CODE	T	ØD	I	L	H1	H2	GR.
2110TRN1814	N1/8"	1/4	8,5	29,5	14	13	2,56
2110TRN1414	N1/4"	1/4	13	34	14	15	3,33
2110TRN1214	N1/2"	1/4	18	-	14	22	6,76
2110TRN18516	N1/8"	5/16	8,5	29,3	14	13	2,71
2110TRN14516	N1/4"	5/16	13	34	14	15	3,07
2110TRN38516	N3/8"	5/16	13	35	14	18	4,17
2110TRN1438	N1/4"	3/8	13	37,5	17	15	4,39
2110TRN3838	N3/8"	3/8	13	38,5	17	18	5,55
2110TRN1238	N1/2"	3/8	18	43,5	17	22	7,63
2110TRN3438	N3/4"	3/8	-	-	17	27	10,12
2110TRN1412	N1/4"	1/2	13	39	19	15	5,11
2110TRN3812	N3/8"	1/2	13	40	19	18	6,18
2110TRN1212	N1/2"	1/2	18	45	19	22	8,34

2115N

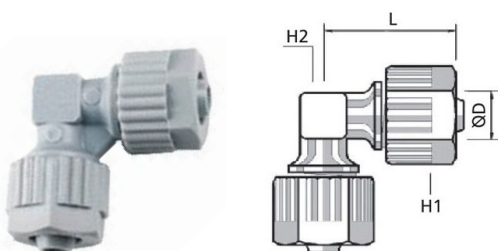
Union connector NPT thread



CODE	ØD1	ØD2	T	L	H1	H2	H3	GR.
2115TRN14	1/4	1/4	R1/4"	32,5	14	14	14	4,14
2115TRN516	5/16	5/16	R5/16"	32,5	14	14	14	4,09
2115TRN12	1/2	1/2	R1/2"	40,6	19	19	18	8,26

2135N

Union elbow connector

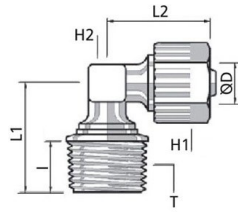


CODE	ØD	L	H1	H2	GR.
2135TRN14	1/4	23,3	14	8	4,48
2135TRN516	5/16	23,5	14	8	4,35



2140N

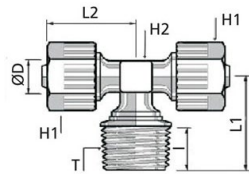
Male elbow NPT thread



CODE	T	ØD	I	L1	L2	H1	H2	GR.
2140TRN1814	N1/8"	1/4	10	19,5	22,5	14	8	3,2
2140TRN1414	N1/4"	1/4	12,5	23,3	22,5	14	8	3,83
2140TRN18516	N1/8"	5/16	12,5	23,5	22,5	14	8	3,13
2140TRN14516	N1/4"	5/16	10	19,5	22,5	14	8	3,81

2155N

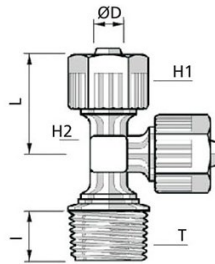
Male tee NPT thread



CODE	T	ØD	I	L1	L2	H1	H2	GR.
2155TRN1814	N1/8"	1/4	10	20,3	23,3	14	8	5,25
2155TRN1414	N1/4"	1/4	12,5	25	23,3	14	8	5,74
2155TRN18516	N1/8"	5/16	10	20,3	23,3	14	8	5,17
2155TRN14516	N1/4"	5/16	12,5	25	23,3	14	8	5,81
2155TRN3812	N3/8"	1/2	14	30,2	67	19	15	13,06
2155TRN1212	N1/2"	1/2	17,5	33	67	19	15	13,79

2160N

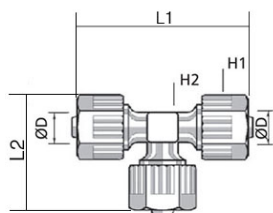
Lateral male tee NPT thread



CODE	T	ØD	I	L	H1	H2	GR.
2160TRN1814	N1/8"	1/4	-	-	14	8	5,28
2160TRN1414	N1/4"	1/4	-	-	14	8	5,88
2160TRN18516	N1/8"	5/16	10	21,9	14	8	5,04
2160TRN14516	N1/4"	5/16	13,3	22,3	14	8	5,62
2160TRN1812	N1/8"	1/2	-	-	14	8	12,42

2165N

Union tee



CODE	ØD	L1	L2	H1	H2	GR.
2165TRN14	1/4	46,7	27,4	14	-	6,52
2165TRN516	5/16	46,7	27,4	14	-	6,29
2165TRN12	1/2	67,0	40,4	19	-	14,84



PUSH-ON FITTINGS

PVDF

PLUS

**GREAT GRIPPING SYSTEM WITH
THE LOCKING NUT**

GREAT TEMPERATURE RANGE

**EASY TO BE USED AND EXTREMELY
STRONG**

**VERY STRONG RESISTANT FROM TUBE
PULL OUT**

HIGH CORROSIVE CHEMICALS





p. 194 / **2900**



p. 194 / **2905**



p. 194 / **2910**



p. 195 / **2915**



p. 195 / **2930**



p. 195 / **2935**



p. 195 / **2940**



p. 196 / **2950**



p. 196 / **2955**



p. 196 / **2960**



p. 196 / **2965**

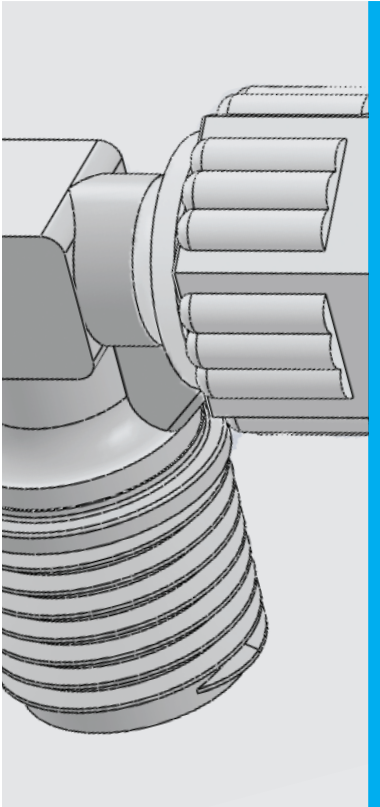







p. 197 / **2970**






p. 197 / **2230**





-  -20°C ÷ +120°C
Subject to applications
-  Up to 14 Bar at 20°C
-  Compressed air, water and fluids
suitable with construction materials
-  Taper gas BSPT ISO 7
from R1/8" to R3/4"
-  Polyurethane, Polyethylene,
Polyamide, PTFE , FEP

-  **Body:** Polyvinylidene flouride (PVDF)
 **Lock nut:** Polypropylene
 **O'ring:** Silicon

Available on demand
also for inch size & NPT thread

-   **REACH** Products in compliance with
the directive 2002/95/EC

RoHS2 Products in compliance with
the directive 2011/65/EU



PRECAUTIONS

- The products are made in plastic and it's necessary to use teflon coating over the thread for installation in order and to prevent air leakage.
Be sure to prevent excessive torque when screwing the fittings.
- To connect the tube, insert the tube to the end and tight the cap before use.
- Cut the pressed part of the tube before connection to reuse the released tube

RECOMMENDED TIGHTENING TORQUE

THREAD SIZE	NM	FT LB
1/8	0,1	0,07
1/4	1	0,8
3/8	5	3
1/2	8	6
3/4	16	12

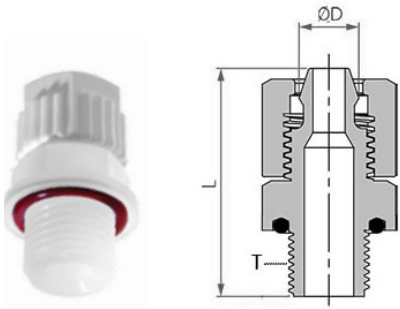
MEASURES BARB

Ø	MM
Ø6	6,2
Ø8	7,2
Ø10	9,2
Ø12	12



2900

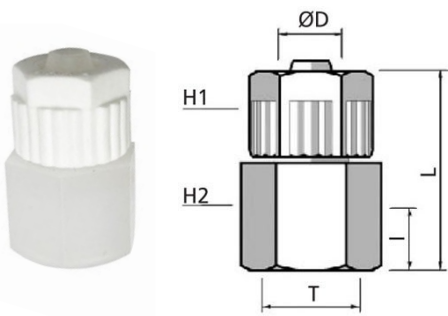
Male connector BSPP thread with O-Ring



CODE	ØD	T	L	GR.
2900TR186	6/4	G1/8"	27,2	4,14
2900TR146	6/4	G1/4"	30,9	5,37
2900TR188	8/5,5	G1/8"	27,3	4,09
2900TR148	8/5,5	G1/4"	31,1	5,9
2900TR1810	10/7	G1/8"	27,2	-
2900TR1410	10/7	G1/4"	31,0	-

2905

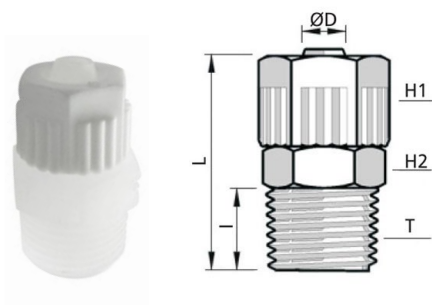
Female connector BSPT thread



CODE	ØD	T	I	L	H1	H2	GR.
2905TR186	6/4	R1/8"	10,0	26,3	14	14	3,0
2905TR146	6/4	R1/4"	11,0	28,0	14	17	3,0
2905TR188	8/5,5	R1/8"	9,0	26,3	14	14	3,0
2905TR148	8/5,5	R1/4"	11,0	28,0	14	17	4,0
2905TR388	8/5,5	R3/8"	11,2	30,5	14	22	5,0
2905TR128	8/5,5	R1/2"	13,5	32,5	14	26	6,0
2905TR1410	10/7	R1/4"	10,0	32,0	17	17	6,0
2905TR3810	10/7	R3/8"	11,0	33,5	17	22	7,0
2905TR1210	10/7	R1/2"	13,8	35,5	17	26	7,0

2910

Male connector BSPT thread

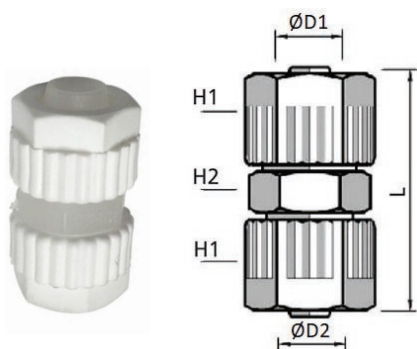


CODE	ØD	T	I	L	H1	H2	GR.
2910TR186	6/4	R1/8"	8,0	27,0	14	13	3,0
2910TR146	6/4	R1/4"	10,5	30,0	14	15	3,0
2910TR386	6/4	R3/8"	10,5	27,0	14	18	6,48
2910TR126	6/4	R1/2"	13,0	31,5	14	22	6,0
2910TR346	6/4	R3/4"	9,0	23,0	14	27	8,0
2910TR188	8/5,5	R1/8"	8,0	27,0	14	13	3,0
2910TR148	8/5,5	R1/4"	10,5	30,0	14	15	3,0
2910TR388	8/5,5	R3/8"	10,5	31,5	14	18	4,0
2910TR128	8/5,5	R1/2"	13,0	34,0	14	22	5,0
2910TR348	8/5,5	R3/4"	9,0	27,5	14	27	8,0
2910TR1410	10/7	R1/4"	10,5	36,0	17	17	4,0
2910TR3810	10/7	R3/8"	10,5	36,0	17	17	5,0
2910TR1210	10/7	R1/2"	12,0	39,0	17	22	6,0
2910TR3410	10/7	R3/4"	13,0	40,0	17	27	6,0
2910TR1412	12/9	R1/4"	10,5	34,0	19	14	6,0
2910TR3812	12/9	R3/8"	10,5	36,0	19	18	7,0
2910TR1212	12/9	R1/2"	12,5	37,0	19	22	7,0
2910TR3412	12/9	R3/4"	13,0	34,0	19	27	15,64



2915

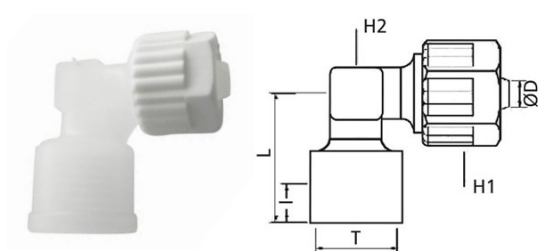
Union connector



CODE	ØD1	ØD2	L	H1	H2	GR.
2915TR6	6/4	6/4	32,5	14	14	4,0
2915TR8	8/5,5	8/5,5	32,5	14	14	4,0
2915TR12	12/9	12/9	40,6	19	18	8,0
2915TR86	8/5,5	6/4	32,5	14	14	4,0

2930

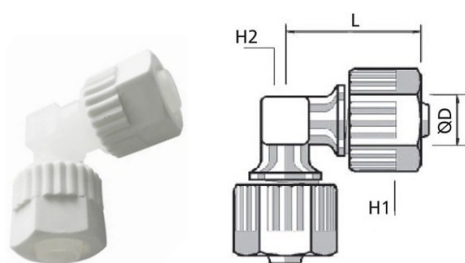
Female elbow BSPT thread



CODE	ØD	T	I	L	H1	H2	GR.
2930TR186	6/4	R1/8"	10,5	19,5	14	9	5,0
2930TR146	6/4	R1/4"	12,3	22,5	14	9	5,0
2930TR148	8/5,5	R1/4"	12,3	22,5	14	9	6,0

2935

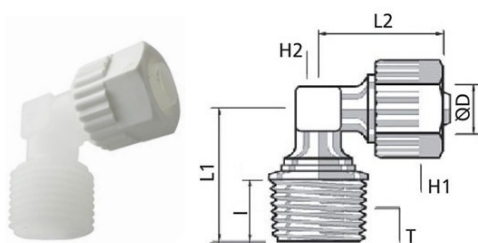
Union elbow



CODE	ØD	L	H1	H2	GR.
2935TR6	6/4	23,3	14	8	4,0
2935TR8	8/5,5	23,5	14	8	4,0
2935TR12	12/9	32,0	19	15	10,0

2940

Male elbow BSPT thread

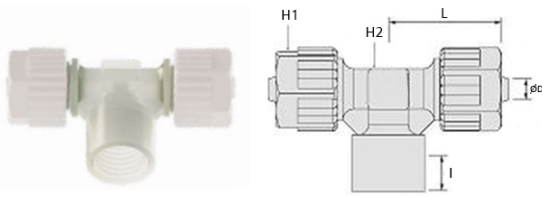


CODE	ØD	T	I	L1	L2	H1	H2	GR.
2940TR186	6/4	R1/8"	8,0	18,5	22,5	14	8	2,0
2940TR146	6/4	R1/4"	10,0	23,0	22,5	14	8	3,0
2940TR188	8/5,5	R1/8"	8,5	18,5	23,0	14	8	3,0
2940TR148	8/5,5	R1/4"	11,0	23,0	23,0	14	8	3,0
2940TR388	8/5,5	R3/8"	11,0	23,5	23,0	14	8	5,0
2940TR1412	12/9	R1/4"	10,0	24,0	33,0	19	15	7,0
2940TR3812	12/9	R3/8"	10,0	24,5	33,0	19	15	6,0
2940TR1212	12/9	R1/2"	13,0	28,5	33,0	19	15	9,0



2950

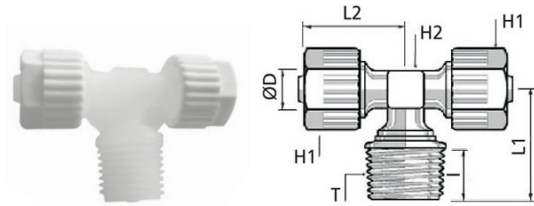
Tee female BSPT thread



CODE	ØD	T	I	L	H1	H2	GR.
2950TR186	6/4	R1/8"	10,2	23,3	14	8	8,16
2950TR148	8/5,5	R1/4"	12,5	23,3	14	8	8,7

2955

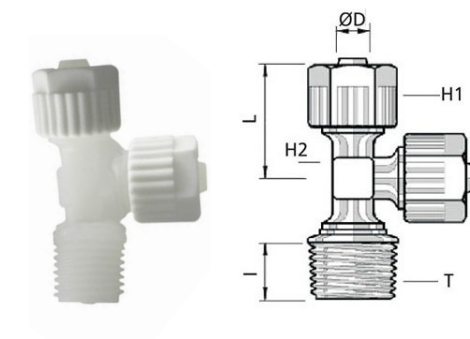
Male tee BSPT thread



CODE	ØD	T	I	L1	L2	H1	H2	GR.
2955TR186	6/4	R1/8"	9,0	19,0	23,3	14	8	6,0
2955TR146	6/4	R1/4"	11,0	21,0	23,3	14	8	6,0
2955TR188	8/5,5	R1/8"	9,0	19,0	23,3	14	8	5,0
2955TR148	8/5,5	R1/4"	11,0	21,0	23,3	14	8	6,0
2955TR388	8/5,5	R3/8"	11,0	21,0	23,3	14	8	7,0
2955TR1412	12/9	R1/4"	11,0	21,0	23,3	14	8	12,0
2955TR3812	12/9	R3/8"	10,7	24,5	33,5	19	15	14,0
2955TR1212	12/9	R1/2"	15,0	28,5	33,0	19	15	15,0

2960

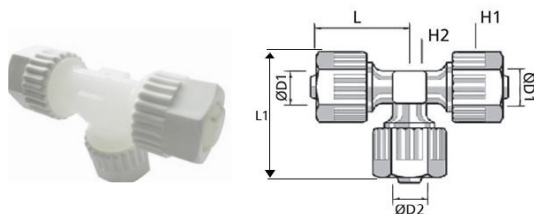
Lateral male tee BSPT thread



CODE	ØD	T	I	L	H1	H2	GR.
2960TR186	6/4	R1/8"	8,5	23,3	14	8	5,0
2960TR146	6/4	R1/4"	11,0	23,3	14	8	5,0
2960TR188	8/5,5	R1/8"	8,5	23,3	14	8	5,0
2960TR148	8/5,5	R1/4"	11,0	23,3	14	8	5,0
2960TR388	8/5,5	R3/8"	10,0	23,3	14	8	7,0
2960TR1412	12/9	R1/4"	10,0	33,0	19	15	12,0
2960TR3812	12/9	R3/8"	11,0	33,0	19	15	14,0
2960TR1212	12/9	R1/2"	15,0	33,0	19	15	15,0

2965

Union tee

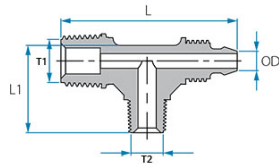


CODE	ØD1	ØD2	L	L1	H1	H2	GR.
2965TR6	6/4	6/4	22,0	27,5	14	8	7,0
2965TR8	8/5,5	8/5,5	22,0	27,5	14	8	5,0
2965TR12	12/9	12/9	32,0	40,4	19	14	14,0
2965TR68	6/4	8/5,5	46,8	27,4	-	-	8,73
2965TR86	8/5,5	6/4	46,8	27,4	-	-	8,96



2970

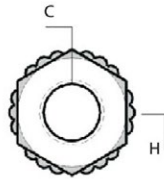
Lateral tee male BSPT thread



CODE	ØD	T1	T2	L	L1	GR.
2970TR148	8/5,5	R1/4"	R1/8"	46,2	22,6	7,15

2230

Locking nut



CODE	ØD	ØC	H	GR.
2230TR6	6/4	6,2	14	1,0
2230TR8	8/5,5	8,1	14	2,0
2230TR10	10/7	10,2	17	3,0
2230TR12	12/9	12,8	19	4,0





PUSH-ON FITTINGS

INOX AISI 316L

PLUS

**GREAT GRIPPING SYSTEM WITH
THE LOCKING NUT**

SUITABLE FOR POTABLE WATER

**EASY TO BE USED AND EXTREMELY
STRONG**

FULL STAINLESS STEEL AISI 316L





p. 201 / **2700**



p. 201 / **2710**



p. 202 / **2720**



p. 202 / **2725**



p. 202 / **2730**



p. 202 / **2740**



p. 203 / **2745**



p. 203 / **2750**



p. 203 / **2760**



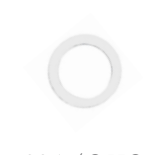
p. 203 / **2770**



p. 204 / **2780**

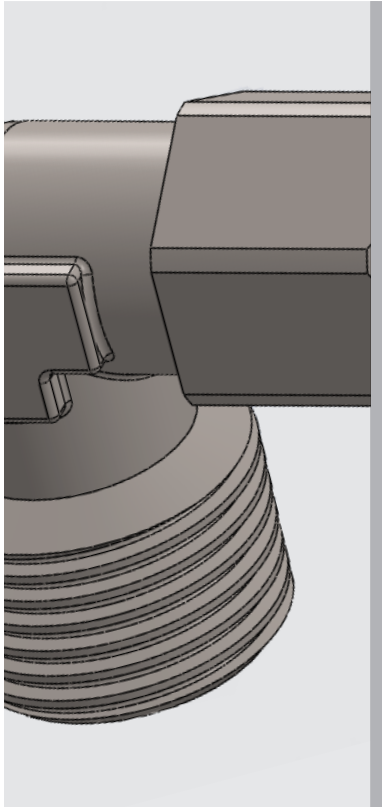


p. 204 / **2790**



p. 204 / **2612**





-40°C ÷ +140°C
0°C ÷ +140°C for swivel fittings



Up to 25 Bar at 20°C.
Up to 16 Bar at 20°C for swivel



Compressed air, potable water and food fluids suitable with construction materials



Taper gas BSPT ISO 7 from R1/8" to R1/2"
Parallel gas BSPP ISO 228 from G1/8" to G1/2"



Polyethylene, PTFE, FEP



Body: Stainless steel AISI 316L
Lock nut: Stainless steel AISI 316L
O'ring for swivel fittings: FKM (viton)

FEATURES

The fittings of this range, made completely in AISI 316L, are suitable also for food contact and chimica applications



Products in compliance with the directive 2002/95/EC

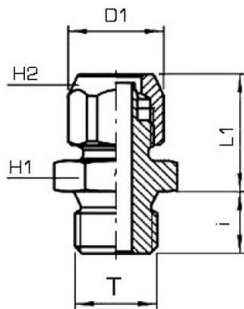


Products in compliance with the directive 2011/65/EU



2700

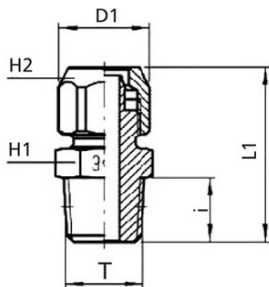
Male connector BSPP thread



CODE	T	ØD	I	L1	D1	H1	H2	GR.
2700TR1864	G1/8"	6/4	8	18,5	13,0	13	12	15,0
2700TR1464	G1/4"	6/4	10	19,0	13,0	17	12	24,0
2700TR1886	G1/8"	8/6	8	18,5	15,5	13	14	18,0
2700TR1486	G1/4"	8/6	10	19,0	15,5	17	14	27,0
2700TR18108	G1/8"	10/8	8	20,0	18,5	14	17	28,0
2700TR14108	G1/4"	10/8	10	20,5	18,5	17	17	32,0
2700TR38108	G3/8"	10/8	10	20,5	18,5	19	17	40,0
2700TR381210	G3/8"	12/10	10	22,0	21,0	19	19	34,0
2700TR121210	G1/2"	12/10	12	22,5	21,0	24	19	34,0

2710

Male connector BSPT thread

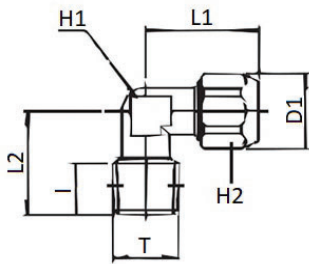


CODE	T	ØD	I	L1	D1	H1	H2	GR.
2710TR1864	R1/8"	6/4	7,5	26,0	13,0	12	12	14,0
2710TR1464	R1/4"	6/4	11,0	30,0	13,0	14	12	21,0
2710TR1886	R1/8"	8/6	7,5	26,0	15,5	12	14	17,0
2710TR1486	R1/4"	8/6	11,0	30,0	15,5	14	14	24,0
2710TR18108	R1/8"	10/8	7,5	27,5	18,5	14	17	28,0
2710TR14108	R1/4"	10/8	11,0	31,5	18,5	14	17	30,0
2710TR38108	R3/8"	10/8	11,5	32,0	18,5	17	17	40,0
2710TR381210	R3/8"	12/10	11,5	33,5	21,0	17	19	34,0
2710TR121210	R1/2"	12/10	14,0	36,5	21,0	22	19	34,0



2720

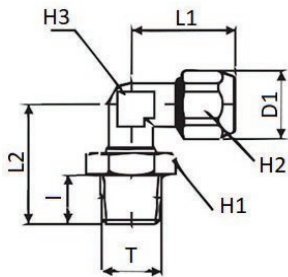
Male elbow BSPT thread



CODE	T	ØD	I	L1	L2	D1	H1	H2	GR.
2720TR1864	R1/8"	6/4	9,0	22,5	18,5	13	10	12	19,0
2720TR1464	R1/4"	6/4	10,5	22,5	21,0	13	10	12	22,0
2720TR1886	R1/8"	8/6	9,0	22,5	18,5	15,5	10	14	20,0
2720TR1486	R1/4"	8/6	10,5	22,5	21,0	15,5	10	14	23,0
2720TR3886	R3/8"	8/6	11,0	26,5	24,5	15,5	13	14	40,0
2720TR18108	R1/8"	10/8	9,0	24,5	18,5	18,5	10	17	26,0
2720TR14108	R1/4"	10/8	10,5	24,5	21,0	18,5	10	17	28,0
2720TR38108	R3/8"	10/8	11,0	27,0	24,5	18,5	13	17	20,0
2720TR381210	R3/8"	12/10	11,5	29,0	25,0	21	13	19	40,0
2720TR121210	R1/2"	12/10	14,0	30,5	29,0	21	17	19	40,0

2725

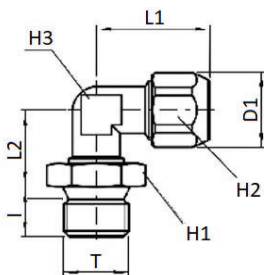
Swivel male elbow BSPT thread



CODE	T	ØD	I	L1	L2	D1	H1	H2	H3	GR.
2725TR1864	R1/8"	6/4	7,5	22,5	21,5	13,0	13	12	10	24,0
2725TR1464	R1/4"	6/4	11,0	22,5	25,5	13,0	17	12	10	28,0
2725TR1886	R1/8"	8/6	7,5	22,5	21,5	15,0	13	14	10	25,0
2725TR1486	R1/4"	8/6	11,0	22,5	25,5	15,0	17	14	10	30,0
2725TR14108	R1/4"	10/8	11,0	24,0	25,5	18,5	17	17	10	36,0

2730

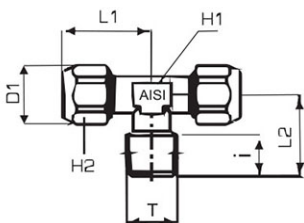
Swivel male elbow BSPP thread



CODE	T	ØD	I	L1	L2	D1	H1	H2	H3	GR.
2730TR1864	G1/8"	6/4	8	22,5	14,0	13,0	13	12	10	24,0
2730TR1464	G1/4"	6/4	10	22,5	14,5	13,0	17	12	10	24,0
2730TR1886	G1/8"	8/6	8	22,5	14,0	15,5	13	14	10	25,0
2730TR1486	G1/4"	8/6	10	22,5	14,5	15,5	17	14	10	29,0
2730TR14108	G1/4"	10/8	10	24,0	14,5	18,5	17	17	10	35,0

2740

Male tee BSPT thread

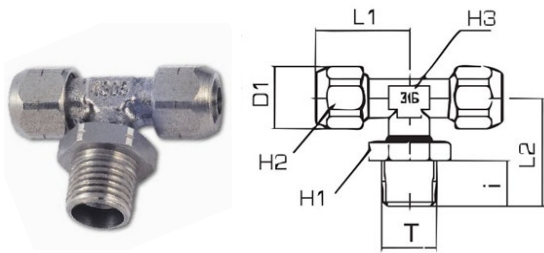


CODE	T	ØD	I	L1	L2	D1	H1	H2	GR.
2740TR1864	R1/8"	6/4	9	22,5	18,5	13,0	10	12	36,0
2740TR1464	R1/4"	6/4	10,5	22,5	21,0	13,0	10	12	44,0
2740TR1886	R1/8"	8/6	9	22,5	18,5	15,5	10	14	31,0
2740TR1486	R1/4"	8/6	10,5	22,5	21,0	15,5	10	14	36,0
2740TR18108	R1/8"	10/8	9	25,0	18,5	18,5	10	17	36,0
2740TR14108	R1/4"	10/8	10,5	25,0	21,0	18,5	10	17	74,0
2740TR38108	R3/8"	10/8	11,5	27,0	25,0	18,5	13	17	70,0
2740TR381210	R3/8"	12/10	11,5	29,0	25,0	21,0	13	19	74,0
2740TR121210	R1/2"	12/10	14,0	30,5	29,0	21,0	17	19	74,0



2745

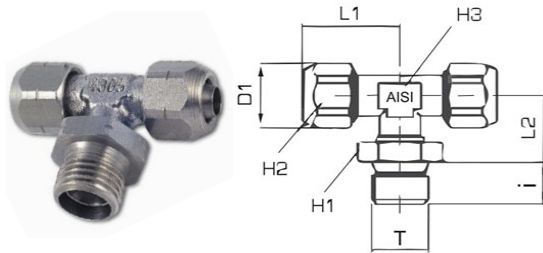
Swivel male tee BSPT thread



CODE	T	ØD	I	L1	L2	D1	H1	H2	H3	GR.
2745TR1864	R1/8"	6/4	7,5	22,5	21,5	13,0	13	12	10	35,0
2745TR1464	R1/4"	6/4	11,0	22,5	25,5	13,0	17	12	10	39,0
2745TR1886	R1/8"	8/6	7,5	22,5	21,5	15,0	13	14	10	38,0
2745TR1486	R1/4"	8/6	11,0	22,5	25,5	15,0	17	14	10	42,0
2745TR14108	R1/4"	10/8	11,0	24,0	25,5	18,5	17	17	10	40,0

2750

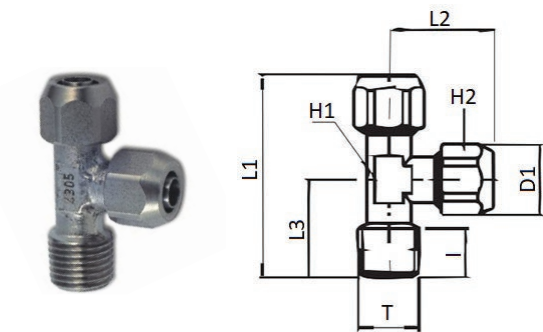
Swivel male tee BSPP thread



CODE	T	ØD	I	L1	L2	D1	H1	H2	H3	GR.
2750TR1864	G1/8"	6/4	8	22,5	14,0	13,0	13	12	10	36,0
2750TR1464	G1/4"	6/4	10	22,5	14,5	13,0	17	12	10	38,0
2750TR1886	G1/8"	8/6	8	22,5	14,0	15,0	13	14	10	37,0
2750TR1486	G1/4"	8/6	10	22,5	14,5	15,0	17	14	10	41,0
2750TR14108	G1/4"	10/8	10	24,0	14,5	18,5	17	17	10	54,0

2760

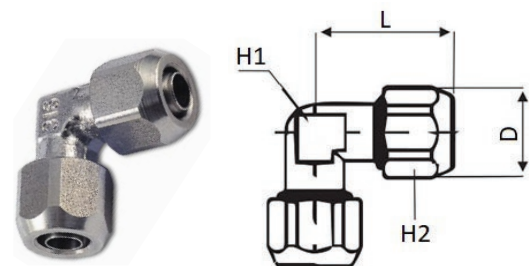
Lateral male tee BSPT thread



CODE	T	ØD	I	L1	L2	L3	D1	H1	H2	GR.
2760TR1864	R1/8"	6/4	9,0	41,0	22,5	18,5	13,0	10	12	35,0
2760TR1464	R1/4"	6/4	10,5	43,5	22,5	21,0	13,0	10	12	40,0
2760TR1886	R1/8"	8/6	9,0	41,0	22,5	18,5	15,0	10	14	35,0
2760TR1486	R1/4"	8/6	10,5	43,5	22,5	21,0	15,0	10	14	35,0
2760TR18108	R1/8"	10/8	9,0	43,5	25,0	18,5	18,5	10	17	35,0
2760TR14108	R1/4"	10/8	10,5	46,0	25,0	21,0	18,5	10	17	40,0
2760TR38108	R3/8"	10/8	11,5	52,0	27,0	25,0	18,5	13	17	70,0

2770

Union elbow connector

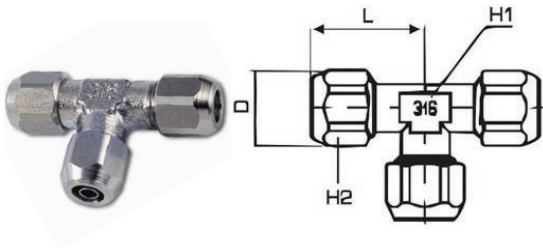


CODE	ØD	L	D1	H1	H2	GR.
2770TR64	6/4	22,5	13,0	10	12	29,0
2770TR86	8/6	22,5	13,5	10	14	29,0
2770TR108	10/8	25,0	15,5	10	17	70,0
2770TR1210	12/10	29,0	21,0	13	19	40,0



2780

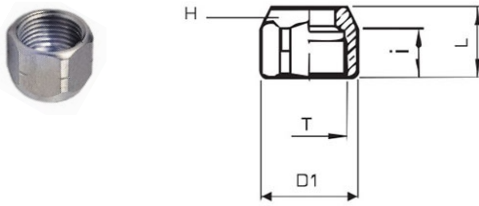
Union tee connector



CODE	ØD-A	ØD-B	L	D1	H1	H2	GR.
2780TR64	6/4	6/4	22,5	13,0	10	12	37,0
2780TR86	8/6	8/6	22,5	15,6	10	14	39,0
2780TR108	10/8	10/8	25,0	18,5	10	17	61,0
2780TR1210	12/10	12/10	29,0	21,0	13	19	115,0

2790

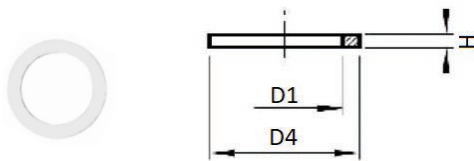
Locking nut



CODE	T	ØD	L	I	D1	H	GR.
2790TRM10164	M10X1	6/4	11,5	8,0	13,1	12	5,0
2790TRM12186	M12X1	8/6	11,5	8,0	15,3	14	6,0
2790TRM141108	M14X1	10/8	13,5	9,5	18,5	17	13,0
2790TRM1611210	M16X1	12/10	14,5	9,0	21,0	19	15,0

2612

PVC washer



CODE	THREAD	D4	D1	H	GR.
2612TR18	G1/8"	14,0	10,0	1,5	18,0
2612TR14	G1/4"	17,5	13,5	1,5	18,0
2612TR38	G3/8"	21,0	16,7	1,5	18,0
2612TR12	G1/2"	26,0	21,3	1,5	18,0

