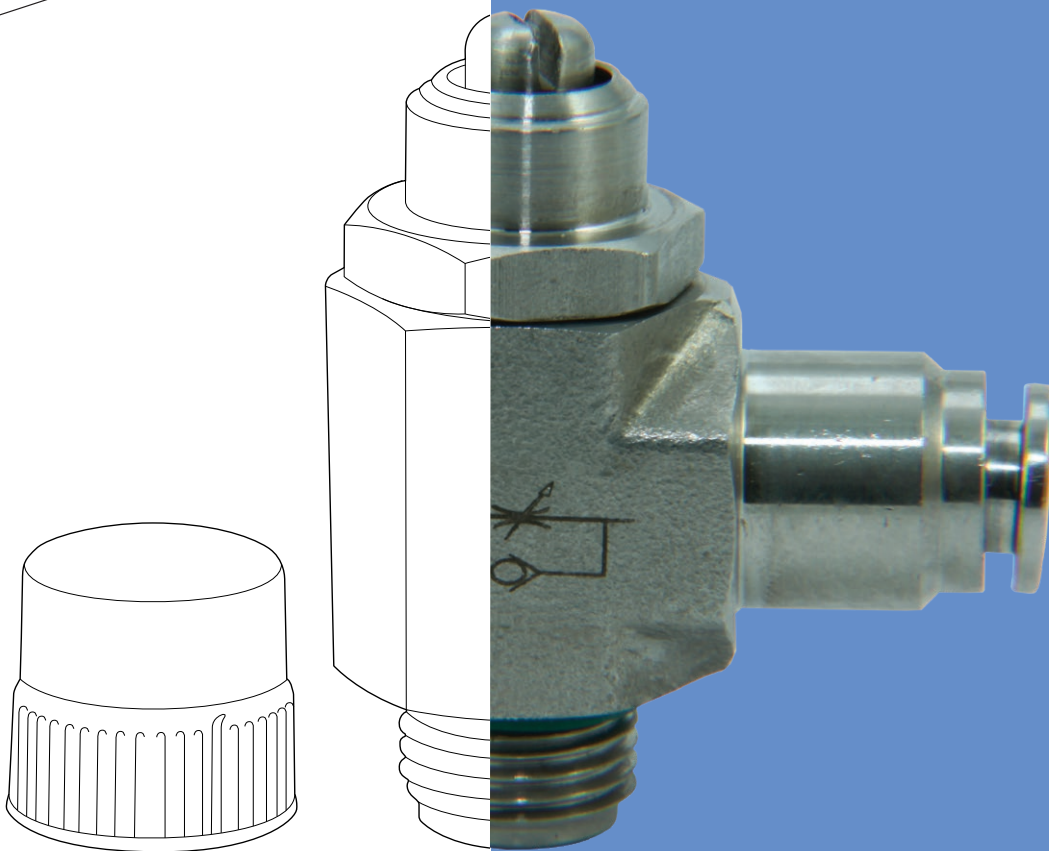


FUNCTION FITTINGS





P. 101 /
FLOW REGULATORS



P. 119 /
FLOW REGULATORS
WITH PILOT CHECK VALVES

TECHNICAL INDEX



P. 123 /
EXHAUST VALVES



P. 131 /
MANUAL VALVES



P. 145 /
STOP FITTINGS



P. 151 /
CHECK VALVES



FUNCTION FITTINGS

FLOW REGULATORS

PLUS

**WIDE SOLUTIONS ACCORDINGLY
TO EVERY KIND OF APPLICATION**

**LARGE RANGE
OF MATERIALS AVAILABLE**

**PRECISE REGULATION ABLE TO
ENSURE THE HIGHEST ENERGY SAVING**

**OPTIMIZED DIMENSIONS
& PERFORMANCES**



PLASTIC
FLOW REGULATORS



p. 104 / **WTRFR-R**



p. 104 / **WTRFR-R-IN**



p. 105 / **WTRFR-G**



p. 105 / **WTRFR-G-IN**



p. 106 / **WTRFR-N**



p. 106 / **WTRFR-N-IN**



p. 106 / **WTRNSF**



p. 107 / **WTRNSF-N**

BRASS
FLOW REGULATORS



p. 108 / **OTSC-G**



p. 108 / **OTSC-G-IN**



p. 109 / **OTSC-G-D**



p. 109 / **OTSC-G-D-IN**



p. 109 / **OTSC-G-D-B**



p. 110 / **OTSC-G-DF**



p. 110 / **OTSC-G-DF-IN**



p. 110 / **OTSC-G-DF-B**

ALUMINUM FLAT
FLOW REGULATORS



p. 111 / **ASF-B**



p. 111 / **ASF-U**

FLOW REGULATORS
FOR HIGH
PERFORMANCE



p. 113 / **HSTU**



p. 113 / **HSLU**



p. 113 / **HSTB**



p. 113 / **HSLB**

BRASS
FLOW REGULATORS
FOR POTABLE WATER



p. 114 / **HSF-B**

BANJO
FLOW REGULATORS
INOX AISI 316



p. 115 / **SXSC-D**



p. 115 / **SXSC-DF**

FLAT
FLOW REGULATORS
INOX AISI 316



p. 116 / **XSFC-U**



p. 116 / **XSFC-B**

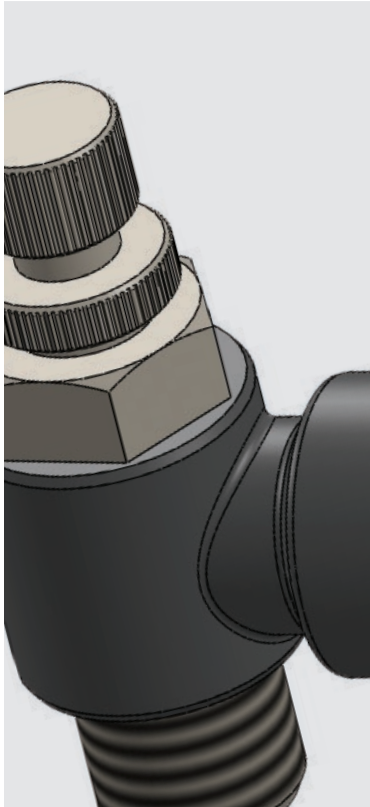


p. 117 / **XSFC-U-N**



p. 117 / **XSFC-B-N**






 -20°C ÷ 80°C

 10 Bar

 Compressed air

 Taper gas BSPT ISO 7 from R1/8" to R1/2" with teflon
 Parallel gas BSPP ISO 228 from G1/8" to G1/2"
 Metric ISO 262 M5
 NPT from N1/8" to N1/2"
 UNF 10-32

 PA, PU, PE

Body: nickel plated brass and high performance PBT
Lock nut: nickel plated brass
Sleeve: acetal resin POM
Lock claw: AISI 301 stainless steel
O'ring: NBR silicon free
Seal: NBR silicon free
Handle: brass
Collar: Zinc
Back Ring: POM



Products in compliance with the directive 2002/95/EC

RoHS2

Products in compliance with the directive 2011/65/EU

INSERTION OF THE TUBE INTO THE FITTING

- Make sure the tube is fully inserted into the fitting.
- To insert the tube into the fitting cut the tube at a squared angle (90°), insert up to the end and pull gently to make sure it is correctly connected.
- If there are any damages or scratches on the tube surface or an oval shape, air leakage and tube release may occur. Check it carefully.
- The OD of polyurethane tubes expand when pressure is applied. Reinsertion into the fitting may not be possible. Check the OD of the tube and change the tube if the expansion is serious.
- Always remove by cutting the part of the tube previously inserted into the fitting. Use a proper tube cutter in order to cut the tube.

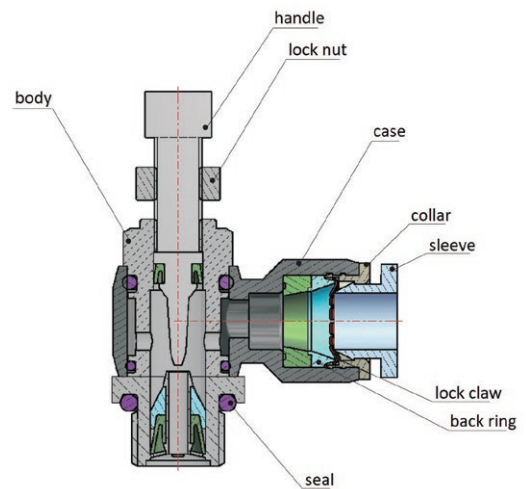
DISCONNECTION OF THE TUBE FROM THE FITTING

- Make sure the pressure is zero before releasing the tube from the fitting.
- To release the tube, press the release ring regularly at the end and pull the tube with one hand.

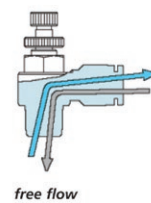
TOLERANCE TUBE

TUBES Ø	Ø 4 mm	Ø 6 mm	Ø 8 mm	Ø 10 mm	Ø 12 mm
TOLERANCES (mm)	±0,1	±0,1	±0,1	± 0,15	± 0,15
TUBES Ø	Ø 5/32	Ø 1/4	Ø 5/16	Ø 3/8	Ø 1/2
TOLERANCES (INCH)	± 0,003"	± 0,003"	± 0,003"	± 0,005"	± 0,005"

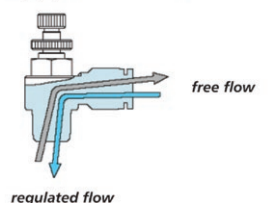
CONSTRUCTION MATERIALS



"exhaust" version - OUT

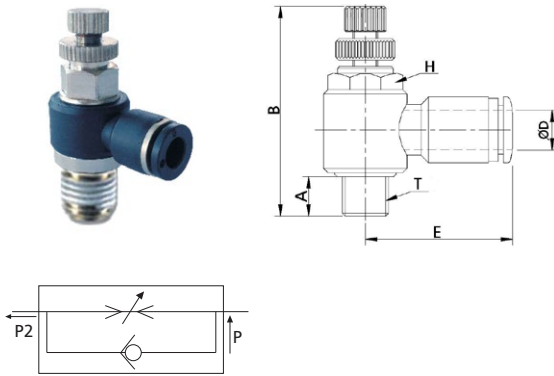


"supply" version - IN



WTRFR-R

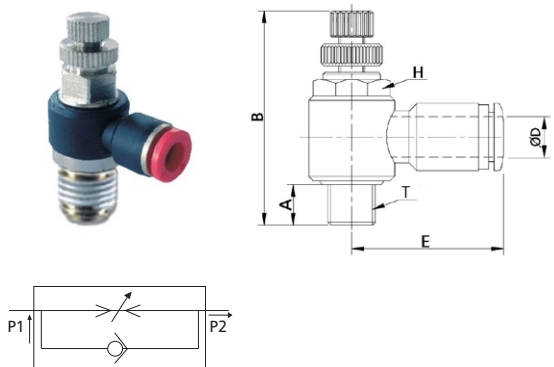
Banjo male elbow flow regulator BSPT thread unidirectional nickel plated with handle regulation



CODE	ØD	T	A	B	E	H	GR
WTRFR04R01	4	R1/8"	7,0	39,7	22,3	10	18,0
WTRFR04R02	4	R1/4"	9,5	46,4	24,1	14	35,9
WTRFR06R01	6	R1/8"	7,0	39,7	23,1	10	18,5
WTRFR06R02	6	R1/4"	9,5	46,4	25,1	14	36,5
WTRFR06R03	6	R3/8"	10,5	53,4	26,8	19	60,5
WTRFR06R04	6	R1/2"	13,5	57,9	29,8	24	92,7
WTRFR08R01	8	R1/8"	7,0	39,7	25,6	10	19,3
WTRFR08R02	8	R1/4"	9,5	46,4	28,6	14	37,3
WTRFR08R03	8	R3/8"	10,5	53,4	29,6	19	61,1
WTRFR08R04	8	R1/2"	13,5	57,9	32,6	24	93,4
WTRFR10R01	10	R1/8"	7,0	39,7	28,8	10	22,7
WTRFR10R02	10	R1/4"	9,5	46,4	31,0	14	40,7
WTRFR10R03	10	R3/8"	10,5	53,4	31,6	19	64,5
WTRFR10R04	10	R1/2"	13,5	57,9	34,6	24	96,8
WTRFR12R02	12	R1/4"	9,5	46,4	33,5	14	42,2
WTRFR12R03	12	R3/8"	10,5	53,4	35,6	19	66,1
WTRFR12R04	12	R1/2"	13,5	57,9	36,6	24	98,3

WTRFR-R-IN

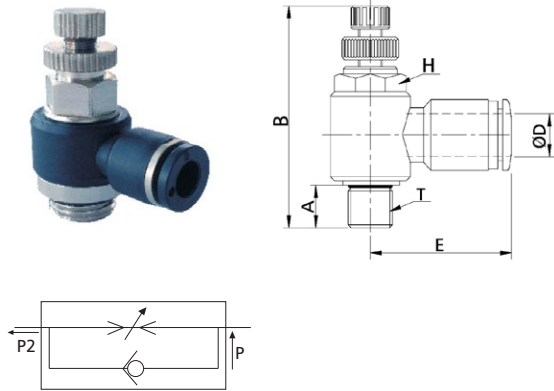
Banjo male elbow flow regulator BSPT thread unidirectional nickel plated with handle regulation



CODE	ØD	T	A	B	E	H	GR
WTRFR04R01-IN	4	R1/8"	7,0	39,7	22,3	10	18,0
WTRFR04R02-IN	4	R1/4"	9,5	46,4	24,1	14	35,9
WTRFR06R01-IN	6	R1/8"	7,0	39,7	23,1	10	18,5
WTRFR06R02-IN	6	R1/4"	9,5	46,4	25,1	14	36,5
WTRFR06R03-IN	6	R3/8"	10,5	53,4	26,8	19	60,5
WTRFR06R04-IN	6	R1/2"	13,5	57,9	29,8	24	92,7
WTRFR08R01-IN	8	R1/8"	7,0	39,7	25,6	10	19,3
WTRFR08R02-IN	8	R1/4"	9,5	46,4	28,6	14	37,3
WTRFR08R03-IN	8	R3/8"	10,5	53,4	29,6	19	61,1
WTRFR08R04-IN	8	R1/2"	13,5	57,9	32,6	24	93,4
WTRFR10R01-IN	10	R1/8"	7,0	39,7	28,8	10	22,7
WTRFR10R02-IN	10	R1/4"	9,5	46,4	31,0	14	40,7
WTRFR10R03-IN	10	R3/8"	10,5	53,4	31,6	19	64,5
WTRFR10R04-IN	10	R1/2"	13,5	57,9	34,6	24	96,8
WTRFR12R02-IN	12	R1/4"	9,5	46,4	33,5	14	42,2
WTRFR12R03-IN	12	R3/8"	10,5	53,4	35,6	19	66,1
WTRFR12R04-IN	12	R1/2"	13,5	57,9	36,6	24	98,3

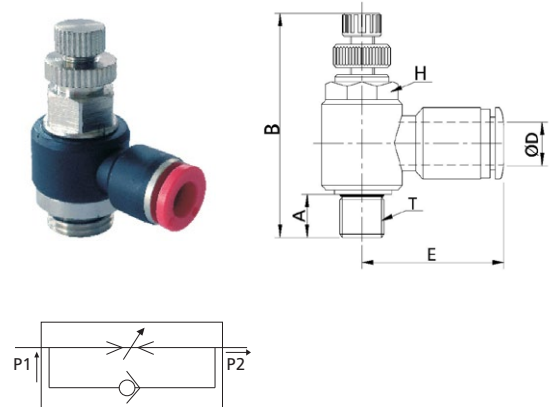


WTRFR-G Banjo male elbow flow regulator BSPP & metric thread unidirectional nickel plated with handle regulation



CODE	ØD	T	A	B	E	H	GR.
WTRFR04M5	4	M5X0,8	4,0	29,3	20,0	8	-
WTRFR04G01	4	G1/8"	5,8	39,7	22,3	10	18,0
WTRFR04G02	4	G1/4"	7,3	46,4	24,1	14	35,9
WTRFR06M5	6	M5X0,8	4,0	29,3	21,9	8	-
WTRFR06G01	6	G1/8"	5,8	39,7	23,1	10	18,5
WTRFR06G02	6	G1/4"	7,3	46,4	25,1	14	36,5
WTRFR06G03	6	G3/8"	8,5	53,4	26,8	19	60,5
WTRFR06G04	6	G1/2"	10,0	57,9	29,8	24	92,7
WTRFR08G01	8	G1/8"	5,8	39,7	25,6	10	19,3
WTRFR08G02	8	G1/4"	7,3	46,4	28,6	14	37,3
WTRFR08G03	8	G3/8"	8,5	53,4	29,6	19	61,1
WTRFR08G04	8	G1/2"	10,0	57,9	32,6	24	93,4
WTRFR10G01	10	G1/8"	5,8	39,7	28,8	10	22,7
WTRFR10G02	10	G1/4"	7,3	46,4	31,1	14	40,7
WTRFR10G03	10	G3/8"	8,5	53,4	31,6	19	64,5
WTRFR10G04	10	G1/2"	10,0	57,9	34,6	24	96,8
WTRFR12G02	12	G1/4"	7,3	46,4	33,5	14	42,2
WTRFR12G03	12	G3/8"	8,5	53,4	35,6	19	66,1
WTRFR12G04	12	G1/2"	10,0	57,9	36,6	24	98,3

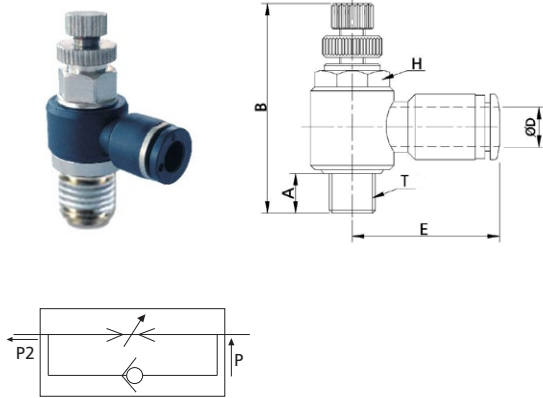
WTRFR-G-IN Banjo male elbow flow regulator BSPP & metric thread unidirectional nickel plated with handle regulation



CODE	ØD	T	A	B	E	H	GR.
WTRFR04M5-IN	4	M5X0,8	4,0	29,3	20,0	8	-
WTRFR04G01-IN	4	G1/8"	5,8	39,7	22,3	10	18,0
WTRFR04G02-IN	4	G1/4"	7,3	46,4	24,1	14	35,9
WTRFR06M5-IN	6	M5X0,8	4,0	29,3	21,9	8	-
WTRFR06G01-IN	6	G1/8"	5,8	39,7	23,1	10	18,5
WTRFR06G02-IN	6	G1/4"	7,3	46,4	25,1	14	36,5
WTRFR06G03-IN	6	G3/8"	8,5	53,4	26,8	19	60,5
WTRFR06G04-IN	6	G1/2"	10,0	57,9	29,8	24	92,7
WTRFR08G01-IN	8	G1/8"	5,8	39,7	25,6	10	19,3
WTRFR08G02-IN	8	G1/4"	7,3	46,4	28,6	14	37,3
WTRFR08G03-IN	8	G3/8"	8,5	53,4	29,6	19	61,1
WTRFR08G04-IN	8	G1/2"	10,0	57,9	32,6	24	93,4
WTRFR10G01-IN	10	G1/8"	5,8	39,7	28,8	10	22,7
WTRFR10G02-IN	10	G1/4"	7,3	46,4	31,1	14	40,7
WTRFR10G03-IN	10	G3/8"	8,5	53,4	31,6	19	64,5
WTRFR10G04-IN	10	G1/2"	10,0	57,9	34,6	24	96,8
WTRFR12G02-IN	12	G1/4"	7,3	46,4	33,5	14	42,2
WTRFR12G03-IN	12	G3/8"	8,5	53,4	35,6	19	66,1
WTRFR12G04-IN	12	G1/2"	10,0	57,9	36,6	24	98,3

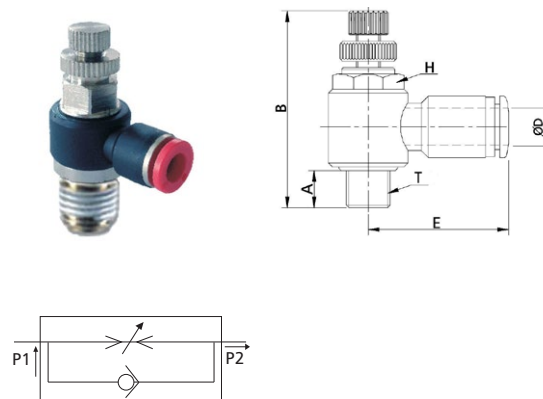


WTRFR-N Banjo male elbow flow regulator NPT & UNF thread unidirectional nickel plated with handle regulation



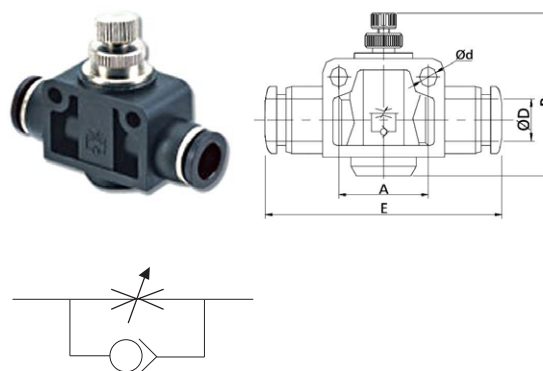
CODE	ØD	T	A	B	E	H	GR.
WTRFR532UF1032	5/32	UNF 10-32	0,149	1,153	0,787	0,314	0,037
WTRFR532N01	5/32	N1/8"	0,295	1,578	0,889	0,437	0,039
WTRFR1-4UF1032	1/4	UNF 10-32	0,149	1,153	0,866	0,314	0,038
WTRFR1-4N01	1/4	N1/8"	0,295	1,578	0,909	0,437	0,040
WTRFR1-4N02	1/4	N1/4"	0,413	1,858	0,988	0,562	0,080
WTRFR1-4N03	1/4	N3/8"	0,433	2,122	1,055	0,748	0,133
WTRFR516N01	5/16	N1/8"	0,295	1,578	1,007	0,437	0,042
WTRFR516N02	5/16	N1/4"	0,413	1,858	1,125	0,562	0,082
WTRFR516N03	5/16	N3/8"	0,433	2,122	1,165	0,748	0,134
WTRFR38N02	3/8	N1/4"	0,413	1,858	1,220	0,562	0,089
WTRFR38N03	3/8	N3/8"	0,433	2,122	1,244	0,748	0,142
WTRFR38N04	3/8	N1/2"	0,551	2,299	1,362	1	0,213
WTRFR1-2N02	1/2	N3/8"	0,433	2,122	1,401	0,748	0,093
WTRFR1-2N03	1/2	N1/2"	0,551	2,299	1,440	1	0,145

WTRFR-N-IN Banjo male elbow flow regulator NPT & UNF thread unidirectional nickel plated with handle regulation



CODE	ØD	T	A	B	E	H	GR.
WTRFR532UF1032-IN	5/32	UNF 10-32	0,149	1,153	0,787	0,314	0,037
WTRFR532N01-IN	5/32	N1/8"	0,295	1,578	0,889	0,437	0,039
WTRFR1-4UF1032-IN	1/4	UNF 10-32	0,149	1,153	0,866	0,314	0,038
WTRFR1-4N01-IN	1/4	N1/8"	0,295	1,578	0,909	0,437	0,040
WTRFR1-4N02-IN	1/4	N1/4"	0,413	1,858	0,988	0,562	0,080
WTRFR1-4N03-IN	1/4	N3/8"	0,433	2,122	1,055	0,748	0,133
WTRFR516N01-IN	5/16	N1/8"	0,295	1,578	1,007	0,437	0,042
WTRFR516N02-IN	5/16	N1/4"	0,413	1,858	1,125	0,562	0,082
WTRFR516N03-IN	5/16	N3/8"	0,433	2,122	1,165	0,748	0,134
WTRFR38N02-IN	3/8	N1/4"	0,413	1,858	1,220	0,562	0,089
WTRFR38N03-IN	3/8	N3/8"	0,433	2,122	1,244	0,748	0,142
WTRFR38N04-IN	3/8	N1/2"	0,551	2,299	1,362	1	0,213
WTRFR1-2N02-IN	1/2	N3/8"	0,433	2,122	1,401	0,748	0,093
WTRFR1-2N03-IN	1/2	N1/2"	0,551	2,299	1,440	1	0,145

WTRNSF Flat flow regulators metric sizes unidirectional nickel plated with handle regulation

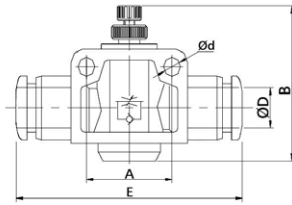


CODE	ØD	Ød	A	B	E	GR.
WTRNSF04	4	3,2	14,0	28,8	39,5	11,7
WTRNSF06	6	4,3	20,0	42,6	47,6	27,0
WTRNSF08	8	4,3	22,0	44,3	52,6	39,5
WTRNSF10	10	4,3	26,0	53,4	60,5	69,0
WTRNSF12	12	4,3	32,0	55,6	74,2	113,2

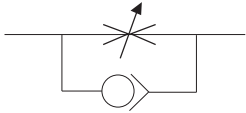


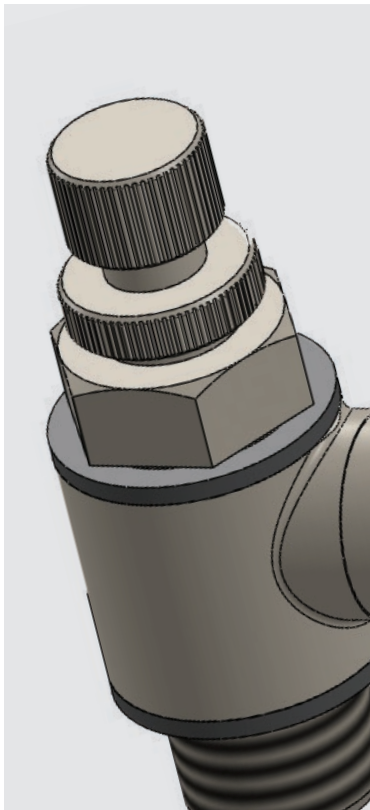
WTRNSF-N

Flat flow regulators imperial sizes unidirectional nickel plated with handle regulation



CODE	ØD	Ød	A	B	E	GR.
WTRNSF532	5/32	0,125	0,551	1,133	1,555	0,025
WTRNSF316	3/16	0,125	0,551	1,133	1,578	0,056
WTRNSF1-4	1/4	0,169	0,787	1,677	1,874	0,059
WTRNSF516	5/16	0,169	0,866	1,744	2,070	0,087
WTRNSF38	3/8	0,169	1,023	2,102	2,381	0,152
WTRNSF1-2	1/2	0,169	1,259	2,188	2,921	0,249





-20°C ÷ 70°C



From tube Ø4 to Ø8mm
15 Bar up to 50°C & 10 Bar >50°C
From tube Ø10 to Ø12mm
10 Bar up to 50°C & 6 Bar >50°C



Compressed air



Manual and screwdriver



Parallel BSPP ISO 228
from G1/8" to G1/2"
Metric ISO 262 M5



PA, PU



Body: brass UNI EN 12164 CW614W

Lock claw: stainless steel AISI 316

Seal: NBR silicon free



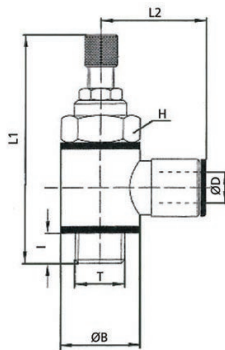
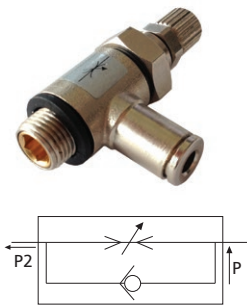
Products in compliance with the directive 2002/95/EC

RoHS2

Products in compliance with the directive 2011/65/EU

OTSC-G

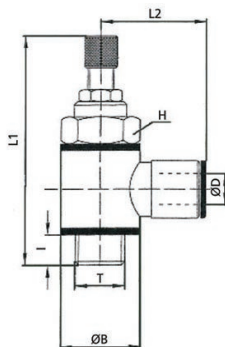
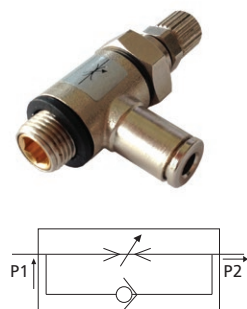
Manual swivel flow regulator BSPP thread for cylinders



CODE	ØD	T	I	ØB	L1	L2	H	NL/MIN	GR.
OTSC04G01	4	G1/8"	5	14	49	20,5	14	310	36
OTSC06G01	6	G1/8"	5	14	49	23	14	390	38
OTSC06G02	6	G1/4"	6	18	56,5	24	17	710	65
OTSC08G01	8	G1/8"	5	14	49	24,5	14	390	39
OTSC08G02	8	G1/4"	6	18	56,5	26	17	810	66
OTSC10G02	10	G1/4"	6	18	56,5	27	17	810	69
OTSC12G02	12	G1/4"	6	18	56,5	28	17	810	70

OTSC-G-IN

Manual swivel flow regulator BSPP thread for valves

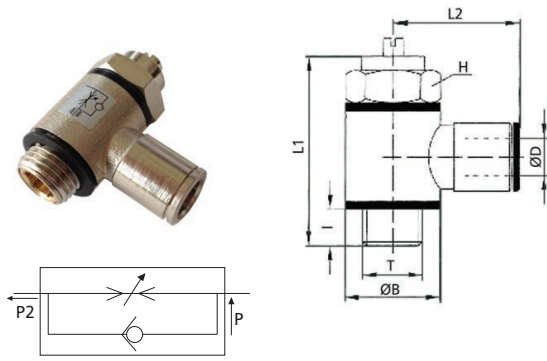


CODE	ØD	T	I	ØB	L1	L2	H	NL/MIN	GR.
OTSC04G01IN	4	G1/8"	5	14	49	20,5	14	310	36
OTSC06G01IN	6	G1/8"	5	14	49	23	14	390	38
OTSC06G02IN	6	G1/4"	6	18	56,5	24	17	710	65
OTSC08G01IN	8	G1/8"	5	14	49	24,5	14	390	39
OTSC08G02IN	8	G1/4"	6	18	56,5	26	17	810	66
OTSC10G02IN	10	G1/4"	6	18	56,5	27	17	810	69
OTSC12G02IN	12	G1/4"	6	18	56,5	28	17	810	70



OTSC-G-D

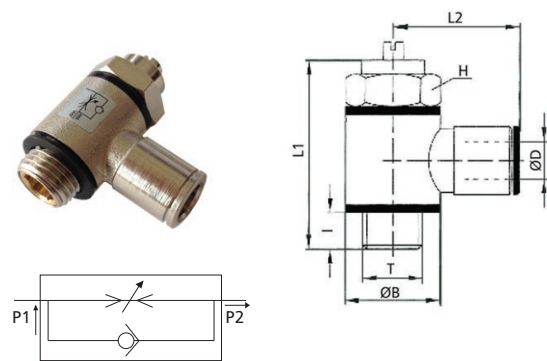
Screwdriver flow regulator BSPP & metric thread for cylinders



CODE	ØD	T	I	ØB	L1	L2	H	NL/MIN	GR.
OTSC04M5D	4	M5	4	9	25	18	8	45	14
OTSC04G01D	4	G1/8"	5	14	32	20,5	14	310	31
OTSC06M5D	6	M5	4	9	25	19,5	8	45	15,5
OTSC06G01D	6	G1/8"	5	14	32	23	14	390	33
OTSC06G02D	6	G1/4"	6	18	37	24	17	710	55
OTSC08G01D	8	G1/8"	5	14	32	24,5	14	390	34
OTSC08G02D	8	G1/4"	6	18	37	26	17	810	56
OTSC08G03D	8	G3/8"	6,5	21	46,5	27	20	1050	87
OTSC10G02D	10	G1/4"	6	18	37	27	17	810	58,5
OTSC10G03D	10	G3/8"	6,5	21	46,5	28	20	1050	88
OTSC12G02D	12	G1/4"	6	18	37	28	17	810	59
OTSC12G03D	12	G3/8"	6,5	21	46,5	29	20	1050	89

OTSC-G-D-IN

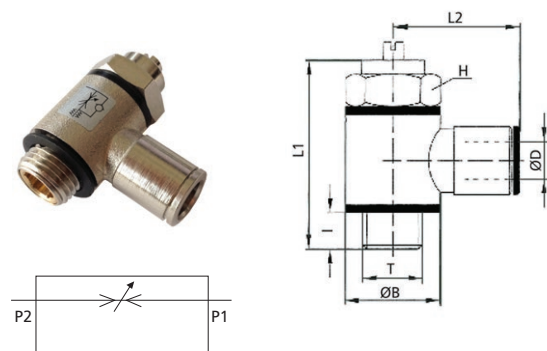
Screwdriver flow regulator BSPP & metric thread for valves



CODE	ØD	T	I	ØB	L1	L2	H	NL/MIN	GR.
OTSC04M5DIN	4	M5	4	9	25	18	8	45	14
OTSC04G01DIN	4	G1/8"	5	14	32	20,5	14	310	31
OTSC06M5DIN	6	M5	4	9	25	19,5	8	45	15,5
OTSC06G01DIN	6	G1/8"	5	14	32	23	14	390	33
OTSC06G02DIN	6	G1/4"	6	18	37	24	17	710	55
OTSC08G01DIN	8	G1/8"	5	14	32	24,5	14	390	34
OTSC08G02DIN	8	G1/4"	6	18	37	26	17	810	56
OTSC08G03DIN	8	G3/8"	6,5	21	46,5	27	20	1050	87
OTSC10G02DIN	10	G1/4"	6	18	37	27	17	810	58,5
OTSC10G03DIN	10	G3/8"	6,5	21	46,5	28	20	1050	88
OTSC12G02DIN	12	G1/4"	6	18	37	28	17	810	59
OTSC12G03DIN	12	G3/8"	6,5	21	46,5	29	20	1050	89

OTSC-G-D-B

Screwdriver flow regulator BSPP & metric thread bidirectional

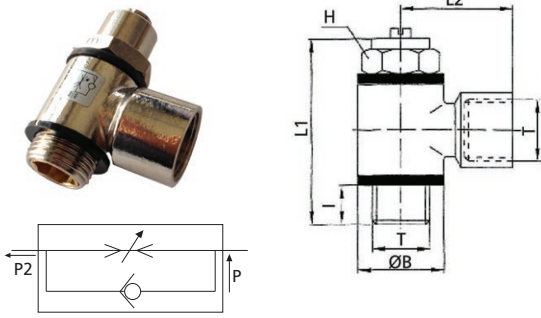


CODE	ØD	T	I	ØB	L1	L2	H	NL/MIN	GR.
OTSC04M5DB	4	M5	4	9	25	18	8	45	14
OTSC04G01DB	4	G1/8"	5	14	32	20,5	14	310	31
OTSC06M5DB	6	M5	4	9	25	19,5	8	45	15,5
OTSC06G01DB	6	G1/8"	5	14	32	23	14	390	33
OTSC06G02DB	6	G1/4"	6	18	37	24	17	710	55
OTSC08G01DB	8	G1/8"	5	14	32	24,5	14	390	34
OTSC08G02DB	8	G1/4"	6	18	37	26	17	810	56
OTSC08G03DB	8	G3/8"	6,5	21	46,5	27	20	1050	87
OTSC10G02DB	10	G1/4"	6	18	37	27	17	810	58,5



OTSC-G-DF

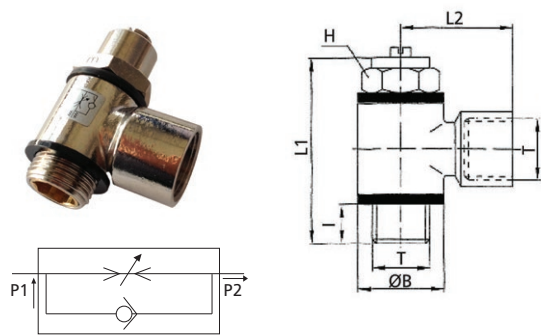
Screwdriver female flow regulator BSPP & metric thread for cylinders



CODE	T1	I	ØB	L1	L2	H	NL/MIN	GR.
OTSCM5DF	M5	4	9	25	11,5	8	45	10
OTSCG01DF	G1/8"	5	14	32	21	14	310	34
OTSCG02DF	G1/4"	6	18	37	25,5	17	450	64
OTSCG03DF	G3/8"	7	21	46	26	20	1040	88
OTSCG04DF	G1/2"	10	26	52,5	32	26	2200	187

OTSC-G-DF-IN

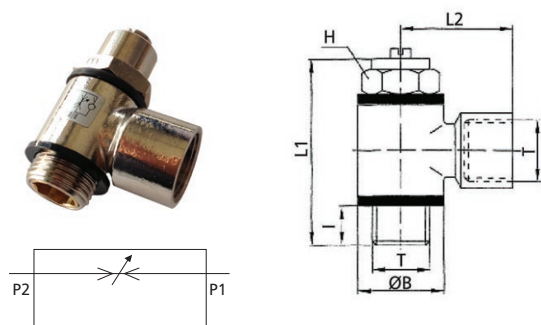
Screwdriver female flow regulator BSPP & metric thread for valves



CODE	T1	I	ØB	L1	L2	H	NL/MIN	GR.
OTSCM5DFIN	M5	4	9	25	11,5	8	45	10
OTSCG01DFIN	G1/8"	5	14	32	21	14	310	34
OTSCG02DFIN	G1/4"	6	18	37	25,5	17	450	64
OTSCG03DFIN	G3/8"	7	21	46	26	20	1040	88
OTSCG04DFIN	G1/2"	10	26	52,5	32	26	2200	187

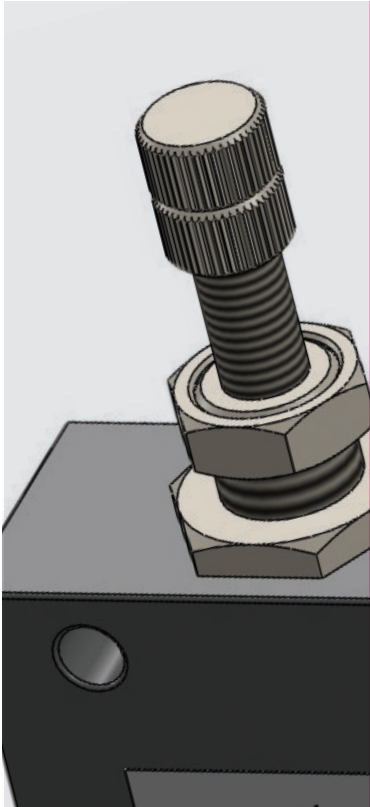
OTSC-G-DF-B

Screwdriver female flow regulator BSPP & metric thread bidirectional



CODE	T1	I	ØB	L1	L2	H	NL/MIN	GR.
OTSCM5DFB	M5	4	9	25	11,5	8	45	10
OTSCG01DFB	G1/8"	5	14	32	21	14	310	34
OTSCG02DFB	G1/4"	6	18	37	25,5	17	450	64
OTSCG03DFB	G3/8"	7	21	46	26	20	1040	88
OTSCG04DFB	G1/2"	10	26	52,5	32	26	2200	187





0°C ÷ 65°C



For ASF-U: 0.025 - 10 Bar
For ASF-B: 0 - 10 Bar



Compressed Air



Manual



Female parallel gas BSPP ISO 228 from G1/8" to G1/2"



Body: aluminum 11S with black anodization

Regulation screw: nickel plated brass

Seal: NBR



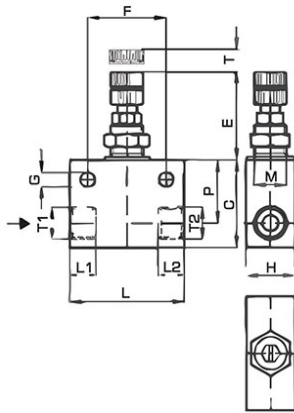
Products in compliance with the directive 2002/95/EC

RoHS2

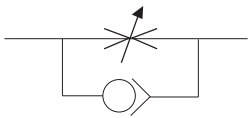
Products in compliance with the directive 2011/65/EU

ASF-U

Unidirectional female flow regulator BSPP thread aluminum

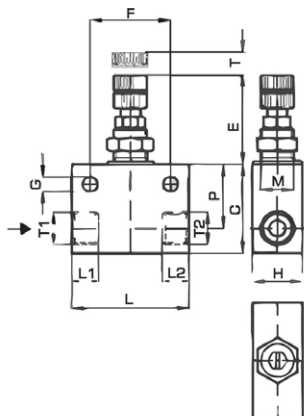


CODE	T1	T2	L	L1	L2	C	H	M	F	G	E	P	T	GR.
ASF-U01N	G1/8	G1/8	35	8,0	8,0	27	15	10X1	24	4,5	26	19,5	7,0	52,0
ASF-U02N	G1/4	G1/4	40	9,5	9,5	30	18	10X1	24	4,5	26	21,0	7,0	90,0
ASF-U03N	G3/8	G3/8	45	10,5	10,5	35	22	15X1	30	6,0	31	25,0	8,5	206,0
ASF-U04N	G1/2	G1/2	57	12,0	12,0	40	27	15X1	30	6,0	31	26,0	8,5	217,0

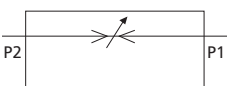


ASF-B

Bidirectional female flow regulator BSPP thread in aluminum



CODE	T1	T2	L	L1	L2	C	H	M	F	G	E	P	T	GR.
ASF-B01N	G1/8	G1/8	35	8,0	8,0	27	15	10X1	24	4,5	26	19,5	7,0	52,0
ASF-B02N	G1/4	G1/4	40	9,5	9,5	30	18	10X1	24	4,5	26	21,0	7,0	90,0
ASF-B03N	G3/8	G3/8	45	10,5	10,5	35	22	15X1	30	6,0	31	25,0	8,5	206,0
ASF-B04N	G1/2	G1/2	57	12,0	12,0	40	27	15X1	30	6,0	31	26,0	8,5	217,0





0°C ÷ 65°C Dry air: -20°C ÷ 98°
air & fluids: 1°C ÷ 98°C
(see the table)



20 Bar (depending from the tubes
and temperature applied)
(see the table)



Water, beverages,
compressed air, selected
gases, liquids and fluids
compatible with the
construction materials



Manual with knob and
screwdriver



Polyethylene, Polyamide,
Polyurethane, PTFE- FEP
Soft metal tubes:
brass, copper and mild steel
Hard metal tubes:
please contact our tecnica
department for stainless steel and
other hard materials tubes use



Body: POM
Gripping collet: POM + AISI 301
Seals: EPDM
Handle: nickel plated brass
Lock nut: nickel plated brass
Needle plated: nickel plated brass
Needle: AISI 304



REACH Products in compliance with
the directive 2002/95/EC

RoHS2

Products in compliance with
the directive 2011/65/EU



WORKING PRESSURE AND TEMPERATURE

Ø / °C	-20 °C	1 °C*	25 °C*	70 °C*	98 °C*
6 mm	0 → 8 Bar With dry air only	20 Bar	20 Bar	16 Bar	10 Bar
10 mm		16 Bar	16 Bar	14 Bar	10 Bar

INSERTION OF THE TUBE INTO THE FITTING

- Make sure the tube is fully inserted into the fitting.
- To insert the tube into the fitting cut the tube at a squared angle (90°), insert up to the end and pull gently to make sure it is correctly connected.
- If there are any damages or scratches on the tube surface or an oval shape, air leakage and tube release may occur. Check it carefully.
- The OD of polyurethane tubes expand when pressure is applied. Reinsertion into the fitting may not be possible. Check the OD of the tube and change the tube if the expansion is serious.
- Always remove by cutting the part of the tube previously inserted into the fitting. Use a proper tube cutter in order to cut the tube.

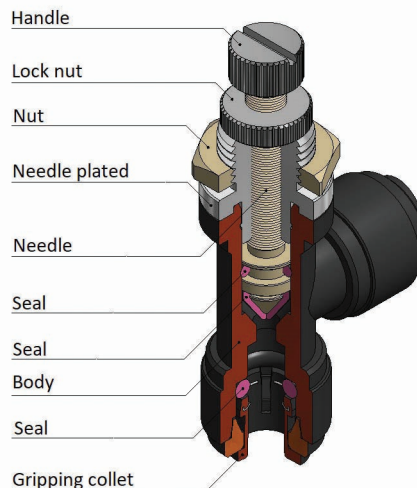
DISCONNECTION OF THE TUBE FROM THE FITTING

- Make sure the pressure is zero before releasing the tube from the fitting.
- To release the tube, press the release ring regularly at the end and pull the tube with one hand.

INSERTION TUBE

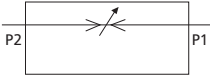
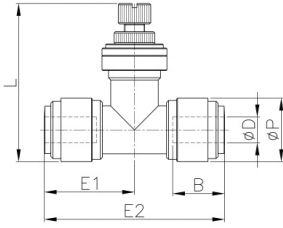
DIAMETER TUBES Ø	Ø 6 mm	Ø 10 mm
TUBES INSERTION LENGHT (MM)	16,1	19,7

CONSTRUCTION MATERIALS



HSTU

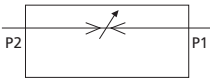
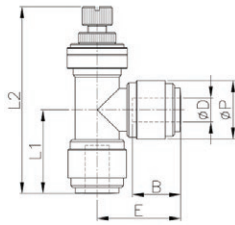
Metric flow regulator



CODE	ØD	ØP	E1	E2	L-	L+	B	GR.
HSTU0606B	6	15,5	22,2	44,4	37,7	42,7	16,1	20,6
HSTU1010B	10	20,0	26,1	52,1	44,0	49,7	19,7	39,4

HSLU

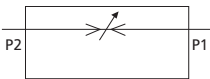
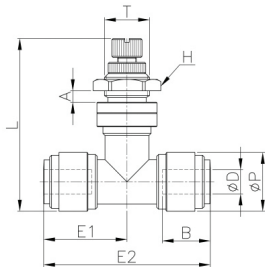
Elbow metric flow regulator



CODE	ØD	ØP	L1	L2-	L2+	E	B	GR.
HSLU0606B	6	15,5	22,2	49,6	53,6	22,2	16,1	20,3
HSLU1010B	10	20,0	25,0	59,0	64,7	26,0	19,7	39,0

HSTB

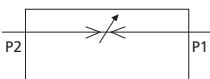
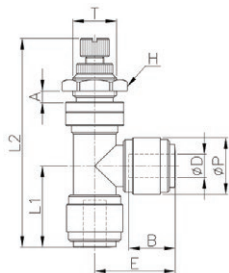
Bulkhead metric flow regulator



CODE	ØD	ØP	T	E1	E2	L-	L+	A	B	H	GR.
HSTB0606B	6	15,5	M12XP1	22,2	44,4	45,5	50,4	5,0	16,1	16	28,9
HSTB1010B	10	20,0	M15XP1	26,1	52,1	52,7	58,4	6,0	19,7	19	54,0

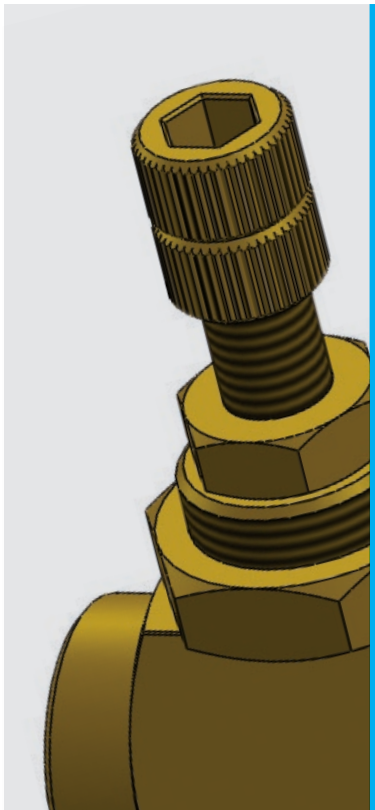
HSLB

Elbow bulkhead metric flow regulator



CODE	ØD	ØP	T	L1	L2-	L2+	E	A	B	H	GR.
HSLB0606B	6	15,5	M12X1,0	22,2	57,1	61,3	22,2	5,0	16,1	16	28,7
HSLB1010B	10	20,0	M15X1,0	25,0	67,7	73,4	26,0	6,0	19,7	19	54,0





-10°C ÷ 110°C



10 Bar



Compressed air, potable water and fluids suitable with construction materials



Manual



Female parallel gas BSPP ISO 228 G1/4"



Body: brass CW614N with directive DM174

Seal: EPDM



Products in compliance with the directive 2002/95/EC

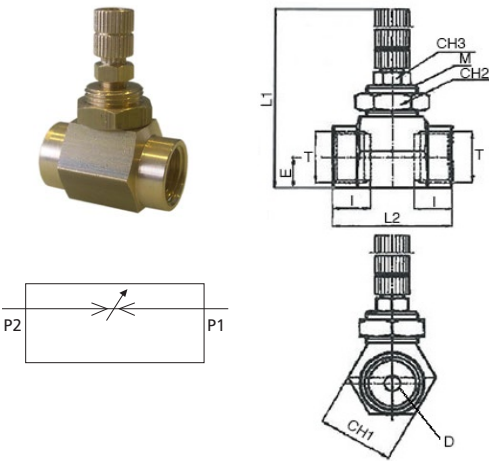
RoHS2

Products in compliance with the directive 2011/65/EU



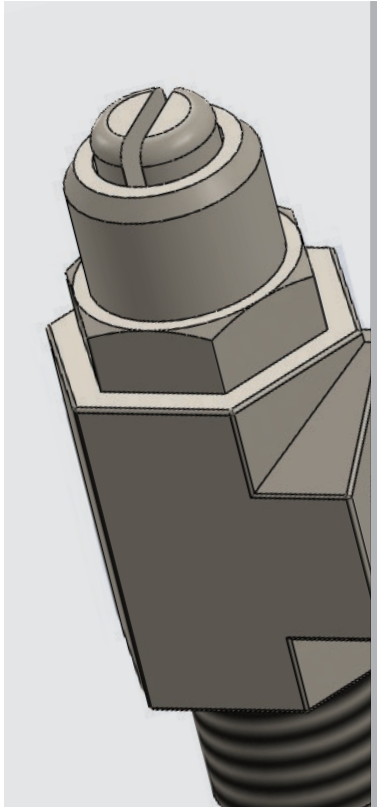
HSF-B

Bidirectional female brass flow regulator BSPP thread



CODE	T	M	CH1	CH2	CH3	DN	E	I	GR.
HSF-B02	G1/4"	M13X1	19	16	8	5	8	9,5	45,0





-  Up to 120°C


-  Up to 10 Bar

-  Compressed air and fluids compatible with construction materials

-  Screwdriver

-  Parallel gas BSPP ISO 228 con OR from G1/8" to G1/2"

-  Polyethylene, PTFE, FEP

 **Body:** stainless steel AISI 316
Lock claw: stainless steel AISI 303
Seal: Viton

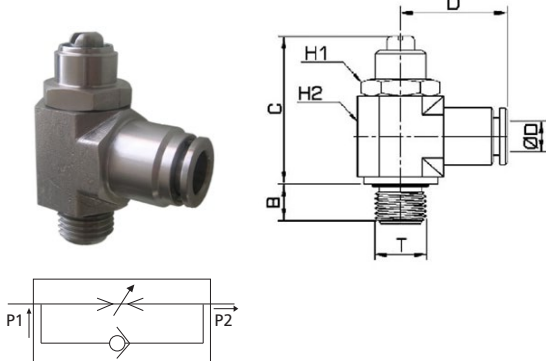
 **REACH** Products in compliance with the directive 2002/95/EC

RoHS2 Products in compliance with the directive 2011/65/EU



SXSC-D

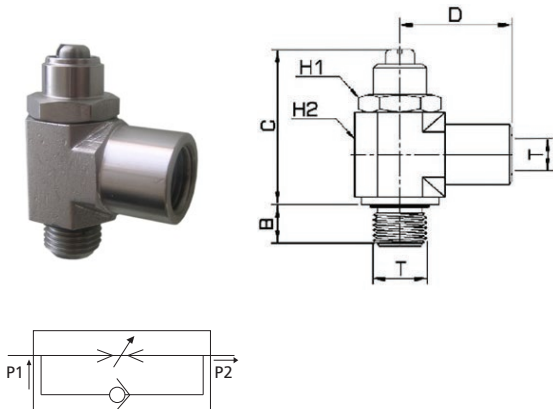
Unidirectional screwdriver flow regulator BSPP thread in AISI 316 for cylinders



CODE	ØD	T	B	C	D	E	H1	H2	GR.
SXSC06G01-D	6	G1/8"	6	38	24	8	14,3	16	44
SXSC06G02-D	6	G1/4"	8	40	28	12	17,4	19	84
SXSC08G01-D	8	G1/8"	6	38	24	8	14,3	16	46
SXSC08G02-D	8	G1/4"	8	40	28	12	17,4	19	80
SXSC10G02-D	10	G1/4"	8	40	28	12	17,4	19	83

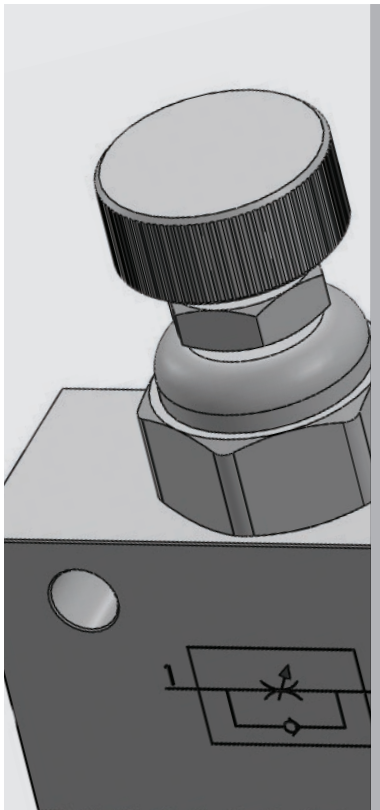
SXSC-DF

Unidirectional screwdriver female flow regulator BSPP thread in AISI 316 for cylinders



CODE	T	B	C	D	E	H1	H2	GR.
SXSC01-DF	G1/8"	6	38	21	8	14,3	16	42
SXSC02-DF	G1/4"	8	40	25	12	17,4	19	87
SXSC03-DF	G3/8"	8	53	28	12	20,6	22	141
SXSC04-DF	G1/2"	10	69	31	15	24,0	28	213





From -10°C to 120°C for unidirectional regulators
From -25°C to 120°C for bidirectional regulators



From 1 Bar to 16 Bar for unidirectional regulators
From 0 Bar to 40 Bar for bidirectional regulators



Only air for unidirectional regulators
Air and fluids compatible with construction materials for bidirectional regulators



Manual



Parallel gas BSPP ISO 228 from G1/8" to G1/2"
NPT N1/4" and N1/2"



Body: stainless steel AISI 316
Seal: Viton



Products in compliance with the directive 2002/95/EC

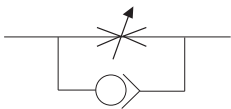
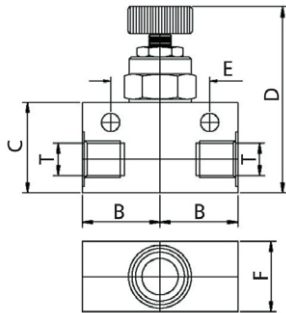


Products in compliance with the directive 2011/65/EU



XSFC-U

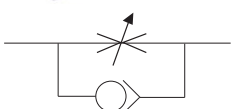
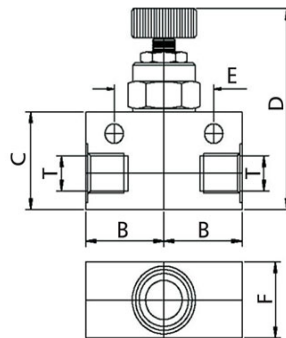
Unidirectional female flow regulator BSPP thread Inox AISI 316



CODE	T	B	C	D	E	F	GR.
XSFC-U01	G1/8	16,0	22,0	47,0	22,0	16,0	250
XSFC-U02	G1/4	27,5	32,0	56,0	31,8	25,0	350
XSFC-U03	G3/8	27,5	32,0	56,0	31,8	25,0	485
XSFC-U04	G1/2	32,0	38,0	62,0	35,0	28,0	625

XSFC-U-N

Unidirectional female flow regulator NPT thread Inox AISI 316

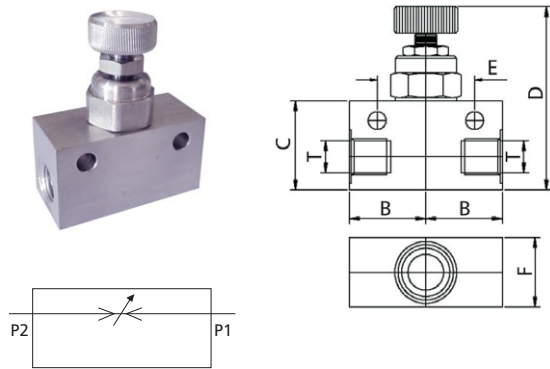


CODE	T	B	C	D	E	F	GR.
XSFC-U-N02	N1/4	27,5	32,0	56,0	31,8	25,0	350
XSFC-U-N04	N1/2	32,0	38,0	62,0	35,0	28,0	625



XSFC-B

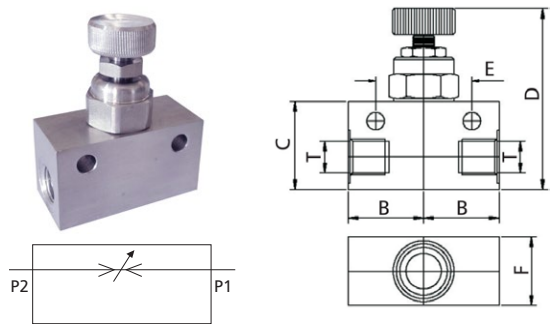
Bidirectional female flow regulator BSPP thread Inox AISI 316



CODE	T	B	C	D	E	F	GR.
XSFC-B01	G1/8	16,0	22,0	47,0	22,0	16,0	250
XSFC-B02	G1/4	27,5	32,0	56,0	31,8	25,0	350
XSFC-B03	G3/8	27,5	32,0	56,0	31,8	25,0	485
XSFC-B04	G1/2	32,0	38,0	62,0	35,0	28,0	625

XSFC-B-N

Bidirectional female flow regulator NPT thread Inox AISI 316



CODE	T	B	C	D	E	F	GR.
XSFC-B-N02	N1/4	27,5	32,0	56,0	31,8	25,0	350
XSFC-B-N04	N1/2	32,0	38,0	62,0	35,0	28,0	625





10

1

2

001

14299201

14299201

17.118 19 20 21

26 27 28 29 30 31 32 33 34 35

26 27 28 29 30 31 32 33 34 35

36 37 38 39 40 41 42 43 44 45

FUNCTION FITTINGS

FLOW REGULATORS WITH PILOT CHECK VALVES

PLUS

OPTIMIZED DIMENSIONS
& PERFORMANCES

TWO FUNCTIONS
IN A SINGLE COMPONENT

EASY USE THANKS TO THE SWIVELING
SYSTEM

100% TESTED

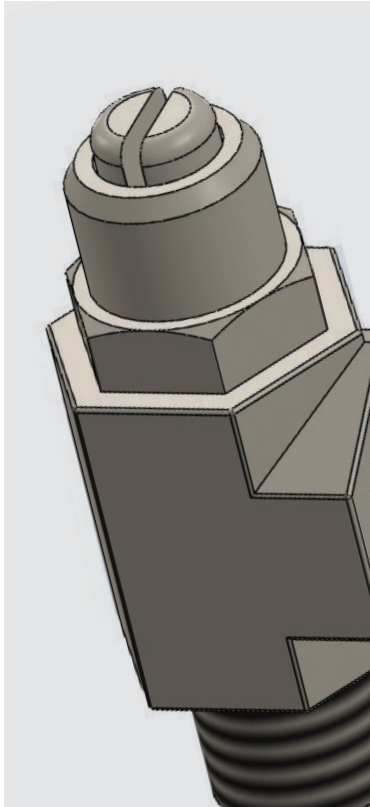


p. 122 / **PVSC**



p. 122 / **PVSC-G**





0°C ÷ 60°C



Negative pressure:
-750mmHg



Compressed air



Manual



Taper gas BSPT ISO 7
from R1/8" to R1/2" with teflon
Parallel gas BSPP ISO 228
from G1/8" to G1/2"



Polyamide, Polyurethane



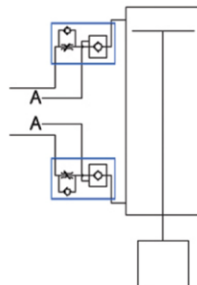
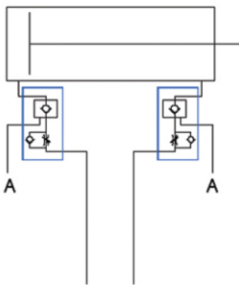
Products in compliance with
the directive 2002/95/EC

RoHS2

Products in compliance with
the directive 2011/65/EU

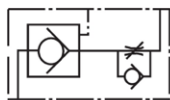
SILICON FREE

APPLIED EXAMPLE

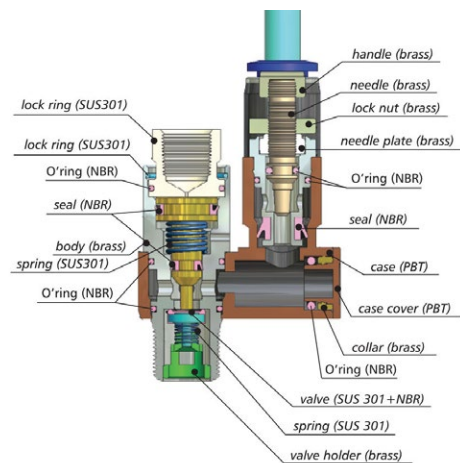
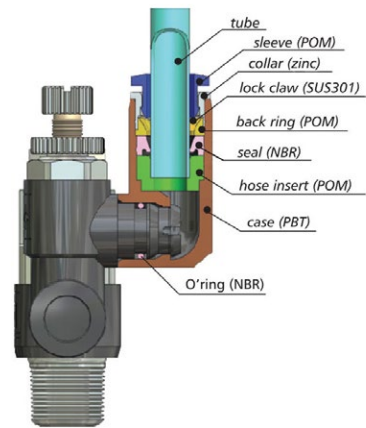


mounted in pairs lock the piston by
simultaneously cutting off the supply
and the exhaust

protect falling down of the rod
cylinder in the off state supply and
the exhaust



CONSTRUCTION MATERIALS



INSERTION OF THE TUBE INTO THE FITTING

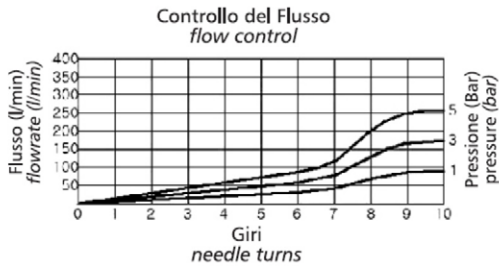
- Make sure the tube is fully inserted into the fitting.
- To insert the tube into the fitting cut the tube at a squared angle (90°), insert up to the end and pull gently to make sure it is correctly connected.
- If there are any damages or scratches on the tube surface or an oval shape, air leakage and tube release may occur. Check it carefully.
- The OD of polyurethane tubes expand when pressure is applied. Reinsertion into the fitting may not be possible. Check the OD of the tube and change the tube if the expansion is serious.
- Always remove by cutting the part of the tube previously inserted into the fitting. Use a proper tube cutter in order to cut the tube.

DISCONNECTION OF THE TUBE FROM THE FITTING

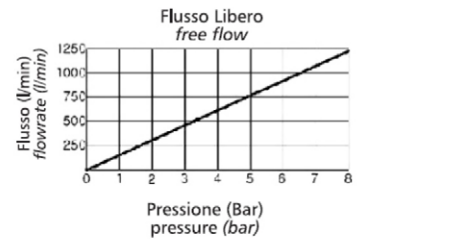
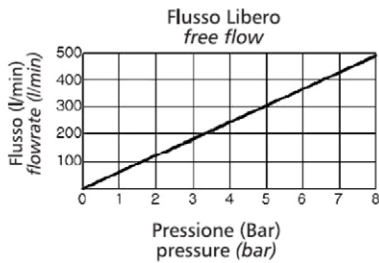
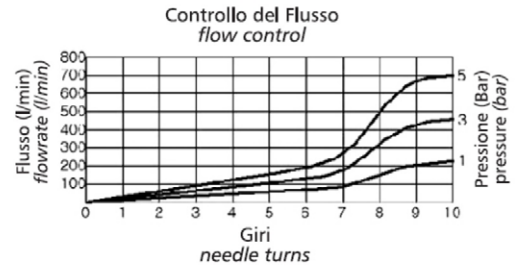
- Make sure the pressure is zero before releasing the tube from the fitting.
- To release the tube, press the release ring regularly at the end and pull the tube with one hand.

FLOW CHARTS

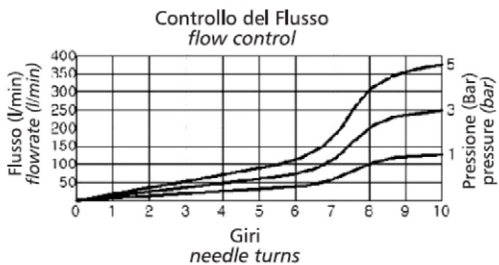
**PVSC 06-01
PVSC 08-01**



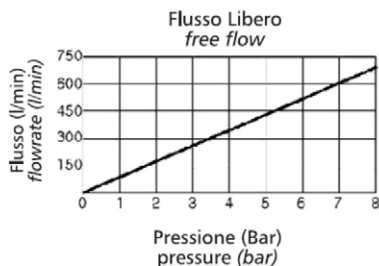
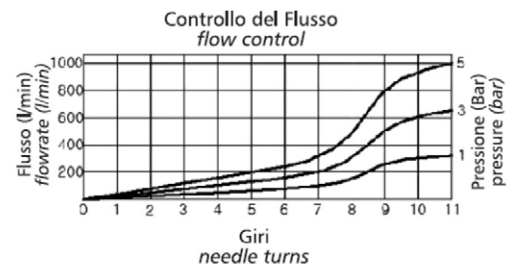
**PVSC 08-03
PVSC 10-03
PVSC 12-03**



**PVSC 06-02
PVSC 08-02**

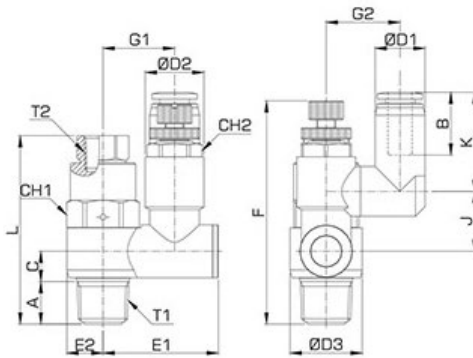


**PVSC 10-04
PVSC 12-04**



PVSC

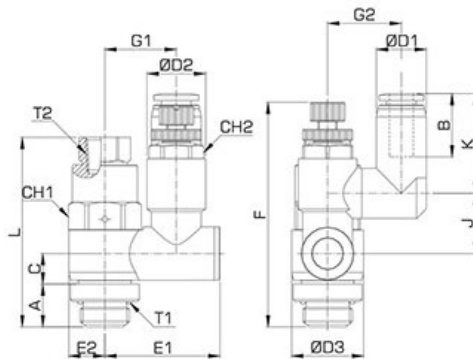
Flow regulator with pilot check valve BSPT thread nickel plated



CODE	ØD	T1	T2	A	B	ØD1	ØD2	ØD3	C	L	E1	E2	F-	F+	G1	G2	J	K	H1	H2	GR.
PVSC06R01	6	R1/8	M5	8,5	16,4	12,5	12,0	14,2	10,9	41,0	24,2	7,1	50,6	55,4	14,3	14,2	12,9	24,0	12	10	44,6
PVSC06R02	6	R1/4	G1/8	11,1	16,4	13,0	15,3	18,8	12,4	49,1	30,1	9,4	57,1	61,9	18,7	19,3	15,6	25,9	17	13	79,4
PVSC08R01	8	R1/8	M5	8,5	18,3	14,8	12,0	14,2	10,9	41,0	24,2	7,1	50,6	55,4	14,3	15,4	12,6	24,9	12	10	42,6
PVSC08R02	8	R1/4	G1/8	11,1	18,3	14,8	15,3	18,8	12,4	49,1	30,1	9,4	57,1	61,9	18,7	18,3	15,9	28,3	17	13	80,4
PVSC08R03	8	R3/8	G1/8	11,9	18,3	15,0	20,2	23,0	15,3	56,9	37,1	11,5	67,2	72,2	22,8	23,3	19,1	29,3	19	17	124,9
PVSC10R03	10	R3/8	G1/8	11,9	20,2	17,5	20,2	23,0	15,3	56,9	37,1	11,5	67,2	72,2	22,8	23,3	19,1	31,7	19	17	137,9
PVSC10R04	10	R1/2	G1/4	14,9	20,2	17,5	27,2	28,7	19,3	70,8	47,4	14,4	81,3	87,0	29,1	26,3	25,6	33,1	24	23	252,6
PVSC12R03	12	R3/8	G1/8	11,9	22,9	20,5	20,2	23,0	15,3	56,9	37,1	11,5	67,2	72,2	22,8	23,3	19,1	34,4	19	17	145,9
PVSC12R04	12	R1/2	G1/4	14,9	22,9	20,5	27,2	28,7	19,3	70,8	47,4	14,4	81,3	87,0	29,1	26,3	25,6	35,8	24	23	238,6

PVSC-G

Flow regulator with pilot check valve BSPP thread nickel plated



CODE	ØD	T1	T2	A	B	ØD1	ØD2	ØD3	C	L	E1	E2	F-	F+	G1	G2	J	K	H1	H2	GR.
PVSC06G01	6	G1/8	M5	5,1	16,4	12,5	12,0	14,2	10,9	41,0	24,2	7,1	50,6	55,4	14,3	14,2	12,9	24,0	12	10	44,6
PVSC06G02	6	G1/4	G1/8	6,6	16,4	13,0	15,3	18,8	12,4	49,1	30,1	9,4	57,1	61,9	18,7	19,3	15,6	25,9	17	13	79,4
PVSC08G01	8	G1/8	M5	5,1	18,3	14,8	12,0	14,2	10,9	41,0	24,2	7,1	50,6	55,4	14,3	15,4	12,6	24,9	12	10	42,6
PVSC08G02	8	G1/4	G1/8	6,6	18,3	14,8	15,3	18,8	12,4	49,1	30,1	9,4	57,1	61,9	18,7	18,3	15,9	28,3	17	13	80,4
PVSC08G03	8	G3/8	G1/8	7,2	18,3	15,0	20,2	23,0	15,3	56,9	37,1	11,5	67,2	72,2	22,8	23,3	19,1	29,3	19	17	124,9
PVSC10G03	10	G3/8	G1/8	7,2	20,2	17,5	20,2	23,0	15,3	56,9	37,1	11,5	67,2	72,2	22,8	23,3	19,1	31,7	19	17	137,9
PVSC10G04	10	G1/2	G1/4	8,7	20,2	17,5	27,2	28,7	19,3	70,8	47,4	14,4	81,3	87,0	29,1	26,3	25,6	33,1	24	23	252,6
PVSC12G03	12	G3/8	G1/8	7,2	22,9	20,5	20,2	23,0	15,3	56,9	37,1	11,5	67,2	72,2	22,8	23,3	19,1	34,4	19	17	145,9
PVSC12G04	12	G1/2	G1/4	8,7	22,9	20,5	27,2	28,7	19,3	70,8	47,4	14,4	81,3	87,0	29,1	26,3	25,6	35,8	24	23	238,6



FUNCTION FITTINGS EXHAUST VALVES

PLUS

WIDE RANGE OF MATERIALS STUDIED
FOR DIFFERENT USES

STRONG AND RELIABLE

AVAILABLE WITH REGULATION AND
SILENCER

GREAT EXHAUST SYSTEM

OPTIMIZATION OF RETURNING SPEED
OF THE CYLINDER

PLASTIC QUICK EXHAUST VALVES
FLAME RESISTANCE



PLASTIC QUICK
EXHAUST VALVE
WITH FLOW REGULATOR



p. 126 / **ESC-M**



p. 126 / **ESC**



p. 126 / **ESC-G**

BRASS QUICK
EXHAUST VALVES



p. 127 / **1100**



p. 128 / **1100-N**



p. 128 / **1101**



p. 128 / **1102**

QUICK EXHAUST
VALVES
INOX AISI 316

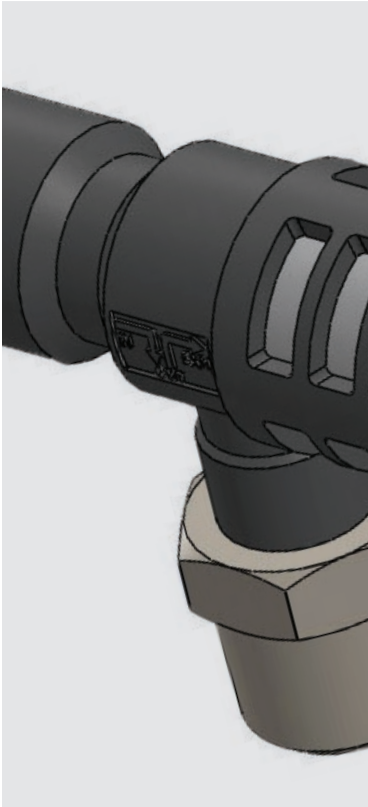


p. 130 / **1400**



p. 130 / **1400N**





0°C ÷ 60°C



10 Bar
Negative pressure:
-750 mmHg



Compressed air.
Do not use in water applications.



Manual



Taper gas BSPT ISO 7 from R1/8" to R1/2" with teflon coated
Parallel gas BSPP ISO 228 from G1/8" to G1/2"



Polyamide, Polyurethane.



Quick exhaust valve with speed controller.
High speed cylinders operation.
Silencer installed with speed controllers.
Flame Resistance for BSPT and BSPP threads

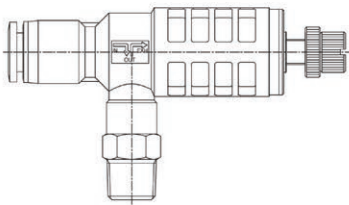
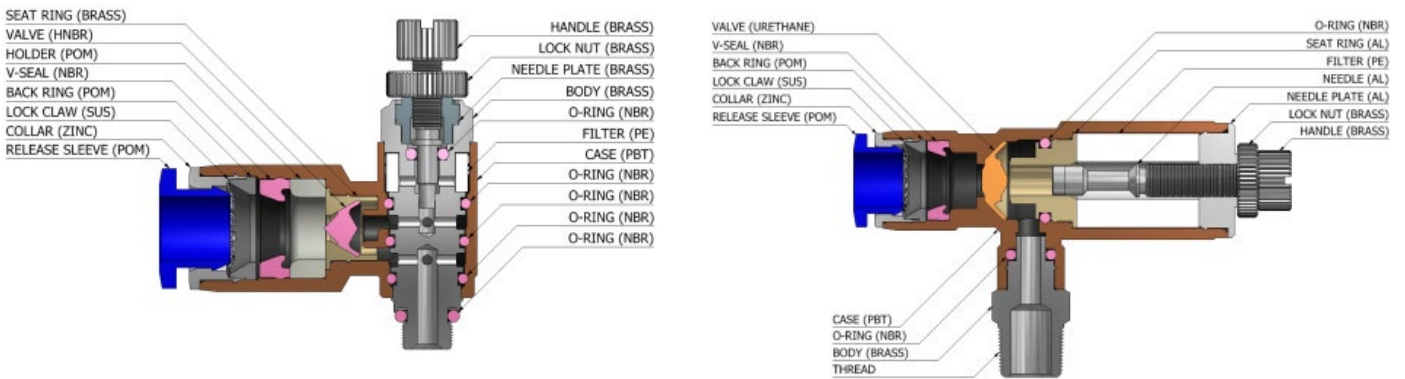


REACH
Products in compliance with the directive 2002/95/EC

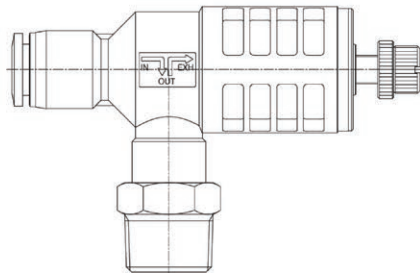
RoHS2

Products in compliance with the directive 2011/65/EU

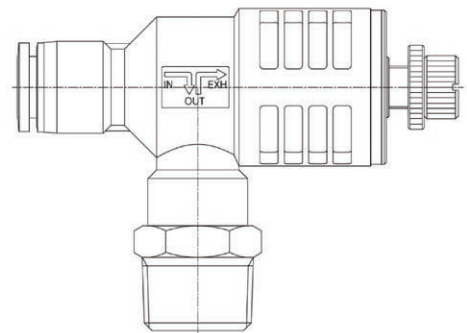
CONSTRUCTION MATERIALS



S



M

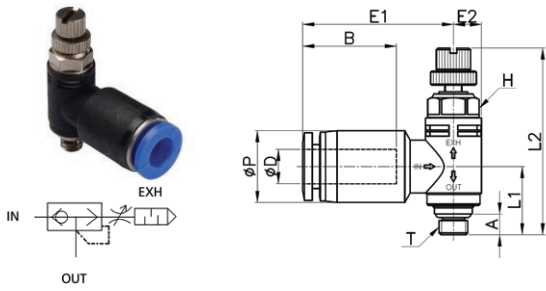


L



ESC-M

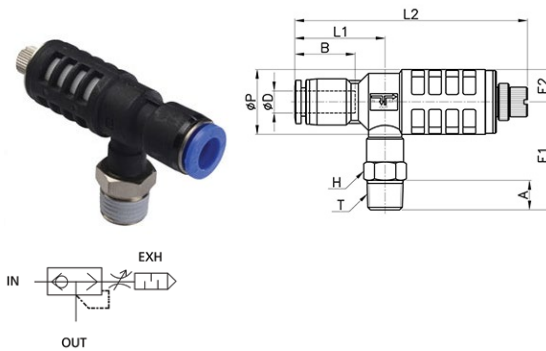
Flow regulator with automatic silenced quick exhaust valve Metric thread



CODE	ØD	ØP	T	L1	L2-	L2+	E1	E2	A	B	H	GR.
ESC04M3	4	10,3	M3*0,5P	11,9	32,2	34,7	25,8	4,9	3,0	14,8	8	11,4
ESC04M5	4	10,3	M5*0,8P	11,9	32,2	34,7	25,8	4,9	3,6	14,8	8	11,3
ESC06M5	6	12,5	M5*0,8P	11,9	32,2	34,7	26,4	4,9	3,6	16,5	8	12,3

ESC

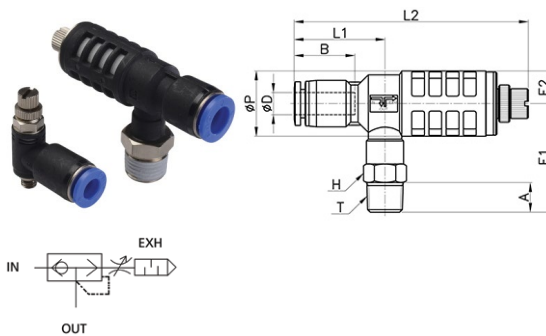
Flow regulator with automatic silenced quick exhaust valve BSPT thread



CODE	ØD	ØP	T	L1	L2 -	L2+	E1	E2	A	B	H	GR.
ESC06R01-S	6	12,5	R1/8"	24,5	63,3	72,0	29,3	8,8	8,0	16,5	10	21,5
ESC06R02-S	6	12,5	R1/4"	24,5	63,3	72,0	31,3	8,8	10,0	16,5	14	26,3
ESC08R01-S	8	14,8	R1/8"	26,5	65,1	71,7	29,3	8,8	8,0	18,3	10	22,5
ESC08R02-S	8	14,8	R1/4"	26,5	65,1	71,7	31,3	8,8	10,0	18,3	14	27,4
ESC08R01-M	8	14,8	R1/8"	29,8	73,2	82,3	34,5	12,0	8,0	18,3	14	40,0
ESC08R02-M	8	14,8	R1/4"	29,8	73,2	82,3	37,5	12,0	10,0	18,3	14	42,9
ESC08R03-M	8	14,8	R3/8"	29,8	73,2	82,3	38,5	12,0	11,0	18,3	17	48,5
ESC10R01-M	10	17,5	R1/8"	31,7	75,0	84,1	34,5	12,0	8,0	20,1	14	41,7
ESC10R02-M	10	17,5	R1/4"	31,7	75,0	84,1	37,5	12,0	10,0	20,1	14	44,7
ESC10R03-M	10	17,5	R3/8"	31,7	75,0	84,1	38,5	12,0	11,0	20,1	17	50,2
ESC10R02-L	10	17,5	R1/4"	34,4	80,1	88,6	42,4	15,0	10,0	20,1	19	72,5
ESC10R03-L	10	17,5	R3/8"	34,4	80,1	88,6	43,4	15,0	11,0	20,1	19	76,5
ESC10R04-L	10	17,5	R1/2"	34,4	80,1	88,6	46,4	15,0	14,0	20,1	21	85,2
ESC12R02-L	12	20,5	R1/4"	37,1	83,1	91,6	42,4	15,0	10,0	23,1	19	75,2
ESC12R03-L	12	20,5	R3/8"	37,1	83,1	91,6	43,4	15,0	11,0	23,1	19	79,2
ESC12R04-L	12	20,5	R1/2"	37,1	83,1	91,6	46,4	15,0	14,0	23,1	21	88,1

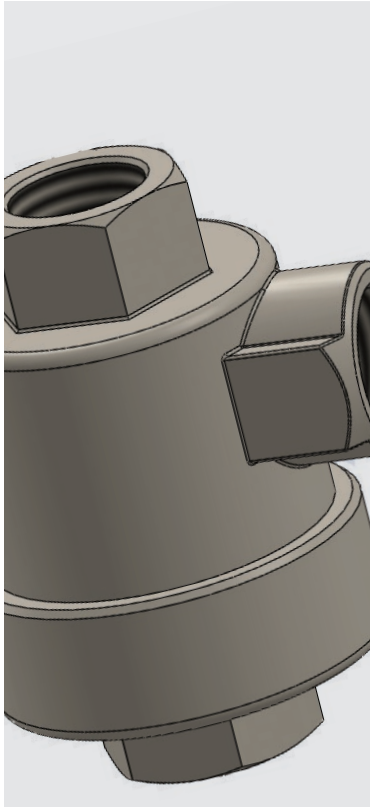
ESC-G

Flow regulator with automatic silenced quick exhaust valve BSPP thread



CODE	ØD	ØP	T	L1	L2-	L2+	E1	E2	A	B	H	GR.
ESC06G01-S	6	12,5	G1/8"	24,5	63,3	72,0	26,3	4,9	5,0	16,5	14	24,5
ESC06G02-S	6	12,5	G1/4"	24,5	63,3	72,0	28,3	4,9	6,5	16,5	17	28,3
ESC08G01-S	8	14,8	G1/8"	26,5	65,1	71,7	26,3	8,8	5,0	18,3	14	25,5
ESC08G02-S	8	14,8	G1/4"	26,5	65,1	71,7	28,3	8,8	6,5	18,3	17	29,4
ESC08G01-M	8	14,8	G1/8"	29,8	73,2	82,3	31,5	12,0	5,0	18,3	14	38,0
ESC08G02-M	8	14,8	G1/4"	29,8	73,2	82,3	33,5	12,0	6,5	18,3	17	41,9
ESC08G03-M	8	14,8	G3/8"	29,8	73,2	82,3	33,0	12,0	6,5	18,3	20	46,5
ESC10G01-M	10	17,5	G1/8"	31,7	75,0	84,1	31,5	12,0	5,0	20,1	14	39,7
ESC10G02-M	10	17,5	G1/4"	31,7	75,0	84,1	33,5	12,0	6,5	20,1	17	43,7
ESC10G03-M	10	17,5	G3/8"	31,7	75,0	84,1	33,0	12,0	6,5	20,1	20	48,2
ESC10G02-L	10	17,5	G1/4"	34,4	80,1	88,6	38,4	15,0	6,5	20,1	19	68,5
ESC10G03-L	10	17,5	G3/8"	34,4	80,1	88,6	37,9	15,0	6,5	20,1	20	71,5
ESC10G04-L	10	17,5	G1/2"	34,4	80,1	88,6	39,4	15,0	8,0	20,1	24	78,2
ESC12G02-L	12	20,5	G1/4"	37,1	83,1	91,6	38,4	15,0	6,5	23,1	19	71,2
ESC12G03-L	12	20,5	G3/8"	37,1	83,1	91,6	37,9	15,0	6,5	23,1	20	74,2
ESC12G04-L	12	20,5	G1/2"	37,1	83,1	91,6	39,4	15,0	8,0	23,1	24	81,1





-20°C ÷ 80°C



From 0,5 to 10 Bar



Compressed air and fluids compatible with construction materials.



Parallel gas BSPP ISO 228 from G1/8" to G1"
Metric ISO 262 M5
NPT from N1/8" to N1/2"



Nickel plated brass
UNI EN 12165 CW 617N

Membrane: NBR for M5 thread
Polyurethane elastomer for other threads

Cap seal: Nylon



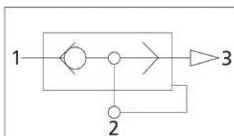
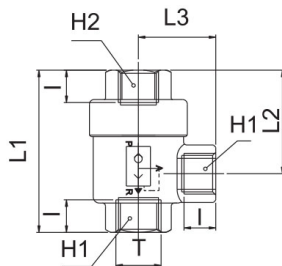
Products in compliance with the directive 2002/95/EC

RoHS2

Products in compliance with the directive 2011/65/EU

1100

Nickel plated brass quick exhaust valve BSPP thread

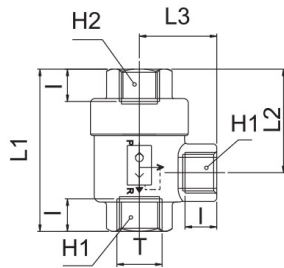


CODE	T	I	L1	L2	L3	H1	H2	GR.
1100TRM5	M5	4,0	24,8	15,6	10,5	10	10	27
1100TR18	G1/8"	8,0	42,0	28,0	19,5	14	14	84
1100TR14	G1/4"	11,0	53,0	34,5	25,0	19	19	146
1100TR38	G3/8"	12,0	58,0	36,0	26,0	21	21	150
1100TR12	G1/2"	14,0	71,0	44,0	35,0	26	26	314
1100TR34	G3/4"	18,0	86,0	52,0	38,5	32	32	450
1100TR1	G1"	19,0	94,0	56,0	42,0	38	38	525

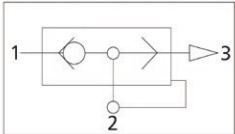


1100-N

Nickel plated brass quick exhaust valve NPT thread

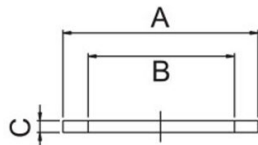


CODE	T	I	L1	L2	L3	H1	H2	GR.
1100TRN18	N1/8"	8,0	42,0	28,0	19,5	14	14	84
1100TRN14	N1/4"	11,0	53,0	34,5	25,0	19	19	146
1100TRN38	N3/8"	12,0	58,0	36,0	26,0	21	21	150
1100TRN12	N1/2"	14,0	71,0	44,0	35,0	26	26	314



1101

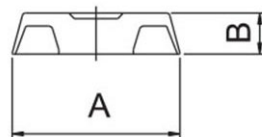
Body/cap seal in nylon



CODE	T	A	B	C	GR.
1101TRM5	M5	17,0	12,4	0,8	0,080
1101TR18	1/8"	23,8	20,0	1,0	0,014
1101TR14	1/4"	28,5	24,0	1,0	0,018
1101TR38	3/8"	28,5	24,0	1,0	0,018
1101TR12	1/2"	38,6	32,0	1,5	0,030
1101TR34	3/4"	45,0	38,0	1,5	0,760
1101TR1	1"	45,0	38,0	1,5	0,760

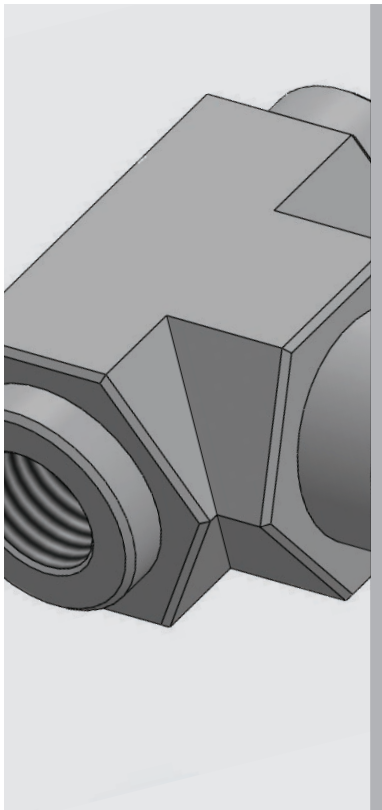
1102

Membrane in polyurethane elastomer for valve



CODE	T	A	B	GR.
1102TRM5	M5	13,5	4,5	0,4
1102TR18	1/8"	20,5	5,0	1,1
1102TR14	1/4"	25,5	5,8	1,9
1102TR38	3/8"	25,5	5,8	1,9
1102TR12	1/2"	35,5	8,2	2,5
1102TR34	3/4"	40,5	9,0	7,0
1102TR1	1"	40,5	9,0	7,0





Up to 120°C



From 0 to 40 Bar



Compressed air in aggressive environments.



Parallel gas BSPP ISO 228
from G1/8" to G1"
NPT 1/4" - 1/2" - 1"



Body: Polyurethane elastomer
stainless steel AISI 316

Sealing: from 1/8" to 1/4" Viton
from 3/8" to 1" polyurethane



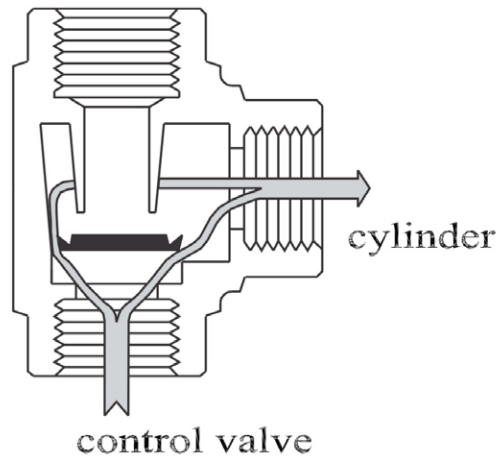
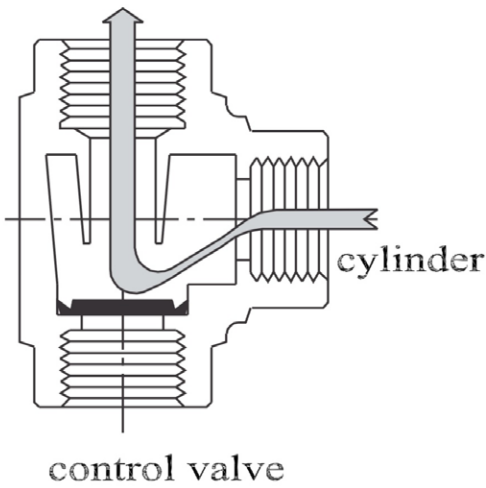
Products in compliance with
the directive 2002/95/EC

RoHS2

Products in compliance with
the directive 2011/65/EU

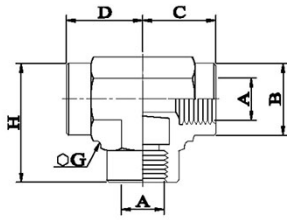
FLOW

free exhaust

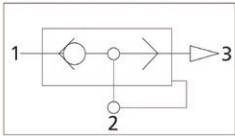


1400

Stainless steel AISI 316 quick exhaust valve BSPP thread

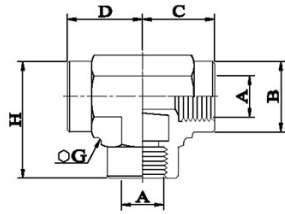


CODE	A	B	C	D	H	G	GR.
1400TR18	G1/8"	17	21	16,5	31,5	22	125
1400TR14	G1/4"	17	21	16,5	31,5	22	155
1400TR38	G3/8"	22	25,5	19	37	27	202
1400TR12	G1/2"	27	31	23	46	32	305
1400TR34	G3/4"	38	44	35	46	46	915
1400TR1	G1"	38	44	35	46	46	1380

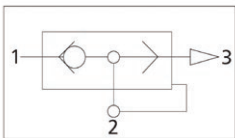


1400-N

Stainless steel AISI 316 quick exhaust valve NPT thread



CODE	A	B	C	D	H	G	GR.
1400TRN14	N1/4"	17	21	16,5	31,5	22	155
1400TRN12	N1/2"	27	31	23	46	32	305
1400TRN1	N1"	38	44	35	46	46	1380



FUNCTION FITTINGS

MANUAL VALVES

PLUS

EASY AND INTUITIVE USE

**WIDE RANGE OF PRODUCTS
AVAILABLE FOR DIFFERENT
APPLICATIONS**

**LARGE RANGE
OF SOLUTIONS AVAILABLE**

**SAFETY SYSTEM AVAILABLE
WITH SLIDE LOCK**



SLIDE VALVES



p. 134 / **1610**



p. 134 / **1620**

SLIDE VALVES WITH SECURITY BLOCK



p. 135 / **1605**

CDC PNEUMATICS MANUAL VALVES



p. 137 / **HVC-R**



p. 137 / **HVC-G**



p. 138 / **HVF-R**



p. 138 / **HVF-G**



p. 139 / **HVM-R**



p. 139 / **HVM-G**



p. 140 / **HVU**

DUALTECH VALVES



p. 141 / **9020**

TRIOTECH VALVES



p. 142 / **9030**



p. 142 / **9031**

PLASTIC HAND VALVES FOR HIGH PERFORMANCE



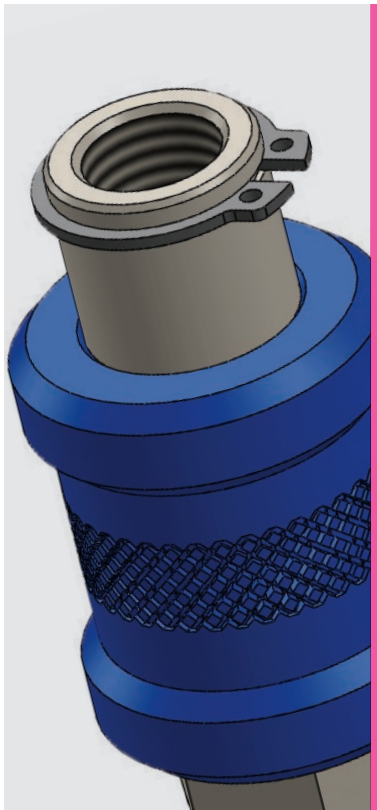
p. 143 / **HBVU**

PLASTIC BALL VALVES FOR HIGH PERFORMANCE



p. 144 / **HCVB**





-5°C ÷ 70°C



from 0 to 10 Bar



Compressed air, lubricated compressed air, various gases compatible with construction materials (except gases which can be dangerous for people and things).



1610: Parallel gas BSPP ISO 228 from G1/8" to G3/4" Metric ISO 262 M5

1620: NPT from N1/8" to N1/2"



Body: Brass CW614N chrome plated

Slider: Blue anodized aluminum

O'Ring: NBR 70

Elastic ring: Steel



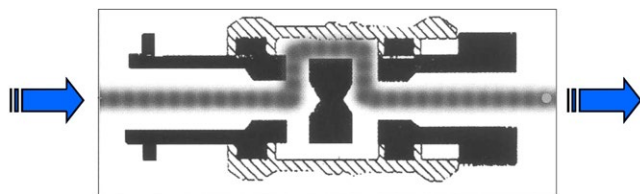
Products in compliance with the directive 2002/95/EC

RoHS2

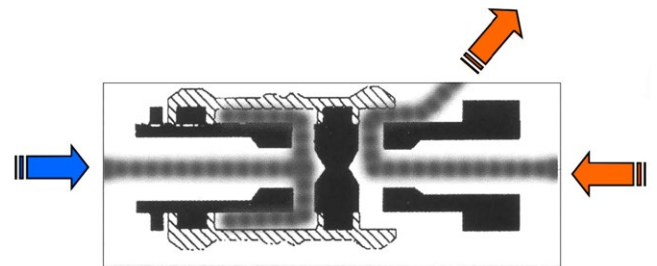
Products in compliance with the directive 2011/65/EU

DIRECTION OF THE FLOW

Indication of the fluid direction engraved on the body.



Valvola in posizione di APERTO
Slide in OPEN position



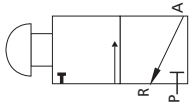
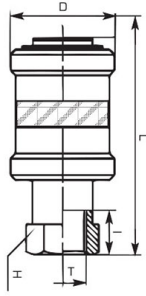
Valvola in posizione di CHIUSO
Slide in CLOSED position

FLOW RATE

							→
FLOW	M5	1/8	1/4	3/8	1/2	3/4	
Nl/min	100	680	1300	2100	3800	5700	



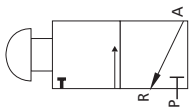
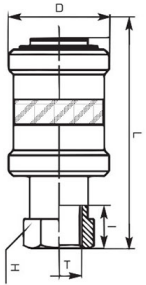
1610



Slide valve BSPP & metric thread

CODE	T	D	I	L	H	GR.
1610TRM5	M5	14	5,0	30,5	10	11
1610TR18	G1/8"	25	9,0	48,0	14	51
1610TR14	G1/4"	30	11,5	58,0	19	98
1610TR38	G3/8"	35	12,0	70,0	22	156
1610TR12	G1/2"	40	15,0	75,0	27	212
1610TR34	G3/4"	50	16,5	83,0	32	317

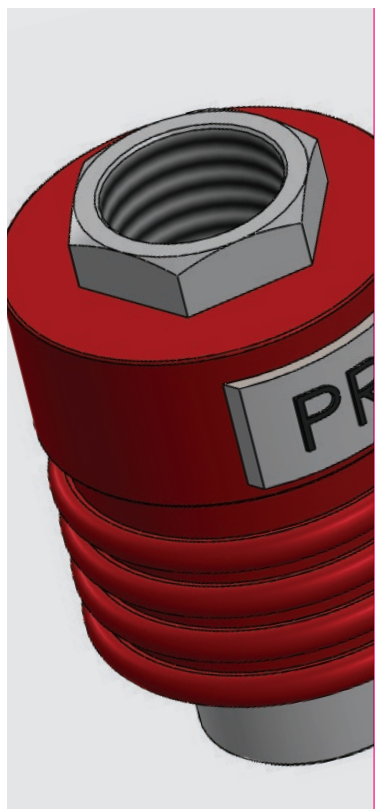
1620



Slide valve NPT thread

CODE	T	D	I	L	H	GR.
1620TR18	N1/8"	25	8	55,5	14	51
1620TR14	N1/4"	30	11	69,0	19	98
1620TR38	N3/8"	35	12	81,5	22	156
1620TR12	N1/2"	40	15	90,0	27	212





-5°C ÷ 70°C



from 0 to 10 Bar



Compressed air, lubricated compressed air, various gases compatible with construction materials (except gases which can be dangerous for people and things).



Parallel gas BSPP ISO 228 from G1/4" to G1/2"



Indication of the fluid direction engraved on the body.



- Pin:** brass chrome plated
- Slider:** red painted aluminium
- Seals:** NBR 70
- Elastic ring:** stainless steel AISI 302
- Cursor:** brass chrome plated
- Spring:** stainless steel AISI 302

Available on demand with lockable



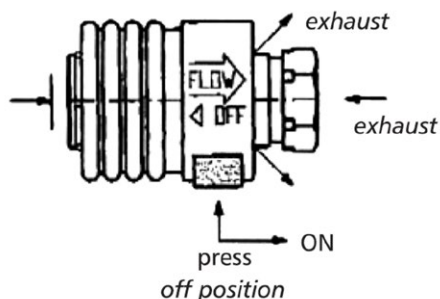
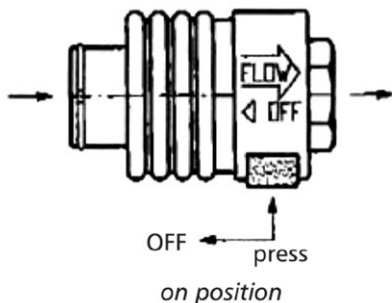
Products in compliance with the directive 2002/95/EC

RoHS2

Products in compliance with the directive 2011/65/EU

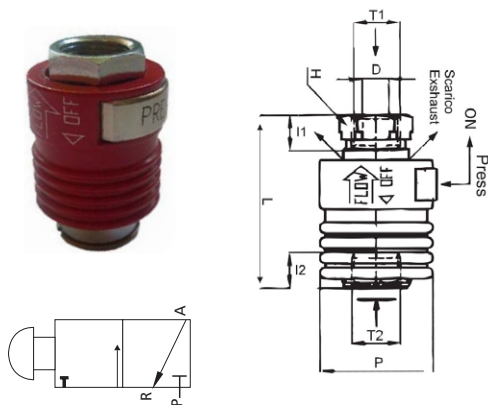
SECURITY

The double block system avoid the accidental valve opening or closing.



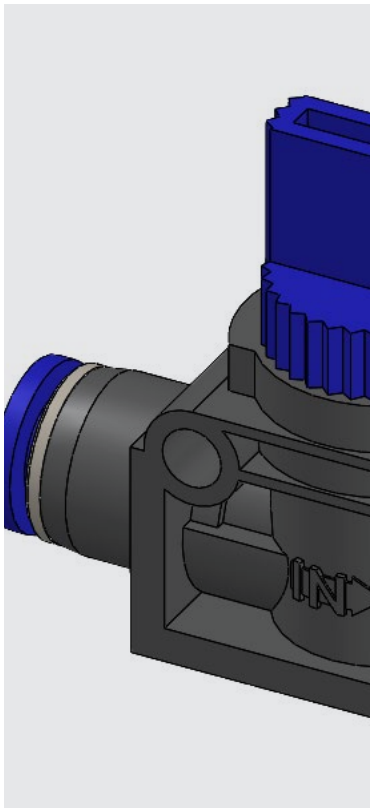
1605

Slide valve with security block BSPP thread



CODE	T1	T2	L	I1	I2	D	P	H	GR.
1605TR14	G1/4"	G1/4"	46	9,5	9,5	8	30	17	86
1605TR38	G3/8"	G3/8"	52	10,5	10,5	10	35	21	127
1605TR12	G1/2"	G1/2"	62	12,0	12,0	12,5	40	26	204





0°C ÷ 60°C



From 0 to 10 Bar
Negative pressure: -750 mmHg



Compressed air



Taper gas BSPT ISO 7 from R1/8" to R1/2" Teflon coated
 Parallel gas BSPP ISO 228 with OR from G1/8" to G1/2"



Polyamide, polyurethane



Body: brass nickel plated & PBT

Lock claw: steel AISI 301

Seals: NBR silicon free

Sleeve: POM

Valve: POM



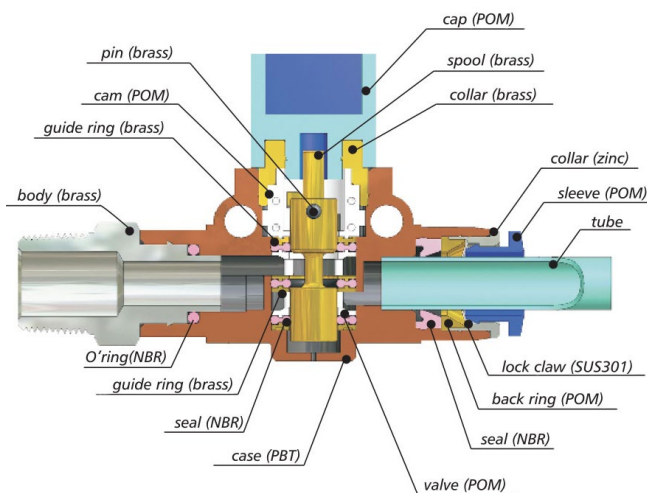
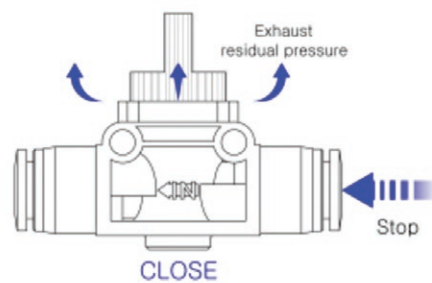
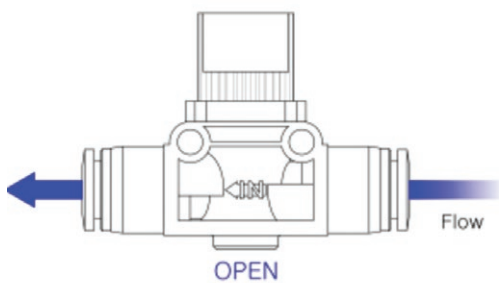
Products in compliance with the directive 2002/95/EC

RoHS2

Products in compliance with the directive 2011/65/EU

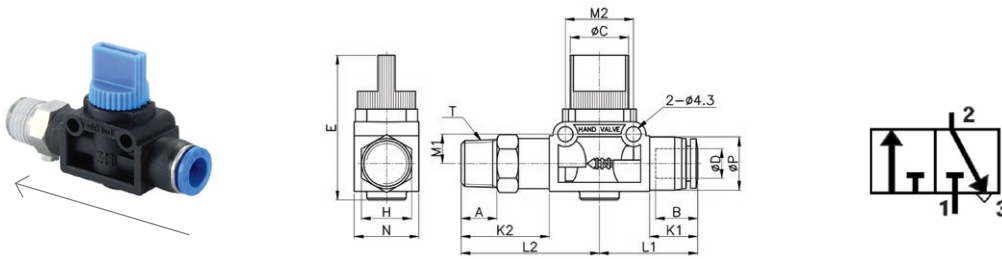
FLOW

3/2 ways mini valves discharge the remaining pressure out and block the incoming air in the off state.



HVC-R

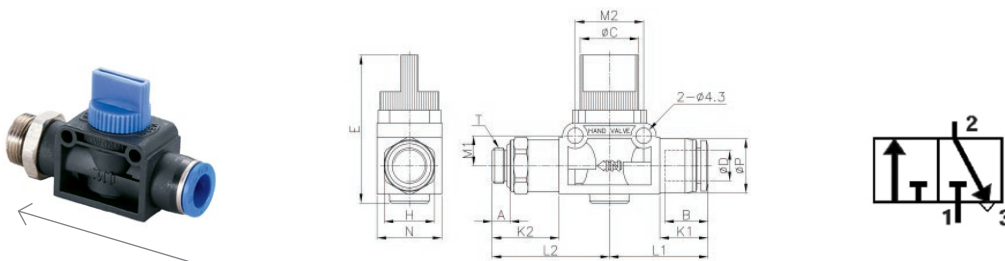
Male hand valve BSPT thread (flow tube-thread)



CODE	ØD	T	ØP	H	ØC	N	E	B	A	K1	K2	L1	L2	M1	M2	GR.
HVC06R01	6	R1/8"	12,5	14,0	16,3	18,0	40,3	16,4	8,0	12,2	21,6	26,2	25,6	8,2	19,0	37,0
HVC06R02	6	R1/4"	12,5	14,0	16,3	18,0	40,3	16,4	10,0	12,2	24,6	26,2	38,6	8,2	19,0	37,0
HVC06R03	6	R3/8"	12,5	17,0	16,3	18,0	40,3	16,4	11,0	12,2	25,6	26,2	39,6	8,2	19,0	47,0
HVC08R01	8	R1/8"	14,8	14,0	16,3	18,0	40,3	18,3	8,0	13,4	21,6	27,4	35,6	8,2	19,0	35,0
HVC08R02	8	R1/4"	14,8	14,0	16,3	18,0	40,3	18,3	10,0	13,4	24,6	27,4	38,6	8,2	19,0	41,0
HVC08R03	8	R3/8"	14,8	17,0	16,3	18,0	40,3	18,3	11,0	13,4	25,6	27,4	39,6	8,2	19,0	48,0
HVC10R02	10	R1/4"	17,5	17,0	19,3	21,2	40,5	20,2	10,0	14,5	23,0	31,0	39,5	10,9	24,0	58,0
HVC10R03	10	R3/8"	17,5	17,0	19,3	21,2	40,5	20,2	11,0	14,5	24,0	31,0	40,5	10,9	24,0	61,0
HVC10R04	10	R1/2"	17,5	21,0	19,3	21,2	40,5	20,2	14,0	14,5	27,0	31,0	43,5	10,9	24,0	82,0
HVC12R02	12	R1/4"	20,5	19,0	19,3	21,2	40,5	22,9	10,0	17,6	24,6	34,1	41,1	10,9	24,0	69,0
HVC12R03	12	R3/8"	20,5	19,0	19,3	21,2	40,5	22,9	11,0	17,6	25,6	34,1	42,1	10,9	24,0	68,0
HVC12R04	12	R1/2"	20,5	21,0	19,3	21,2	40,5	22,9	14,0	17,6	28,6	34,1	45,1	10,9	24,0	76,0

HVC-G

Male hand valve BSPP thread (flow tube-thread)

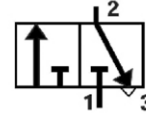
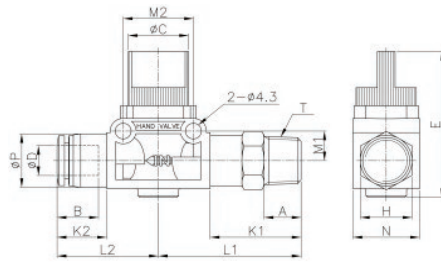


CODE	ØD	T	ØP	H	ØC	N	E	A	B	K1	K2	L1	L2	M1	M2	GR.
HVC06G01	6	G1/8"	12,5	14	16,3	18,0	40,3	5,0	16,4	12,3	18,6	26,3	32,6	8,2	19,0	37
HVC06G02	6	G1/4"	12,5	17	16,3	18,0	40,3	6,5	16,4	12,3	20,6	26,3	34,6	8,2	19,0	37
HVC06G03	6	G3/8"	12,5	20	16,3	18,0	40,3	6,5	16,4	12,3	20,1	26,3	34,1	8,2	19,0	47
HVC08G01	8	G1/8"	14,8	14	16,3	18,0	40,3	5,0	18,7	13,9	18,6	27,9	32,6	8,2	19,0	35
HVC08G02	8	G1/4"	14,8	17	16,3	18,0	40,3	6,5	18,7	13,9	20,6	27,9	34,6	8,2	19,0	41
HVC08G03	8	G3/8"	14,8	20	16,3	18,0	40,3	6,5	18,7	13,9	20,1	27,9	34,1	8,2	19,0	48
HVC10G02	10	G1/4"	17,5	17	19,3	21,2	40,5	6,5	20,1	14,4	19,0	30,9	35,5	10,9	24,0	58
HVC10G03	10	G3/8"	17,5	20	19,3	21,2	40,5	6,5	20,1	14,4	18,5	30,9	35,0	10,9	24,0	61
HVC10G04	10	G1/2"	17,5	24	19,3	21,2	40,5	8,0	20,1	14,4	20,0	30,9	36,5	10,9	24,0	82
HVC12G02	12	G1/4"	20,5	19	19,3	21,2	40,5	6,5	22,8	17,6	20,6	34,1	37,1	10,9	24,0	69
HVC12G03	12	G3/8"	20,5	20	19,3	21,2	40,5	6,5	22,8	17,6	20,1	34,1	36,6	10,9	24,0	68
HVC12G04	12	G1/2"	20,5	24	19,3	21,2	40,5	8,0	22,8	17,6	21,6	34,1	38,1	10,9	24,0	76



HVF-R

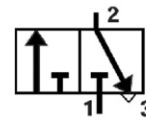
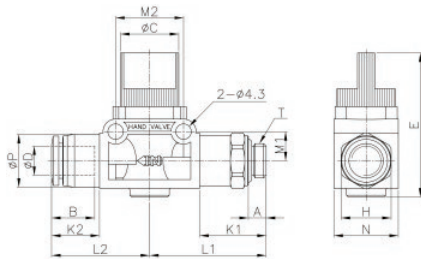
Male hand valve BSPT thread (flow thread-tube)



CODE	ØD	T	ØP	H	ØC	N	E	A	B	K1	K2	L1	L2	M1	M2	GR.
HVF06R01	6	R1/8"	12,5	14	16,3	18,0	40,3	8,0	16,4	21,6	12,3	35,6	26,3	8,2	19,0	37
HVF06R02	6	R1/4"	12,5	14	16,3	18,0	40,3	10,0	16,4	24,6	12,3	38,6	26,3	8,2	19,0	37
HVF06R03	6	R3/8"	12,5	17	16,3	18,0	40,3	11,0	16,4	25,6	12,3	39,6	26,3	8,2	19,0	47
HVF08R01	8	R1/8"	14,8	14	16,3	18,0	40,3	8,0	18,7	21,6	13,9	35,6	27,9	8,2	19,0	35
HVF08R02	8	R1/4"	14,8	14	16,3	18,0	40,3	10,0	18,7	24,6	13,9	38,6	27,9	8,2	19,0	41
HVF08R03	8	R3/8"	14,8	17	16,3	18,0	40,3	11,0	18,7	25,6	13,9	39,6	27,9	8,2	19,0	48
HVF10R02	10	R1/4"	17,5	17	19,3	21,2	40,5	10,0	20,1	23,0	14,4	39,5	30,9	10,9	24,0	58
HVF10R03	10	R3/8"	17,5	17	19,3	21,2	40,5	11,0	20,1	24,0	14,4	40,5	30,9	10,9	24,0	61
HVF10R04	10	R1/2"	17,5	21	19,3	21,2	40,5	14,0	20,1	27,0	14,4	43,5	30,9	10,9	24,0	82
HVF12R02	12	R1/4"	20,5	19	19,3	21,2	40,5	10,0	22,8	24,6	17,6	41,1	34,1	10,9	24,0	69
HVF12R03	12	R3/8"	20,5	19	19,3	21,2	40,5	11,0	22,8	25,6	17,6	42,1	34,1	10,9	24,0	68
HVF12R04	12	R1/2"	20,5	21	19,3	21,2	40,5	14,0	22,8	28,6	17,6	45,1	34,1	10,9	24,0	76

HVF-G

Male hand valve BSPP thread (flow thread-tube)

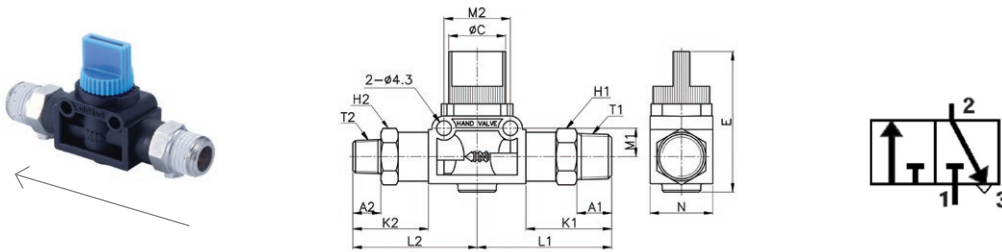


CODE	ØD	T	ØP	H	ØC	N	E	A	B	K1	K2	L1	L2	M1	M2	GR.
HVF06G01	6	G1/8"	12,5	14	16,3	18,0	40,3	5,0	16,4	18,6	12,3	32,6	26,3	8,2	19,0	37
HVF06G02	6	G1/4"	12,5	17	16,3	18,0	40,3	6,5	16,4	20,6	12,3	34,6	26,3	8,2	19,0	37
HVF06G03	6	G3/8"	12,5	20	16,3	18,0	40,3	6,5	16,4	20,1	12,3	34,1	26,3	8,2	19,0	47
HVF08G01	8	G1/8"	14,8	14	16,3	18,0	40,3	5,0	18,7	18,6	13,9	32,6	27,9	8,2	19,0	35
HVF08G02	8	G1/4"	14,8	17	16,3	18,0	40,3	6,5	18,7	20,6	13,9	34,6	27,9	8,2	19,0	41
HVF08G03	8	G3/8"	14,8	20	16,3	18,0	40,3	6,5	18,7	20,1	13,9	34,1	27,9	8,2	19,0	48
HVF10G02	10	G1/4"	17,5	17	19,3	21,2	40,5	6,5	20,1	19,0	14,4	35,5	30,9	10,9	24,0	58
HVF10G03	10	G3/8"	17,5	20	19,3	21,2	40,5	6,5	20,1	18,5	14,4	35,0	30,9	10,9	24,0	61
HVF10G04	10	G1/2"	17,5	24	19,3	21,2	40,5	8,0	20,1	20,0	14,4	36,5	30,9	10,9	24,0	82
HVF12G02	12	G1/4"	20,5	19	19,3	21,2	40,5	6,5	22,8	20,6	17,6	37,1	34,1	10,9	24,0	69
HVF12G03	12	G3/8"	20,5	20	19,3	21,2	40,5	6,5	22,8	20,1	17,6	36,6	34,1	10,9	24,0	68
HVF12G04	12	G1/2"	20,5	24	19,3	21,2	40,5	8,0	22,8	21,6	17,6	38,1	34,1	10,9	24,0	76



HVM-R

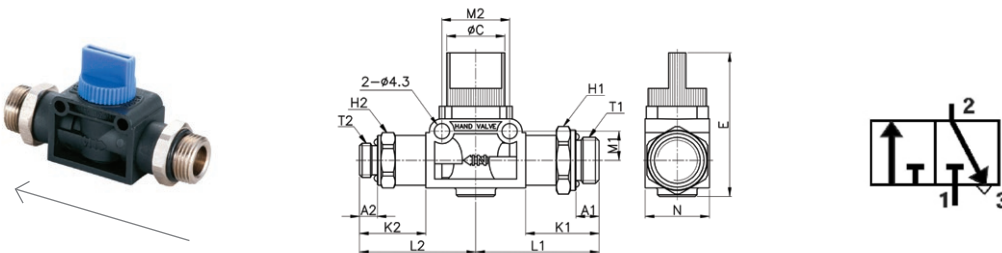
Male hand valve BSPT thread



CODE	T1	T2	H1	H2	ØC	N	E	A1	A2	K1	K2	L1	L2	M1	M2	GR.
HVM01R01	R1/8"	R1/8"	14	14	16,3	18,0	40,3	8,0	8,0	21,6	21,6	35,6	35,6	8,2	19,0	47
HVM02R01	R1/4"	R1/8"	14	14	16,3	18,0	40,3	10,0	8,0	24,6	21,6	38,6	35,6	8,2	19,0	49
HVM02R02	R1/4"	R1/4"	14	14	16,3	18,0	40,3	10,0	10,0	24,6	24,6	38,6	38,6	8,2	19,0	50
HVM03R02	R3/8"	R1/4"	17	17	19,3	21,2	40,5	11,0	10,0	24,0	24,6	40,5	38,6	10,9	24,0	64
HVM03R03	R3/8"	R3/8"	17	17	19,3	21,2	40,5	11,0	11,0	24,0	24,0	40,5	40,5	10,9	24,0	83
HVM04R03	R1/2"	R3/8"	21	19	19,3	21,2	40,5	14,0	11,0	28,6	24,0	45,1	40,5	10,9	24,0	103
HVM04R04	R1/2"	R1/2"	21	21	19,3	21,2	40,5	14,0	14,0	28,6	28,6	45,1	45,1	10,9	24,0	121

HVM-G

Male hand valve BSPP thread

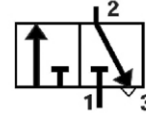
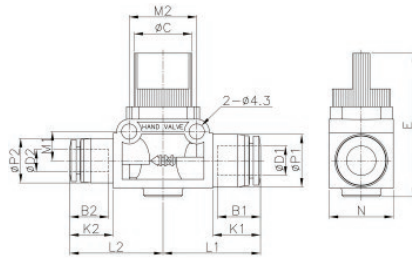


CODE	T1	T2	H1	H2	ØC	N	E	A1	A2	K1	K2	L1	L2	M1	M2	GR.
HVM01G01	G1/8"	G1/8"	14,0	14,0	16,3	18,0	40,3	5,0	5,0	18,6	18,6	32,6	32,6	8,2	19,0	47,0
HVM02G01	G1/4"	G1/8"	17,0	14,0	16,3	18,0	40,3	6,5	5,0	20,6	18,6	34,6	32,6	8,2	19,0	49,0
HVM02G02	G1/4"	G1/4"	17,0	17,0	16,3	18,0	40,3	6,5	6,5	20,6	20,6	34,6	34,6	8,2	19,0	50,0
HVM03G02	G3/8"	G1/4"	20,0	17,0	19,3	21,2	40,5	6,5	6,5	18,5	20,6	35,0	34,6	10,9	24,0	64,0
HVM03G03	G3/8"	G3/8"	20,0	20,0	19,3	21,2	40,5	6,5	6,5	18,5	18,5	35,0	35,0	10,9	24,0	83,0
HVM04G03	G1/2"	G3/8"	24,0	20,0	19,3	21,2	40,5	8,0	6,5	21,6	18,5	38,1	35,0	10,9	24,0	103,0
HVM04G04	G1/2"	G1/2"	24,0	24,0	19,3	21,2	40,5	8,0	8,0	21,6	21,6	38,1	38,1	10,9	24,0	121,0



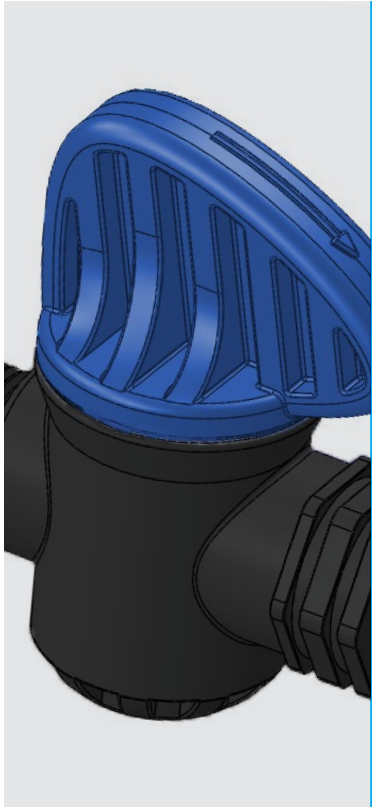
HVU

Union hand valve tube-tube



CODE	ØD1	ØD2	ØP1	ØP2	ØC	N	E	B1	B2	K1	K2	L1	L2	M1	M2	GR.
HVU0606	6	6	12,5	12,5	16,3	18,0	40,3	16,4	16,4	12,3	12,3	26,3	26,3	8,2	19,0	27
HVU0806	8	6	14,8	12,5	16,3	18,0	40,3	18,7	16,4	13,9	12,3	27,9	26,3	8,2	19,0	27
HVU0808	8	8	14,8	14,8	16,3	18,0	40,3	18,7	18,7	13,9	13,9	27,9	27,9	8,2	19,0	28
HVU1008	10	8	17,5	14,8	19,3	21,2	40,5	20,1	18,7	14,4	13,9	30,9	27,9	10,9	24,0	41
HVU1010	10	10	17,5	17,5	19,3	21,2	40,5	20,1	20,1	14,4	14,4	30,9	30,9	10,9	24,0	42
HVU1210	12	10	20,5	17,5	19,3	21,2	40,5	22,8	20,1	17,6	14,4	34,1	30,9	10,9	24,0	45
HVU1212	12	12	20,5	20,5	19,3	21,2	40,5	22,8	22,8	17,6	17,6	34,1	34,1	10,9	24,0	47







 -20°C ÷ 90°C

 From 0 to 16 Bar

 Water

 Taper BSPT ISO 7 1/4"

 **Body & handle:** POM/Acetal
O'Rings: NBR

ADVANTAGES

Low pressure drop, easy and quick to install, environment friendly and non-toxic. WRAS approved (cold water use only).

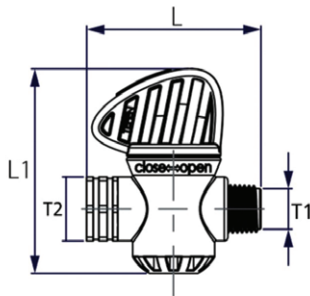
 **REACH** Products in compliance with the directive 2002/95/EC

RoHS2 Products in compliance with the directive 2011/65/EU

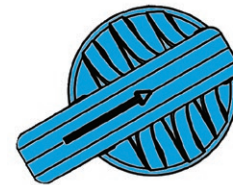


9020

Two way valve M/F BSPT with lever

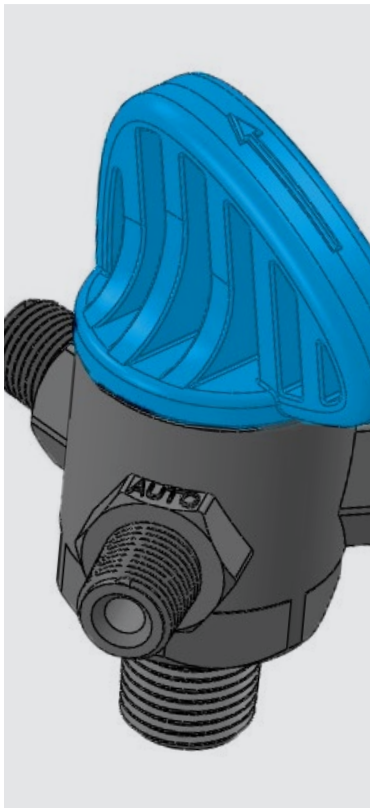


CODE	T1	T2	L	L1	GR.
9020TR14	R1/4"	R1/4"	51,2	57,6	70



The arrow on the handle indicates the direction of the flow.





-5°C ÷ 60°C



From 0 to 10 Bar

FLOW DROP
Approx. 12%



Water



Taper BSPT ISO 7
from R1/8" to R1/4"



Body: Polypropylene +30% GF
O'Rings: EPDM

ADVANTAGES

Capacity to handle a wide range of aggressive chemicals. Suitable for applications such as filtering system.



Products in compliance with the directive 2002/95/EC

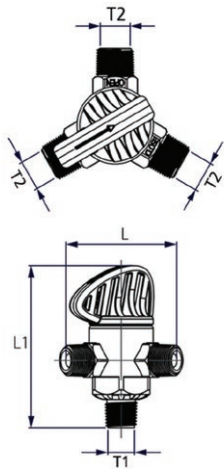
RoHS2

Products in compliance with the directive 2011/65/EU

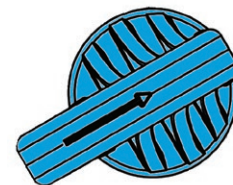
WRAS
Water Regulations Authority Scheme

9030

Three ways valve male BSPT



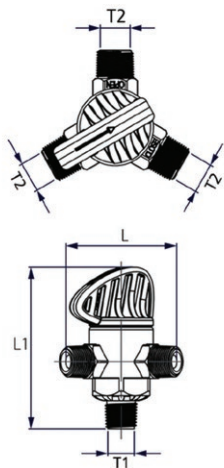
CODE	T1	T2	L	L1	GR.
9030TR18	R1/4"	R1/8"	49,7	68,3	70
9030TR14	R1/4"	R1/4"	52,0	68,3	70



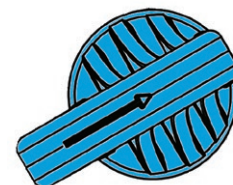
The arrow on the handle indicates the direction of the flow.

9031

Three ways valve male for tube 8/5.5

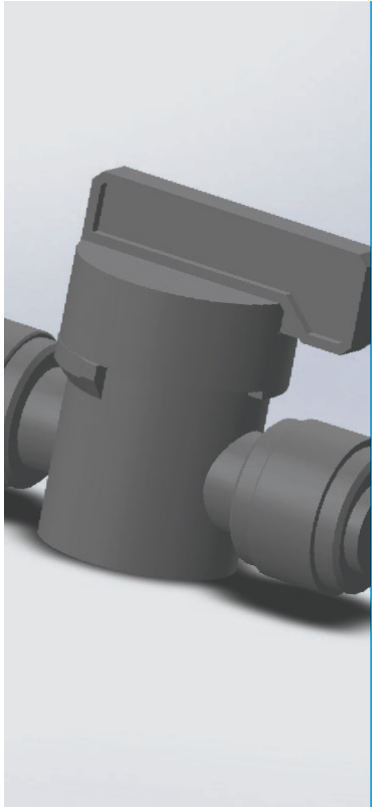


CODE	T1	T2	L	L1	GR.
9031TR8	R1/4"	8X5,5	51,7	58,8	70



The arrow on the handle indicates the direction of the flow.





20 Bar
Negative pressure: -750mmHg
 Depending from the tubes & temperatures applied.



Water, food, air, selected gases, vacuum and liquids suitable with construction materials.



Polyamide, polyurethane, polyethylene, Teflon tube PTFE, calibrated tube FEP. The hand valves must only be used in fully open or fully closed position.



Dry air: -20°C ÷ 98°C
Air & fluids: 1°C ÷ 98°C

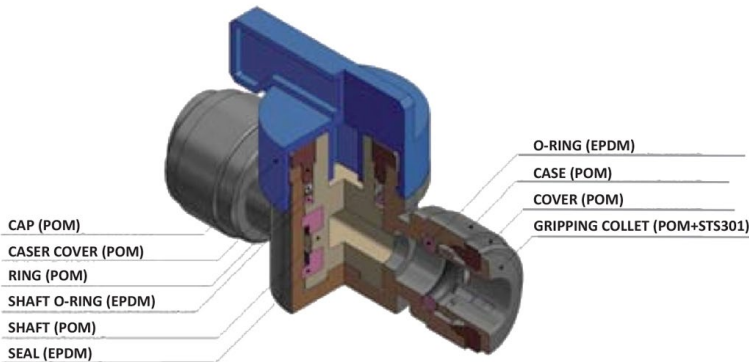
Please be advised that NSF standards cover only the temperature range from 1°C to 70°C. System performances always depend from fittings, tubes and possible other items and accessories used. It is responsibility of the users to cross check the technical features of each single component in order to avoid possible failures and damages.



Products in compliance with the directive 2002/95/EC

RoHS2

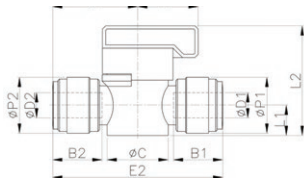
Products in compliance with the directive 2011/65/EU



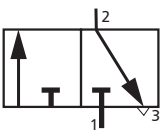
Body: POM
O'Ring: EPDM
Cover: POM
Gripping collet: POM+STS301
Cap: POM
Seal: EPDM
Shaft: POM
Shaft O'ring: EPDM

HBVU

2 ways metric hand valves



CODE	ØD1	ØD2	B1	B2	ØP1	ØP2	L1	L2	E	ØC	GR.
HBVU0606B	6	6	16,1	16,1	15,5	15,5	9,5	34,5	51,7	19,2	16
HBVU0808B	8	8	17,5	17,5	17,6	17,6	9,5	34,5	53,5	19,2	17,4
HBVU1010B	10	10	20,1	20,1	20,0	20,0	12,5	42,3	63,0	24,2	29
HBVU1212B	12	12	23,7	23,7	23,0	23,0	12,5	42,3	70,4	24,2	35,4





20 Bar
Negative pressure: -750mmHg
 Depending from the tubes & temperatures applied.



Water, food, air, selected gases, vacuum and liquids suitable with construction materials.



Polyamide, polyurethane, polyethylene, Teflon tube PTFE, calibrated tube FEP. Specially designed for mounting with flexible tubes and allow to stop the flow in case of need.



Dry air: -20°C ÷ 98°C
Air & fluids: 1°C ÷ 98°C

Please be advised that NSF standards cover only the temperature range from 1°C to 70°C. System performances always depend from fittings, tubes and possible other items and accessories used. It is responsibility of the users to cross check the technical features of each single component in order to avoid possible failures and damages.



Products in compliance with the directive 2002/95/EC



Products in compliance with the directive 2011/65/EU

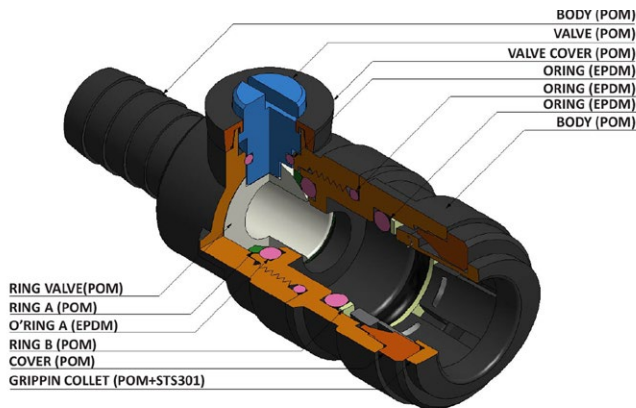


NSF51-NSF61

DM174

EC1935

TIFO

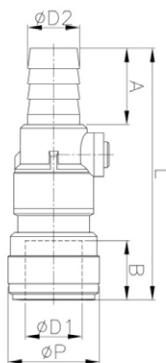


- Body: POM
- Valve: POM
- Valve cover: POM
- O'ring: EPDM
- Cover: POM
- Gripping collet: POM+STS301

These valves are specially designed for mounting with flexible tubes and allow to stop the flow in case of need.

HCVB

Valved barb connector



CODE	$\varnothing D1$	$\varnothing D2$	$\varnothing P$	L	A	B	GR.
HCVB15-1/2B	15	1/2	28,5	74,2	22,3	29,4	29,3
HCVB22-1/2B	22	1/2	35,7	87,3	22,3	33,8	38,9
HCVB22-3/4B	22	3/4	35,7	99,0	30,0	33,8	47,7



FUNCTION FITTINGS

STOP FITTINGS

PLUS

PERFECT FOR PERIODICAL
PLANT MAINTENANCE

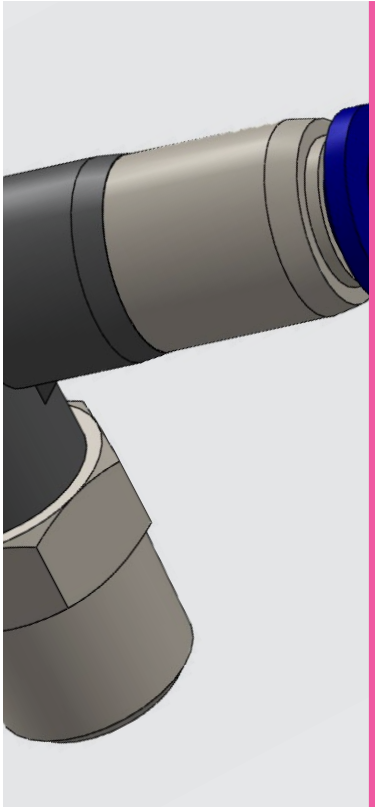
THEY IMPROVE THE SAFETY
OF THE SYSTEM

COMPACT DIMENSIONS

THEY ISOLATE THE CIRCUIT
WHEN THE TUBE IS DISCONNECTED



p. 148 / **SPC-R**p. 148 / **SPC-G**p. 148 / **SPL-R**p. 149 / **SPL-G**p. 149 / **SPU**



0°C ÷ 60°C
Negative pressure: -750mmHg



From 0 to 10 Bar



Compressed air



Taper gas BSPT ISO 7 from R1/8" to R1/2" Teflon coated.
 Parallel gas BSPP ISO 228 with OR from G1/8" to G1/2"
 Metric ISO 262 M5, M6



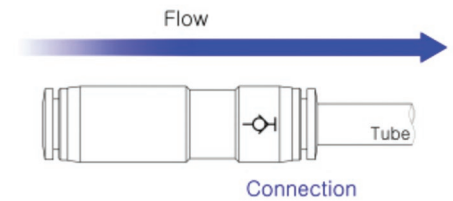
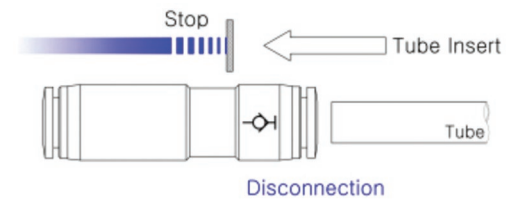
Polyamide, polyurethane



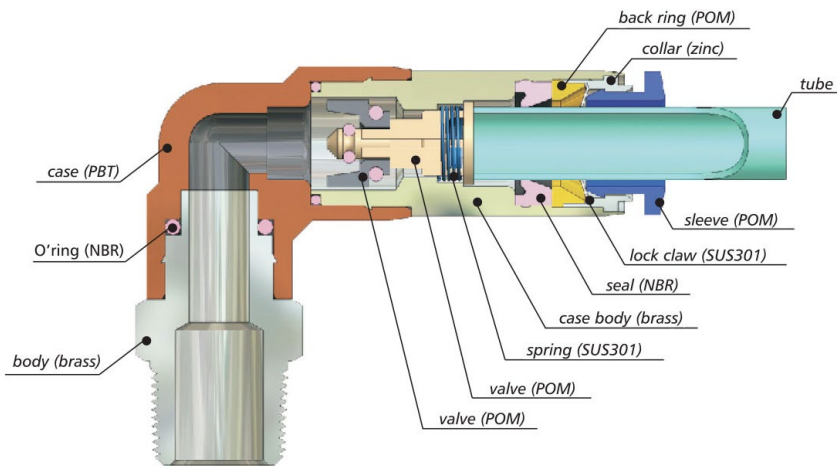
Products in compliance with the directive 2002/95/EC

RoHS2

Products in compliance with the directive 2011/65/EU

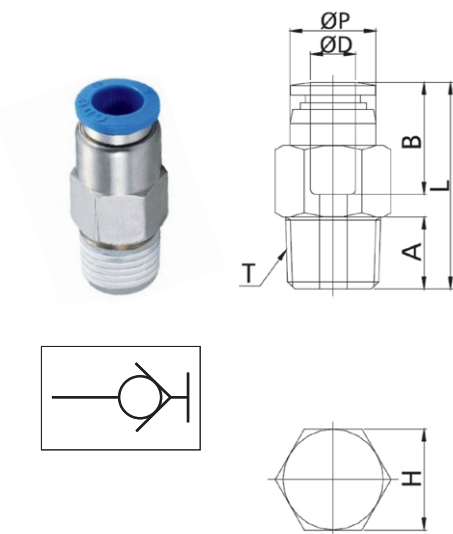


- Flow of air is completely stopped upon disconnecting the tube and reinstated upon reconnecting the tube.
- Dual-passage mechanism allows the pressure source to be originated from either side of the pneumatic connection.
- Ideal for pneumatic applications where tubing connections are frequently re-arranged.



SPC-R

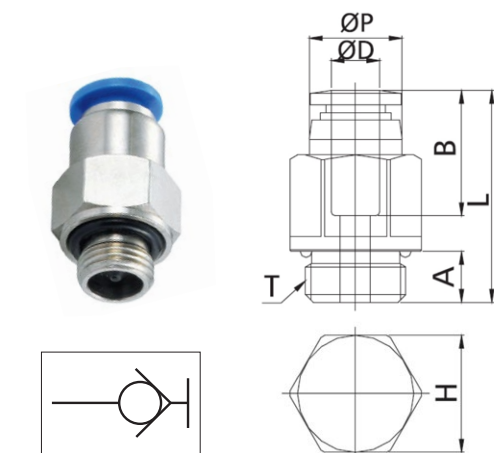
Male connector stop fitting BSPT thread



CODE	ØD	T	ØP	L	A	B	H	GR.
SPC04R01	4	R1/8"	10,0	26,1	8,0	14,7	10	10
SPC06R01	6	R1/8"	12,0	28,8	8,0	16,4	12	13
SPC06R02	6	R1/4"	12,0	28,8	10,0	16,4	14	20
SPC08R02	8	R1/4"	14,0	33,3	10,0	18,4	14	20
SPC08R03	8	R3/8"	14,0	33,3	11,0	18,4	17	36
SPC10R02	10	R1/4"	17,0	36,4	10,0	19,6	17	48
SPC10R03	10	R3/8"	17,0	37,6	11,0	19,6	17	36
SPC10R04	10	R1/2"	17,0	38,4	14,0	19,6	21	60
SPC12R02	12	R1/4"	19,0	44,8	10,0	21,9	19	48
SPC12R03	12	R3/8"	19,0	44,7	11,0	21,9	19	49
SPC12R04	12	R1/2"	19,0	44,7	14,0	21,9	21	64

SPC-G

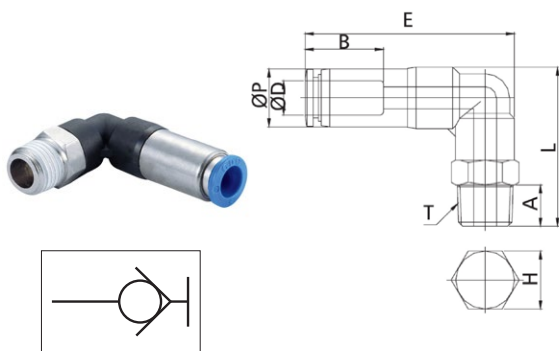
Male connector stop fitting BSPP thread



CODE	ØD	T	ØP	L	A	B	H	GR.
SPC04G01	4	G1/8"	10,3	25,5	5,0	14,7	12	10
SPC06G01	6	G1/8"	12,0	27,8	5,0	16,4	12	13
SPC06G02	6	G1/4"	12,0	27,3	6,5	16,4	15	20
SPC08G02	8	G1/4"	14,0	31,9	6,5	18,4	15	20
SPC08G03	8	G3/8"	14,0	31,9	6,5	18,4	17	36
SPC10G02	10	G1/4"	17,0	34,9	6,5	19,6	17	48
SPC10G03	10	G3/8"	17,0	36,4	6,5	19,6	17	36
SPC10G04	10	G1/2"	17,0	37,4	8,0	19,6	21	60
SPC12G02	12	G1/4"	19,0	43,3	6,5	21,9	19	48
SPC12G03	12	G3/8"	19,0	43,3	6,5	21,9	21	49
SPC12G04	12	G1/2"	19,0	43,8	8,0	21,9	21	64

SPL-R

Male elbow stop fitting BSPT thread

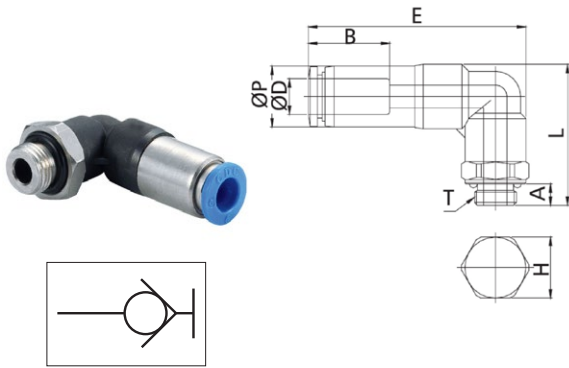


CODE	ØD	T	ØP	L	E	A	B	H	GR.
SPL04R01	4	R1/8"	10,0	26,9	34,5	8,0	14,7	10	15
SPL06R01	6	R1/8"	12,0	32,8	38,9	8,0	16,4	12	22
SPL06R02	6	R1/4"	12,0	35,8	38,9	10,0	16,4	14	27
SPL08R01	8	R1/8"	14,0	35,4	49,9	8,0	18,4	14	37
SPL08R02	8	R1/4"	14,0	38,4	49,9	10,0	18,4	14	38
SPL08R03	8	R3/8"	14,0	32,0	42,9	11,0	18,4	17	44
SPL10R02	10	R1/4"	17,0	40,3	57,5	10,0	19,6	17	57
SPL10R03	10	R3/8"	17,0	41,3	57,5	11,0	19,6	17	64
SPL10R04	10	R1/2"	17,0	44,3	57,5	14,0	19,6	21	80
SPL12R03	12	R3/8"	19,0	45,7	67,1	11,0	21,9	19	78
SPL12R04	12	R1/2"	19,0	48,7	67,1	14,0	21,9	21	91



SPL-G

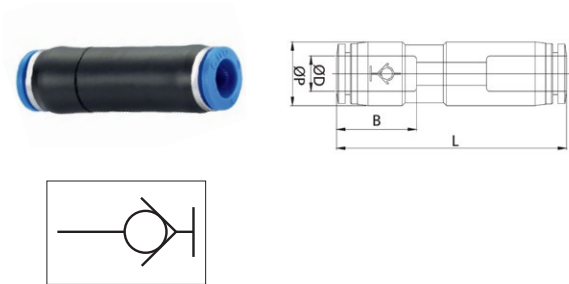
Male elbow stop fitting BSPP & metric thread



CODE	T	ØP	L	E	A	B	H	GR.
SPL04M5	4	M5X0,8P	10,0	25,8	34,5	4,6	14,7	10
SPL04M6	4	M6X1,0P	10,0	26,9	34,5	4,1	14,7	10
SPL04G01	4	G1/8"	10,0	26,8	34,5	5,0	14,7	14
SPL06M5	6	M5X0,8P	12,0	28,8	38,9	4,6	16,4	12
SPL06G01	6	G1/8"	12,0	29,8	38,9	5,0	16,4	14
SPL06G02	6	G1/4"	12,0	31,8	38,9	6,5	16,4	17
SPL08G02	8	G1/4"	14,0	34,4	49,9	6,5	18,6	17
SPL08G03	8	G3/8"	14,0	33,9	49,9	6,5	18,6	20
SPL10G02	10	G1/4"	17,0	36,3	55,0	6,5	19,6	17
SPL10G03	10	G3/8"	17,0	35,8	55,0	6,5	19,6	20
SPL10G04	10	G1/2"	17,0	37,3	55,0	8,0	19,6	24
SPL12G03	12	G3/8"	18,8	40,2	63,7	6,5	21,9	20
SPL12G04	12	G1/2"	18,0	41,7	63,7	8,0	21,9	24

SPU

Union connector stop fitting



CODE	ØD	ØP	L	B	GR.
SPU04	4	10,5	42,1	14,9	5
SPU06	6	12,5	46,0	16,4	8
SPU08	8	14,8	53,7	18,7	11
SPU10	10	17,5	58,2	20,1	19
SPU12	12	20,5	67,1	22,8	30





ST 43

FUNCTION FITTINGS CHECK VALVES

PLUS

**DIFFERENT MATERIALS AVAILABLE
TO BE USED IN MANY FIELDS**

**DIFFERENT NON RETURNING SYSTEMS
IN ORDER TO ENSURE THE BEST
AVAILABLE SOLUTION**

SIGN OF THE FLOW DIRECTION

MAXIMUM PASSAGE GUARANTEED

**ALSO AVAILABLE FOR FOOD FLUIDS
AND DRINKING WATER CONTACT**



CHECK VALVES
FOR HIGH
PERFORMANCE



p. 153 / **HCVU**

CDC PNEUMATICS
CHECK VALVES



p. 155 / **CVPC-R**



p. 155 / **CVPC-R-IN**



p. 155 / **CVPC-G**



p. 156 / **CVPC-G IN**



p. 156 / **CVPU**



p. 156 / **CVPF-R**



p. 157 / **CVPF-R-IN**



p. 157 / **CVPF-G**



p. 157 / **CVPF-G-IN**



p. 157 / **CVFF**

NICKEL PLATED BRASS
CHECK VALVES PN 10



p. 158 / **1700L**



p. 158 / **1701L**



p. 158 / **1701L-IN**

CHECK VALVES
IN YELLOW BRASS
PN16



p. 159 / **1705L**

CHECK VALVES
IN YELLOW BRASS
PN20



p. 160 / **1705**

CHECK VALVES
IN INOX AISI 303
PN 20



p. 161 / **1710**

CHECK VALVES
IN INOX AISI 316L
PN 20



p. 162 / **1730**





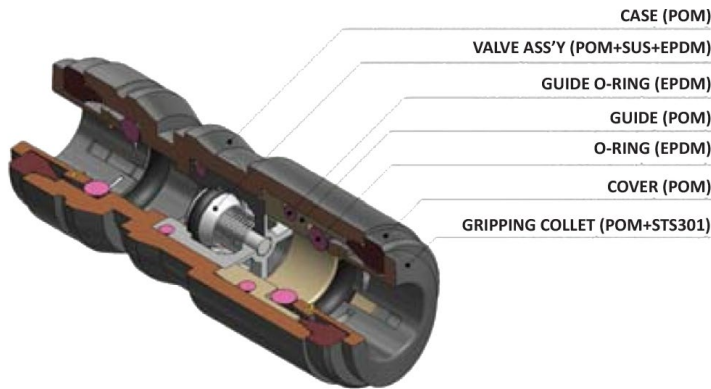
20 Bar -750mmHg
Depending from the tubes & temperatures applied.
Opening pressure: 0,02 Bar



Water, food, air, selected gases, vacuum and liquids suitable with construction materials.



Polyamide, polyurethane, polyethylene, Teflon tube PTFE, calibrated tube FEP.



CASE (POM)

VALVE ASS'Y (POM+SUS+EPDM)

GUIDE O-RING (EPDM)

GUIDE (POM)

O-RING (EPDM)

COVER (POM)

GRIPPING COLLET (POM+STS301)



Dry air: -20°C ÷ 98°C
Air & fluids: 1°C ÷ 98°C

Please be advised that NSF standards cover only the temperature range from 1°C to 70°C. System performances always depend from fittings, tubes and possible other items and accessories used. It is responsibility of the users to cross check the technical features of each single component in order to avoid possible failures and damages.



Products in compliance with the directive 2002/95/EC



Products in compliance with the directive 2011/65/EU



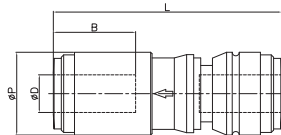
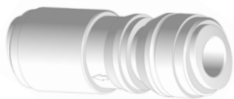
NSF51-NSF61



Body: POM
O'Ring: EPDM
Guide: POM
Valve: POM+AISI+EPDM
Case: POM
Gripping collet: POM+STS301

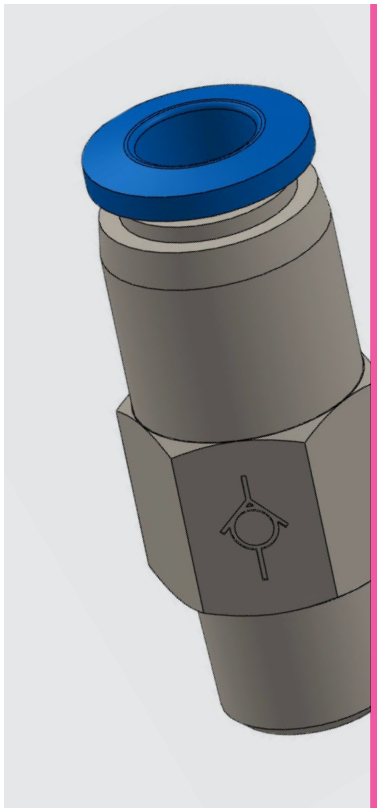
HCVU

Metric check valves



CODE	ØD	ØP	L	B	GR.
HCVU0404W	4	13,2	44,4	14,7	6,1
HCVU0606W	6	15,5	45,5	16,1	7,4
HCVU0808W	8	17,6	48,6	17,5	10,0
HCVU1010W	10	20,0	57,6	19,4	14,5
HCVU1212W	12	23,6	67,5	23,9	22,1





0°C ÷ 60°C
Negative pressure: -750mmHg



From 0 to 10 Bar
Minimum opening pressure: 0,1 Bar



Compressed air



Taper gas BSPT ISO 7 from R1/8" to R1/2"
 Parallel gas BSPP ISO 228 with OR from G1/8" to G1/2"
 Metric ISO 262 M5, M6



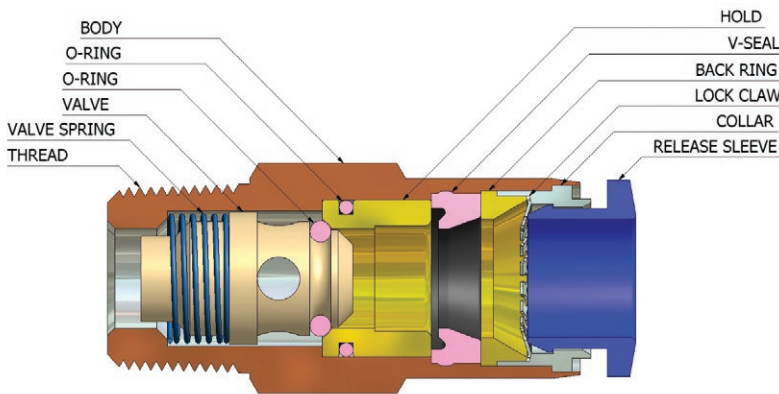
Polyamide, polyurethane



Products in compliance with the directive 2002/95/EC

RoHS2

Products in compliance with the directive 2011/65/EU



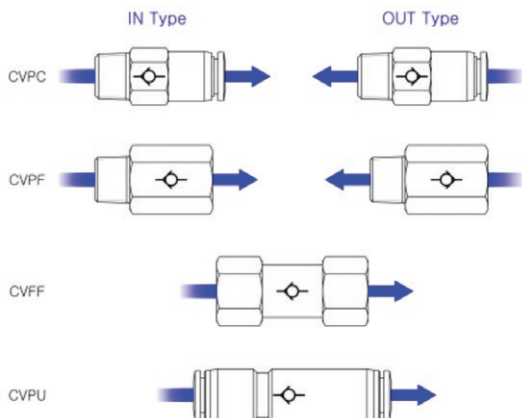
Body: CVPF - brass nickel plated
 CVPC - aluminum
 CVPU - PBT from Ø4 to Ø8
 Aluminum for Ø10 and Ø12



Lock claw: steel AISI 301
O'ring: NBR silicon free

CVFF

Body: brass, aluminum
O'ring: NBR silicon free

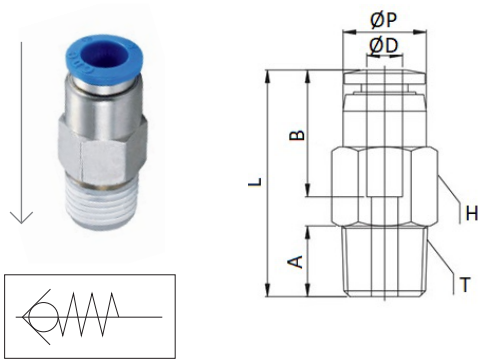


Stop fittings make easier all the ordinary repairs. They block the air flow when the tube is released. When the tube is connected the air flows again in two ways.



CVPC-R

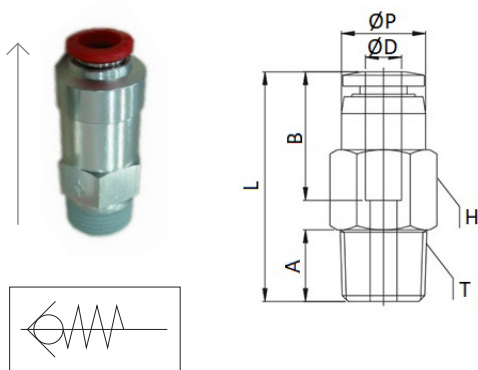
Male connector check valve BSPT thread - OUT



CODE	ØD	ØP	T	L	A	B	H	GR.
CVPC04R01	4	10,0	R1/8"	27,3	8,0	14,8	10	11,0
CVPC06R01	6	11,9	R1/8"	32,5	8,0	16,4	12	16,0
CVPC06R02	6	11,9	R1/4"	32,5	10,0	16,4	14	24,0
CVPC08R01	8	14,0	R1/8"	34,9	8,0	18,4	14	21,0
CVPC08R02	8	14,0	R1/4"	37,2	10,0	18,4	14	24,0
CVPC10R03	10	23,0	R3/8"	56,3	11,0	20,2	22	35,0
CVPC10R04	10	23,0	R1/2"	58,3	14,0	20,2	22	41,0
CVPC12R03	12	25,0	R3/8"	62,2	11,0	22,9	24	40,0
CVPC12R04	12	25,0	R1/2"	65,2	14,0	22,9	24	40,0

CVPC-R-IN

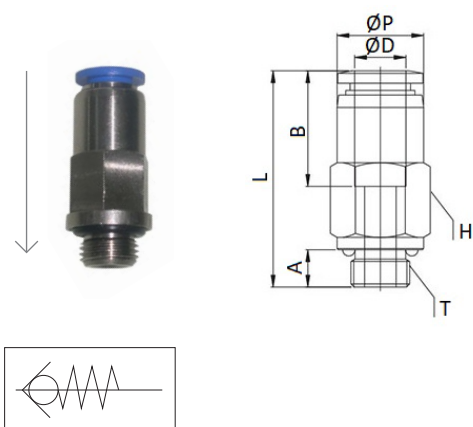
Male connector check valve BSPT thread - IN



CODE	ØD	T	ØP	L	A	B	H	GR.
CVPC04R01-IN	4	R1/8"	10,0	27,3	8,0	15,3	10	9,8
CVPC06R01-IN	6	R1/8"	11,9	32,6	8,0	16,3	12	12,8
CVPC06R02-IN	6	R1/4"	11,9	32,6	10,0	16,3	14	19,8
CVPC08R01-IN	8	R1/8"	14,0	34,9	8,0	18,3	14	18,7
CVPC08R02-IN	8	R1/4"	14,0	37,2	10,0	18,3	14	20,7
CVPC10R03-IN	10	R3/8"	23,0	56,3	11,0	20,3	22	45,5
CVPC10R04-IN	10	R1/2"	23,0	58,3	14,0	20,3	22	63,5
CVPC12R03-IN	12	R3/8"	25,0	62,3	12,0	23,3	24	48,3
CVPC12R04-IN	12	R1/2"	25,0	65,3	14,0	23,3	24	68,3

CVPC-G

Male connector check valve BSPP & metric thread - OUT

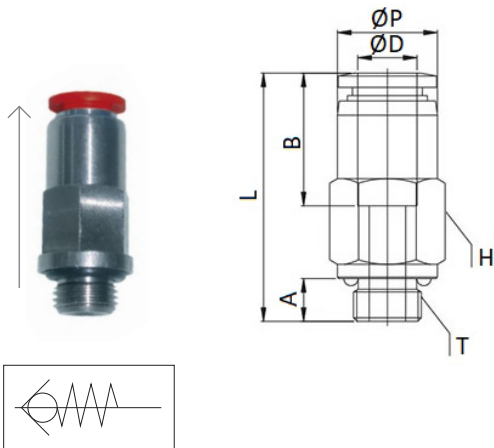


CODE	ØD	T	ØP	L	A	B	H	GR.
CVPC04M5	4	M5X0,8P	10,0	31,4	3,6	15,3	10	11,8
CVPC04M6	4	M6X1,0P	10,0	30,4	4,6	15,3	10	11,8
CVPC04G01	4	G1/8"	10,0	26,3	5,0	15,3	10	11,8
CVPC06G01	6	G1/8"	11,9	31,6	5,0	17,0	12	15,8
CVPC06G02	6	G1/4"	11,9	32,1	6,5	17,0	15	25,8
CVPC08G01	8	G1/8"	14,0	33,8	5,0	18,6	14	16,7
CVPC08G02	8	G1/4"	14,0	36,7	6,5	18,6	15	25,7
CVPC10G03	10	G3/8"	23,0	52,5	6,5	20,3	22	33,5
CVPC10G04	10	G1/2"	23,0	54,3	8,0	20,3	24	39,5
CVPC12G03	12	G3/8"	25,0	57,5	6,5	23,3	24	41,3
CVPC12G04	12	G1/2"	25,0	59,3	8,0	23,3	24	44,3



CVPC-G-IN

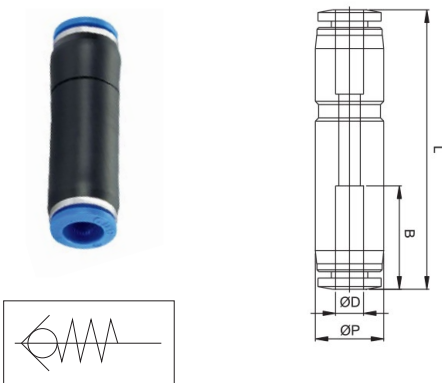
Male connector check valve BSPP & metric thread - IN



CODE	ØD	T	ØP	L	A	B	H	GR.
CVPC04M5-IN	4	M5X0,8P	10,0	31,4	3,6	15,3	10	11,8
CVPC04M6-IN	4	M6X1,0P	10,0	30,4	4,6	15,3	10	11,8
CVPC04G01-IN	4	G1/8"	10,0	26,3	5,0	15,3	10	11,8
CVPC06G01-IN	6	G1/8"	11,9	31,6	5,0	17,0	12	15,8
CVPC06G02-IN	6	G1/4"	11,9	32,1	6,5	17,0	15	25,8
CVPC08G01-IN	8	G1/8"	14,0	33,8	5,0	18,6	14	16,7
CVPC08G02-IN	8	G1/4"	14,0	36,7	6,5	18,6	15	25,7
CVPC10G03-IN	10	G3/8"	23,0	52,5	6,5	20,3	22	33,5
CVPC10G04-IN	10	G1/2"	23,0	54,3	8,0	20,3	24	39,5
CVPC12G03-IN	12	G3/8"	25,0	57,5	6,5	23,3	24	41,3
CVPC12G04-IN	12	G1/2"	25,0	59,3	8,0	23,3	24	44,3

CVPU

Union connector check valve



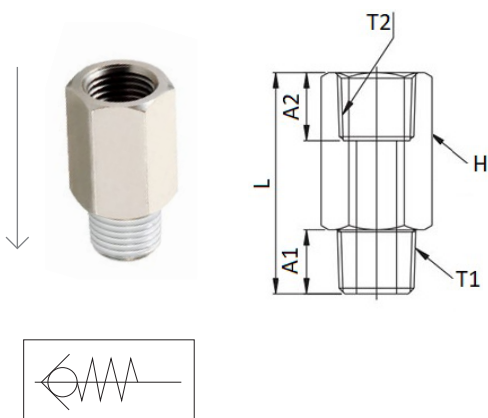
CODE	ØD	ØP	L	B	GR.
CVPU04	4	10,5	42,3	15,7	5,6
CVPU06	6	12,5	47,5	17,0	8,4
CVPU08	8	14,8	56,4	19,1	13,4

Union connector check valve

CODE	ØD	ØP	L	B	GR.
CVPU10	10	23,0	65,2	20,3	16,4
CVPU12	12	25,0	73,0	23,3	31,2

CVPF-R

Female connector check valve BSPT thread - OUT

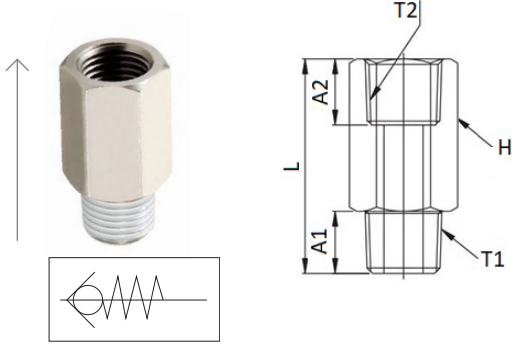


CODE	T1	T2	L	A1	A2	H	GR.
CVPF01R01	R1/8"	R1/8"	28,1	8	8	12	16
CVPF02R02	R1/4"	R1/4"	34,1	11	11	17	39
CVPF03R03	R3/8"	R3/8"	53,8	12	12	22	107
CVPF04R04	R1/2"	R1/2"	61,0	14	14	24	130



CVPF-R-IN

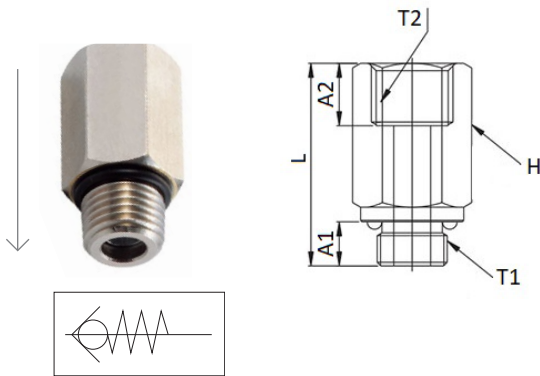
Female connector check valve BSPT thread - IN



CODE	T1	T2	L	A1	A2	H	GR.
CVPF01R01-IN	R1/8"	R1/8"	28,1	8	8	12	16
CVPF02R02-IN	R1/4"	R1/4"	34,1	11	11	17	39
CVPF03R03-IN	R3/8"	R3/8"	53,8	12	12	22	107
CVPF04R04-IN	R1/2"	R1/2"	61,0	14	14	24	130

CVPF-G

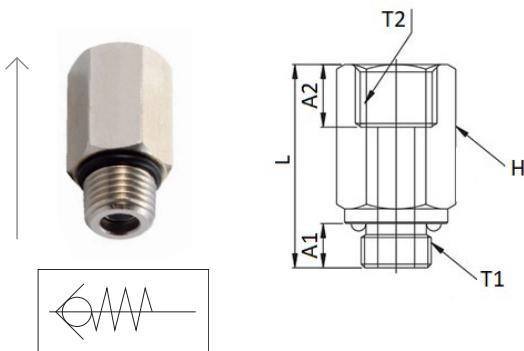
Female connector check valve BSPP thread - OUT



CODE	T1	T2	L	A1	A2	H	GR.
CVPF01G01	G1/8"	G1/8"	26,6	5,0	8	14	24
CVPF02G02	G1/4"	G1/4"	33,1	6,5	11	17	40
CVPF03G03	G3/8"	G3/8"	49,0	6,5	11	22	102
CVPF04G04	G1/2"	G1/2"	55,7	8,0	14	24	121

CVPF-G-IN

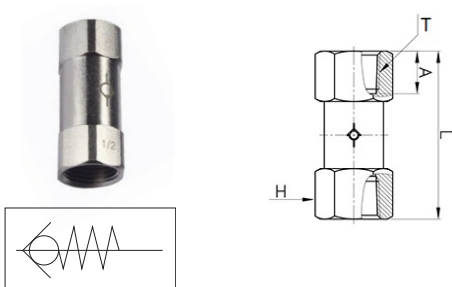
Female connector check valve BSPP thread - IN



CODE	T1	T2	L	A1	A2	H	GR.
CVPF01G01-IN	G1/8"	G1/8"	26,6	5,0	8	14	24
CVPF02G02-IN	G1/4"	G1/4"	33,1	6,5	11	17	40
CVPF03G03-IN	G3/8"	G3/8"	49,0	6,5	11	22	102
CVPF04G04-IN	G1/2"	G1/2"	55,7	8,0	14	24	121

CVFF

Check valve metal back



CODE	T	L	A	H	GR.
CVFF-R01	R1/8"	35,6	9,0	12	20,0
CVFF-R02	R1/4"	43,3	11,0	17	49,2
CVFF-R03	R3/8"	53,2	12,0	22	93,9
CVFF-R04	R1/2"	60,5	14,0	24	113,7





NBR: -5°C ÷ 70°C
EPDM: -40°C ÷ 140°C



From 0,5 to 10 Bar
Minimum open pressure:
0.025 Bar
Maximum open pressure:
0.07 Bar



Compressed air and fluids compatible with construction materials.



Parallel BSPP UNI ISO 228/1 from G1/8" to G1/2"
Metric ISO 262 M5



One way fluids flow. Indication of the fluid direction engraved on the body.



Body: brass nickel plated
Shutter with ball: AISI 304
Spring: AISI 302
O'ring: NBR 70

ADVANTAGES

Realized with sphere stopper which guarantees the advantage to eliminate the friction of the components and, at the same time, to increase the lifetime.



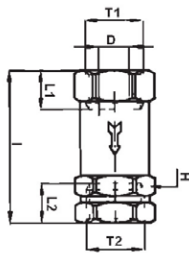
Products in compliance with the directive 2002/95/EC

RoHS2

Products in compliance with the directive 2011/65/EU

1700L

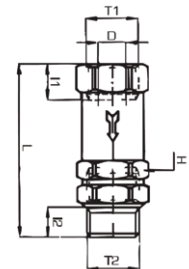
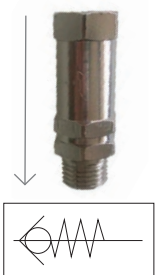
F/F check valve with ball BSPP & metric thread nickel brass PN 10



CODE	T1	T2	D	L1	L2	I	H	GR.
1700TRM5L	M5	M5	2,8	6,0	6,0	24	10	13
1700TR18L	G1/8"	G1/8"	5,0	8,0	8,0	31	13	28
1700TR14L	G1/4"	G1/4"	7,0	9,5	9,5	37	16	35
1700TR38L	G3/8"	G3/8"	8,5	10,5	10,5	42	20	59
1700TR12L	G1/2"	G1/2"	10,0	12,0	12,0	50	25	78

1701L

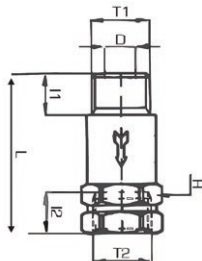
F/M check valve with ball BSPP thread brass nickel plated PN 10 - OUT



CODE	T1	T2	D	I1	I2	L	H	GR.
1701TR18L	G1/8"	G1/8"	5,0	8,0	8,0	39	13	31
1701TR14L	G1/4"	G1/4"	7,0	9,5	9,5	46	16	38

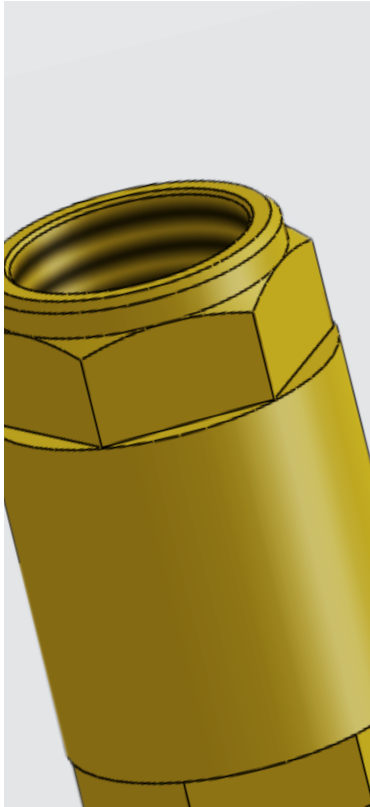
1701L-IN

M/F check valve with ball BSPP thread brass nickel plated PN 10 - IN



CODE	T1	T2	D	I1	I2	L	H	GR.
1701TR18L-IN	G1/8"	G1/8"	5,0	7,0	8,0	30	13	30
1701TR14L-IN	G1/4"	G1/4"	7,0	8,0	9,5	35	16	36





0°C ÷ 90°C



From G3/8" to G1": 16 Bar
 From G1-1/4" to G2": 10 Bar
 From G2-1/2" to G4": 8 Bar



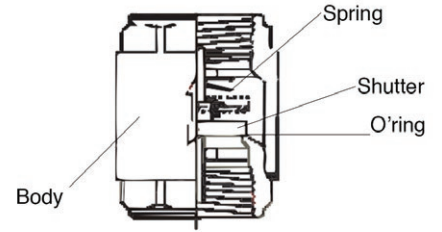
Air, neutral gases and water



Parallel BSPP UNI ISO 228/1
 from G3/8" to G4"



One way fluids flow.
 Indication of the fluid direction
 engraved on the body.



Available on demand stainless steel shutter



Body: yellow brass

Shutter: acetal copolymer

Spring: AISI 302

O'ring: NBR

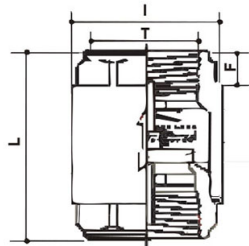


Products in compliance with
 the directive 2002/95/EC

RoHS2

Products in compliance with
 the directive 2011/65/EU

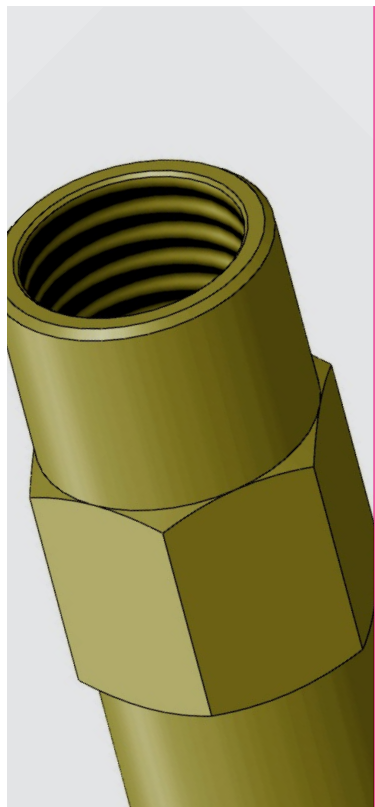
1705L



Check valve BSPP thread in yellow brass

CODE	T	F	I	L	GR.
1705TR38L	G3/8"	12	29	46	35
1705TR12L	G1/2"	12	30	48	110
1705TR34L	G3/4"	14	37	53	150
1705TR1L	G1"	15	44	59	240
1705TR114L	G1"-1/4"	14	56	66	360
1705TR112L	G1"-1/2"	15	63	71	480
1705TR2L	G2"	14	78	80	700
1705TR212L	G1"-1/2"	16	103	93	380
1705TR3L	G3"	18	120	104	850
1705TR4L	G4"	20	155	119	1050





NBR: from -20°C to 100°C
VITON: from -20°C to 205°C
EPDM: from -40°C to 130°C



20 Bar



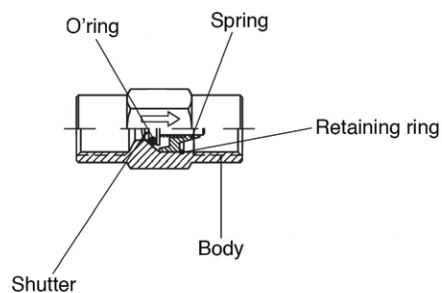
Compressed air, water, gases, not aggressive mineral or synthetic oils in uncorrosive environments and fluids compatible with construction materials



Parallel BSPP UNI ISO 228/1 from G1/8" to G1"



One way fluids flow.
 Indication of the fluid direction engraved on the body.



Body: yellow brass OT 58
Shutter: yellow brass OT 58
Spring: AISI 302
O'ring: NBR
Retaining ring: AISI 302

ADVANTAGES

- Available with VITON or EPDM o' rings.
- On demand available different springs for different opening pressures.
- Available to be supplied degreased.
- Available on demand also for NPT thread.



Products in compliance with the directive 2002/95/EC

MINIMUM OPEN PRESSURE

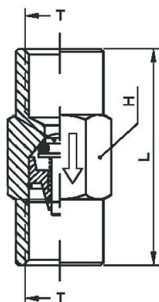
1/8	1/4	3/8	1/2	3/4	1
0.35	0.30	0.25	0.08	0.10	0.80

RoHS2

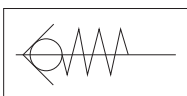
Products in compliance with the directive 2011/65/EU

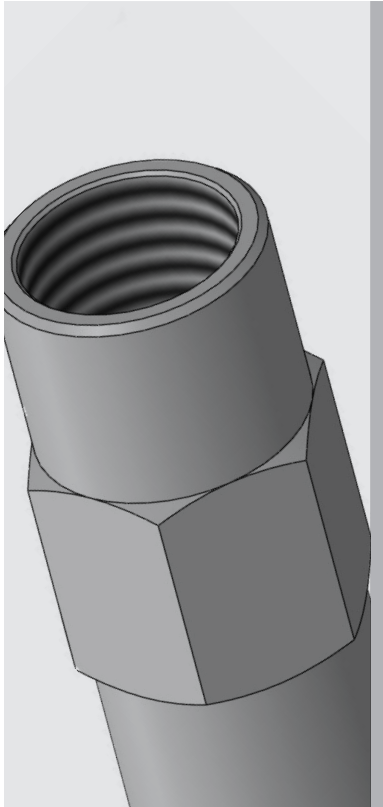
Check valve BSPP thread in yellow brass

1705



CODE	T	L	H	GR.
1705TR18	G1/8"	40,0	17	52,0
1705TR14	G1/4"	41,0	17	45,0
1705TR38	G3/8"	47,0	22	90,0
1705TR12	G1/2"	56,0	27	153,0
1705TR34	G3/4"	66,5	34	285,0
1705TR1	G1"	79,0	40	388,0





VITON: from -20°C to 205°C
EPDM: from -40°C to 130°C



20 Bar



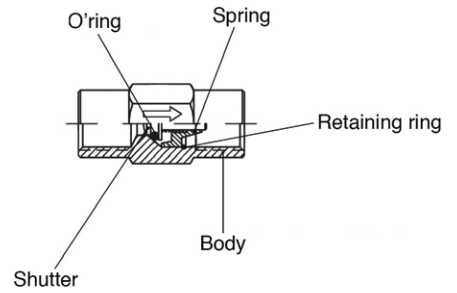
Compressed air, water, gases and weak acids in corrosive environments and fluids compatible with construction materials.



Parallel BSPP UNI ISO 228/1 from G1/8" to G1"



One way fluids flow.
 Indication of the fluid direction engraved on the body.



- Body:** stainless steel AISI 303
- Shutter:** stainless steel AISI 303
- Spring:** stainless steel AISI 302
- O'ring:** VITON
- Retaining ring:** stainless steel AISI 302

ADVANTAGES

- Available with VITON or EPDM o'rings.
- On demand available different springs for different opening pressures.
- Available to be supplied degreased.
- Available on demand also for NPT thread



Products in compliance with the directive 2002/95/EC

RoHS2

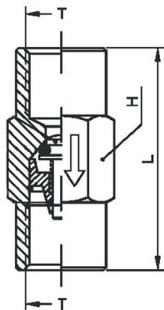
Products in compliance with the directive 2011/65/EU

MINIMUM OPEN PRESSURE

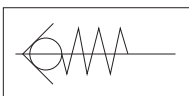
1/8	1/4	3/8	1/2	3/4	1
0.35	0.30	0.25	0.08	0.10	0.80

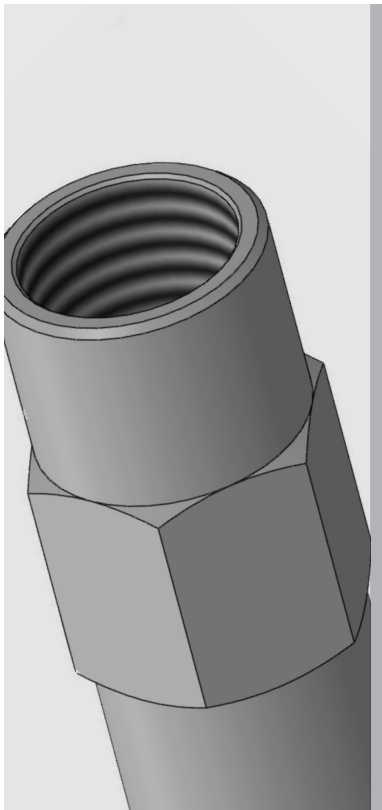
1710

Check valve BSPP thread Inox AISI 303



CODE	T	L	H	GR.
1710TR18	G1/8"	40,0	17	48,0
1710TR14	G1/4"	41,0	17	43,0
1710TR38	G3/8"	47,0	22	82,0
1710TR12	G1/2"	56,0	27	143,0
1710TR34	G3/4"	66,5	36	325,0
1710TR1	G1"	79,0	41	388,0





VITON: from -20°C to 205°C
EPDM: from -40°C to 130°C



20 Bar



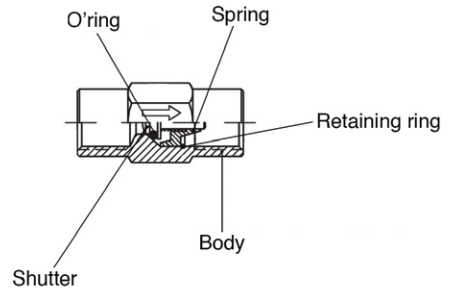
Pneumatic applications in corrosive environments in contact with water, gases and weak acids suitable for food industry, chemical industry, medical application, laboratories of analysis, desalinization plants and boats.



Parallel BSPP UNI ISO 228/1 from G1/8" to G1"



One way fluids flow.
 Indication of the fluid direction engraved on the body.



Body: stainless steel AISI 316L
Shutter: stainless steel AISI 316L
Spring: stainless steel AISI 302
O'ring: VITON
Retaining ring: stainless steel AISI 302

ADVANTAGES

- Available with EPDM o'rings.
- On demand available different springs for different opening pressures.
- Available to be supplied degreased.
- Available on demand also for NPT thread



Products in compliance with the directive 2002/95/EC

RoHS2

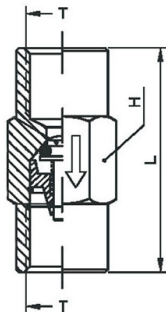
Products in compliance with the directive 2011/65/EU



MINIMUM OPEN PRESSURE

1/8	1/4	3/8	1/2	3/4	1
0.35	0.30	0.25	0.08	0.10	0.80

1730



Check valve BSPP thread Inox AISI 316L

CODE	T	L	H	GR.
1730TR18	G1/8"	40,0	17	48
1730TR14	G1/4"	41,0	17	43
1730TR38	G3/8"	47,0	22	84
1730TR12	G1/2"	56,0	27	143
1730TR34	G3/4"	66,5	36	330
1730TR1	G1"	79,0	41	388

