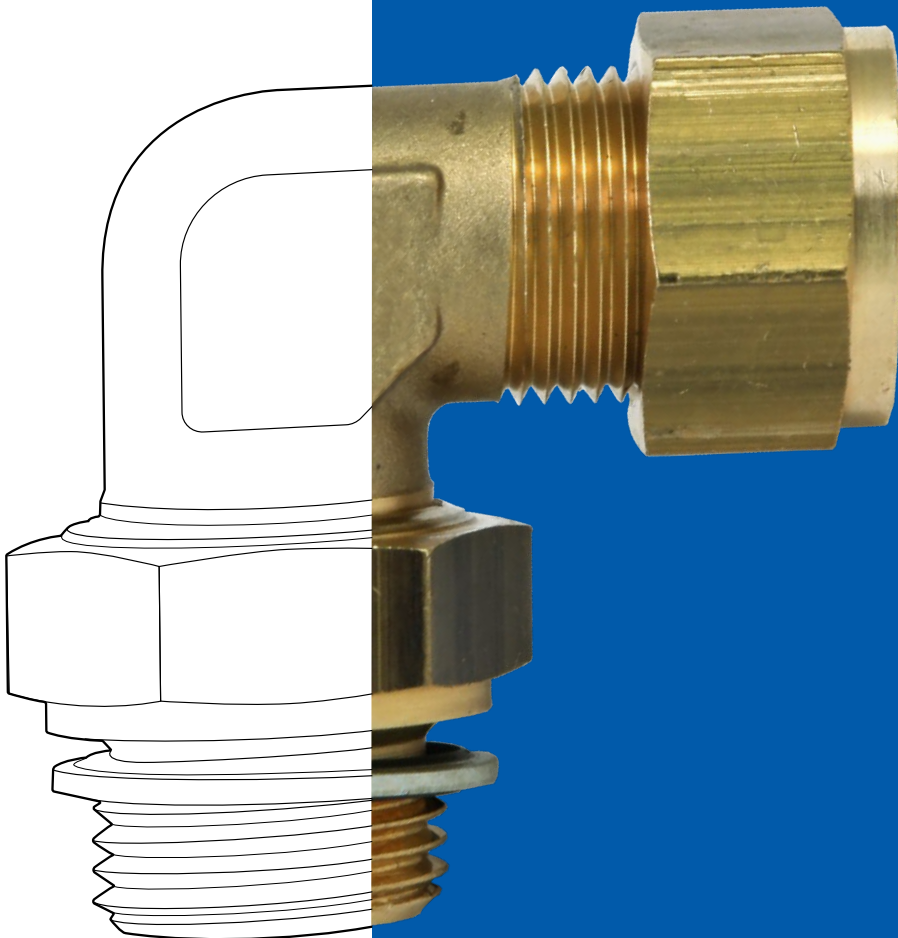


# COMPRESSION FITTINGS



# TECHNICAL INDEX



P. 207 /  
BRASS UNIVERSAL  
COMPRESSION FITTINGS

---



P. 215 /  
YELLOW BRASS  
COMPRESSION FITTINGS

---



P. 227 /  
BRASS  
COMPRESSION FITTINGS

---



P. 235 /  
COMPRESSION FITTINGS  
INOX AISI 316 DIN 2353

---



# **COMPRESSION FITTINGS**

## UNIVERSAL BRASS

**PLUS**

**GREAT GRIPPING SYSTEM THANKS TO  
THE FERRULE AND THE LOCKING NUT**

---

**RESISTANT TO VIBRATIONS AND TO  
WATER HAMMERS**

---

**USABLE WITH PLASTIC TUBES THANKS  
TO THE INTERNAL SUPPORT BUSH**

---

**THE PARTICULAR SHAPE OF THE OGIVE  
ALLOWS IS TO SELF-CENTER BETWEEN  
THE NUT AND THE FITTING SEAT**



N



p. 209 / **3100-G**



p. 210 / **3120-G**



p. 210 / **3130-G**



p. 210 / **3140-G**



p. 211 / **3150-G**



p. 211 / **3160-G**



p. 211 / **3170-G**



p. 212 / **3180-G**



p. 212 / **3190-G**



p. 212 / **3200-G**



p. 213 / **3210-G**



p. 213 / **3230-G**



p. 213 / **3240-G**

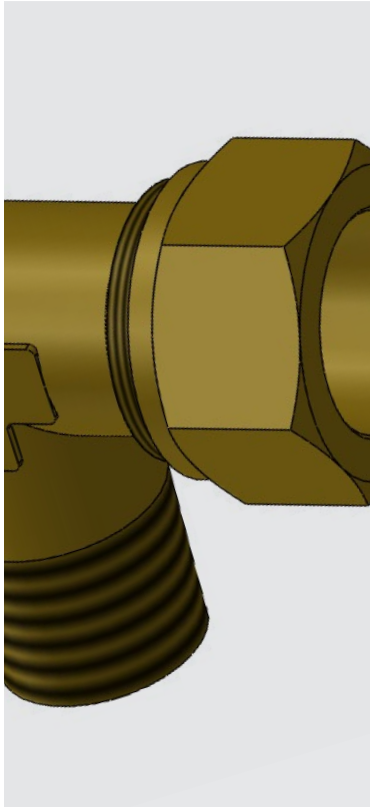


p. 214 / **3245-G**



p. 214 / **3250**





-20°C ÷ 80°C  
The temperature depend on the pipe's features used



Up to 60 Bar  
Maximum working pressure depend on the pipe's features used



Air, water, oil and fluids suitable with construction materials



Taper gas BSPT ISO 7 from R1/8" to R1/2"  
Parallel gas BSPP ISO 228 from G1/8" to G1/2"



**Metal tubes:** brass, copper, steel and aluminum  
**Plastic tubes:** polyurethane, polyethylene, Polyamide with internal reinforcement (art. 3250)



**Body:** Lathed yellow brass UNI EN 12164 CW 614N  
Printed yellow brass UNI EN12165 CW 617N

**Lock nut:** Yellow brass UNI EN 12164 CW 614N

**Ogive:** Yellow brass UNI EN 12164 CW 614N



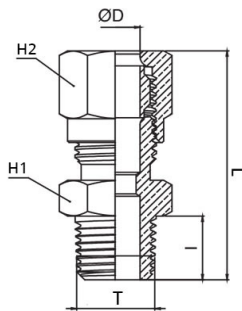
Products in compliance with the directive 2002/95/EC

**RoHS2**

Products in compliance with the directive 2011/65/EU

**3100-G**

Male connector BSPT thread

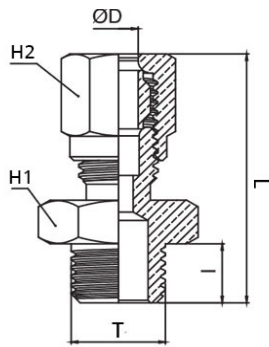


CODE	T	ØD	I	L	H1	H2	GR.
3100LL184-G	R1/8"	4	8	27	10	10	12
3100LL186-G	R1/8"	6	8	28	12	12	14
3100LL146-G	R1/4"	6	11	32,5	14	12	20
3100LL188-G	R1/8"	8	8	29,5	12	14	18
3100LL148-G	R1/4"	8	11	33	14	14	22
3100LL388-G	R3/8"	8	11,5	33	17	14	28
3100LL1410-G	R1/4"	10	11	37,5	17	19	44
3100LL3810-G	R3/8"	10	11,5	38	17	19	44
3100LL1210-G	R1/2"	10	14	40,5	22	19	59
3100LL3812-G	R3/8"	12	11,5	39	19	22	56
3100LL1212-G	R1/2"	12	14	41	22	22	67
3100LL1214-G	R1/2"	14	14	42,5	22	27	94
3100LL1215-G	R1/2"	15	14	42,5	22	27	88
3100LL1216-G	R1/2"	16	14	42	24	30	110
3100LL1218-G	R1/2"	18	14	43	26	32	124



3120-G

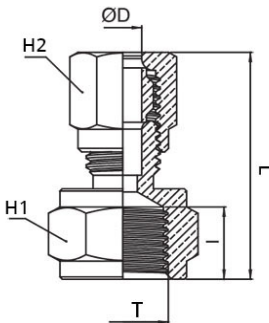
Male connector BSPP thread



CODE	T	ØD	I	L	H1	H2	GR.
3120LL184-G	G1/8"	4	6	25	14	10	16
3120LL186-G	G1/8"	6	6	26	14	12	16
3120LL146-G	G1/4"	6	8	29,5	17	12	22
3120LL188-G	G1/8"	8	6	27,5	14	14	18
3120LL148-G	G1/4"	8	8	30	17	14	24
3120LL388-G	G3/8"	8	9	30,5	19	14	34
3120LL1410-G	G3/8"	10	9	36	19	19	42
3120LL3810-G	G1/4"	10	8	34,5	17	19	44

3130-G

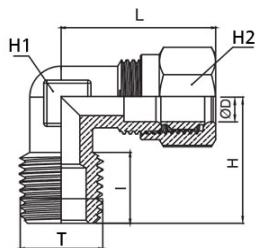
Female connector BSPP thread



CODE	T	ØD	I	L	H1	H2	GR.
3130LL184-G	G1/8"	4	8	24,5	14	10	14
3130LL186-G	G1/8"	6	8	26	14	12	17
3130LL146-G	G1/4"	6	11	30,5	17	12	24
3130LL188-G	G1/8"	8	8	26,5	14	14	20
3130LL148-G	G1/4"	8	11	31	17	14	26
3130LL388-G	G3/8"	8	11,5	31	20	14	30
3130LL1410-G	G1/4"	10	11	35,5	17	19	44
3130LL3810-G	G3/8"	10	11,5	36,5	20	19	48
3130LL3812-G	G3/8"	12	11,5	37	20	22	58
3130LL1212-G	G1/2"	12	15	38,5	24	22	70
3130LL1214-G	G1/2"	14	15	40	24	27	98
3130LL1215-G	G1/2"	15	15	40,5	24	27	90
3130LL1216-G	G1/2"	16	15	41,5	24	30	108
3130LL1218-G	G1/2"	18	15	43	26	32	134

3140-G

Male elbow BSPT thread

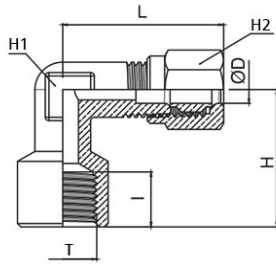


CODE	T	ØD	I	L	H	H1	H2	GR.
3140LL184-G	R1/8"	4	8	21	16	9	10	14
3140LL186-G	R1/8"	6	8	22	16	9	12	16
3140LL146-G	R1/4"	6	11	24,5	20	11	12	24
3140LL188-G	R1/8"	8	8	24	17	11	14	22
3140LL148-G	R1/4"	8	11	24	20	11	14	26
3140LL388-G	R3/8"	8	11,5	27	24	13	14	36
3140LL1410-G	R1/4"	10	11	32	23,5	13	19	48
3140LL3810-G	R3/8"	10	11,5	32	24	13	19	52
3140LL1210-G	R1/2"	10	14	34	28,5	15	19	66
3140LL3812-G	R3/8"	12	11,5	34,5	25,5	15	22	69
3140LL1212-G	R1/2"	12	14	34,5	28,5	15	22	74
3140LL1214-G	R1/2"	14	14	38	30	17	27	106
3140LL1215-G	R1/2"	15	14	38	30	17	27	100
3140LL1216-G	R1/2"	16	14	39,5	31,5	19	30	124
3140LL1218-G	R1/2"	18	14	44	34	22	32	156



3150-G

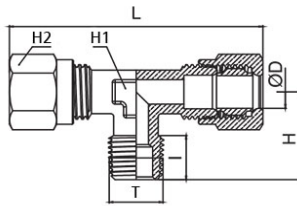
Female elbow BSPP thread



CODE	T	ØD	I	L	H	H1	H2	GR.
3150LL184-G	G1/8"	4	8	22	20	9	10	18
3150LL186-G	G1/8"	6	8	24	20	9	12	20
3150LL146-G	G1/4"	6	11	27	25,5	13	12	40
3150LL188-G	G1/8"	8	8	24	20	11	14	26
3150LL148-G	G1/4"	8	11	27,5	25,5	13	14	40

3160-G

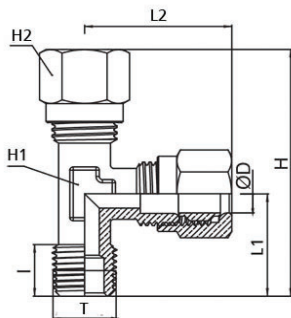
Male tee BSPT thread



CODE	T	ØD	I	L	H	H1	H2	GR.
3160LL184-G	R1/8"	4	8	42	16	9	10	22
3160LL186-G	R1/8"	6	8	46	16	9	12	26
3160LL146-G	R1/4"	6	11	48	20	11	12	34
3160LL188-G	R1/8"	8	8	48	17	11	14	34
3160LL148-G	R1/4"	8	11	48	20	11	14	38
3160LL388-G	R3/8"	8	11,5	54	24	13	14	52
3160LL1410-G	R1/4"	10	11	64	23,5	13	19	80
3160LL3810-G	R3/8"	10	11,5	64	24	13	19	84
3160LL3812-G	R3/8"	12	11,5	69	25,5	15	22	108
3160LL1212-G	R1/2"	12	14	69	28,5	15	22	116
3160LL1214-G	R1/2"	14	14	76	30	17	27	176
3160LL1215-G	R1/2"	15	14	76	30	17	27	170
3160LL1216-G	R1/2"	16	14	79	31,5	19	30	212
3160LL1218-G	R1/2"	18	14	88	34	22	32	256

3170-G

Lateral male tee BSPT thread

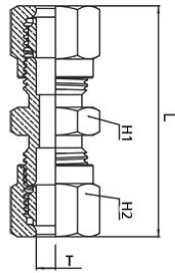


CODE	T	ØD	I	L1	L2	H	H1	H2	GR.
3170LL184-G	R1/8"	4	8	16	21	37	9	10	22
3170LL186-G	R1/8"	6	8	16	23	39	9	10	26
3170LL146-G	R1/4"	6	11	20	24,5	44,5	11	12	34
3170LL188-G	R1/8"	8	8	17	24	41	11	14	34
3170LL148-G	R1/4"	8	11	20	24	44	11	14	38
3170LL388-G	R3/8"	8	11,5	24	27	51	13	14	52
3170LL1410-G	R1/4"	10	11	23,5	32	55,5	13	19	80
3170LL3810-G	R3/8"	10	11,5	24	32	56	13	19	84
3170LL3812-G	R3/8"	12	11,5	25,5	34,5	60	15	22	110
3170LL1212-G	R1/2"	12	14	28,5	34,5	63	15	22	118
3170LL1214-G	R1/2"	14	14	30	38	68	17	27	176
3170LL1215-G	R1/2"	15	14	30	38	68	17	27	170
3170LL1216-G	R1/2"	16	14	31,5	39,5	71	19	30	210
3170LL1218-G	R1/2"	18	14	34	44	78	22	32	256



3180-G

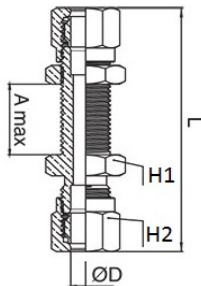
Union connector



CODE	ØD	L	H1	H2	GR.
3180LL4-G	4	33,5	10	10	16
3180LL6-G	6	36,5	12	12	20
3180LL8-G	8	38,5	14	14	28
3180LL10-G	10	47,5	17	19	66
3180LL12-G	12	50,5	19	22	84
3180LL14-G	14	55,5	24	27	148
3180LL15-G	15	55,5	24	27	140
3180LL16-G	16	58	24	30	177
3180LL18-G	18	60	26	32	198

3190-G

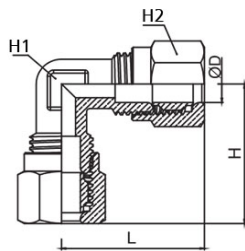
Bulkhead connector



CODE	ØD	A MAX	L	H1	H2	GR.
3190LL6-G	6	15,5	51,5	14	12	32
3190LL8-G	8	16,5	55,5	16	14	42
3190LL10-G	10	15,5	62,5	19	19	90
3190LL12-G	12	16	64,5	22	22	116
3190LL14-G	14	18	69,5	25	27	192
3190LL15-G	15	18	69,5	25	27	184

3200-G

Union elbow connector



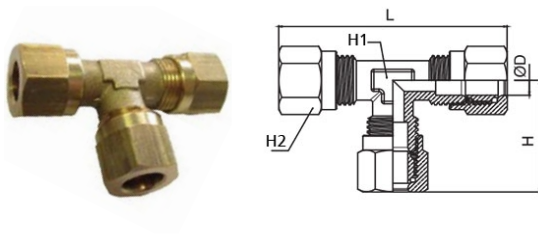
CODE	ØD	L	H	H1	H2	GR.
3200LL4-G	4	21	21	9	10	18
3200LL6-G	6	23	23	9	12	22
3200LL8-G	8	24	24	11	14	30
3200LL10-G	10	32	32	13	19	70
3200LL12-G	12	34,5	34,5	15	22	94
3200LL14-G	14	38	38	17	27	152
3200LL15-G	15	38	38	17	27	144
3200LL16-G	16	39,5	39,5	19	30	186
3200LL18-G	18	44	44	22	32	228





### 3210-G

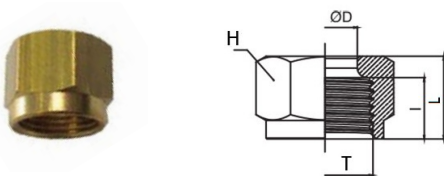
Union tee connector



CODE	ØD	L	H	H1	H2	GR.
3210LL4-G	4	42	21	9	10	26
3210LL6-G	6	46	23	9	12	30
3210LL8-G	8	48	24	11	14	42
3210LL10-G	10	64	32	13	19	102
3210LL12-G	12	69	34,5	15	22	136
3210LL14-G	14	76	38	17	27	226
3210LL15-G	15	76	38	17	27	208
3210LL16-G	16	79	39,5	19	30	272
3210LL18-G	18	88	44	22	32	330

### 3230-G

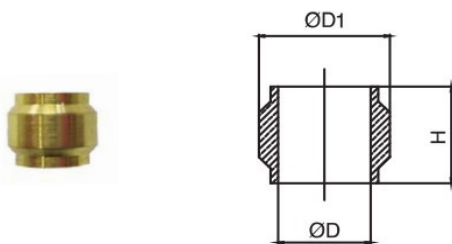
Locking nut



CODE	T	ØD	I	L	H	GR.
3230LLM814-G	M8X1	4	7,5	11	10	4,2
3230LLM1016-G	M10X1	6	8,5	11,5	12	5,5
3230LLM1218-G	M12X1	8	9	12	14	7
3230LLM161510-G	M16X1,5	10	11,5	15,5	19	18
3230LLM181512-G	M18X1,5	12	11,5	15,5	22	25
3230LLM221514-G	M22X1,5	14	12	17,5	27	44
3230LLM221515-G	M22X1,5	15	12	17	27	42
3230LLM241516-G	M24X1,5	16	12	17,5	30	56
3230LLM261518-G	M26X1,5	18	12,5	18,5	32	64

### 3240-G

Ferrule

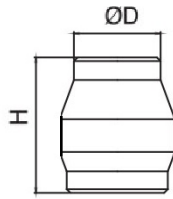


CODE	ØD	ØD1	H	GR.
3240LL4-G	4	7	6	1
3240LL6-G	6	8,5	6,5	1,5
3240LL8-G	8	11	7	2
3240LL10-G	10	13	8	2,5
3240LL12-G	12	15	8,5	3
3240LL14-G	14	17	8,5	3,5
3240LL15-G	15	18	8,5	4
3240LL16-G	16	19	9	4,5
3240LL18-G	18	21	9,5	5



**3245-G**

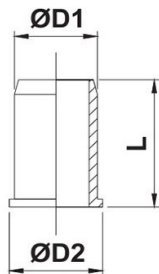
Plug for universal fitting



CODE	ØD	H	GR.
3245LL4-G	4	9	-
3245LL6-G	6	9,5	-
3245LL8-G	8	9,5	-
3245LL10-G	10	11	-
3245LL12-G	12	11,5	-
3245LL14-G	14	13,5	-
3245LL15-G	15	13,5	-
3245LL16-G	16	13,5	-
3245LL18-G	18	15	-

**3250**

Support bush



CODE	TUBO OD	D1	D2	L	GR.
3250TR4	4	2,5	3,5	10,0	0,20
3250TR6	6	4,0	5,5	12,0	0,60
3250TR8	8	6,0	7,5	13,0	1,00
3250TR10	10	8,0	9,5	14,0	1,40
3250TR12	12	10,0	11,5	16,0	2,20
3250TR14	14	12,0	13,5	16,0	2,60
3250TR15	15	12,5	14,5	17,0	2,80
3250TR16	16	14,0	15,5	18,0	3,40



# UNIVERSAL COMPRESSION FITTINGS

## YELLOW BRASS

PLUS

**GREAT GRIPPING SYSTEM THANKS TO  
THE FERRULE AND THE LOCKING NUT**

**RESISTANT TO VIBRATIONS AND TO  
WATER HAMMERS**

**SUITABLE WITH DIESEL FOR DOMESTIC  
HEATING**

**USABLE WITH PLASTIC TUBES THANKS  
TO THE INTERNAL SLEEVE WITHOUT  
REDUCTION FLOW DIAMETER**

**EXCELLENT DURABILITY OVERTIME  
WITH EXCELLENT PERFORMANCE**

**HIGH STRENGTH BRASS FOR GREATER  
MECHANICAL RELIABILITY**

**RANGE FROM Ø4 TO Ø28 MM**





p. 218 / **3400**



p. 219 / **3422**



p. 219 / **3430**



p. 220 / **3440**



p. 220 / **3442**



p. 221 / **3460**



p. 221 / **3465**



p. 222 / **3480**



p. 222 / **3490**



p. 222 / **3500**



p. 223 / **3510**



p. 223 / **3520**



p. 223 / **3530**



p. 224 / **3540**



p. 224 / **3552**



p. 224 / **3560**



p. 225 / **3572**



p. 225 / **3467**



p. 225 / **3468**

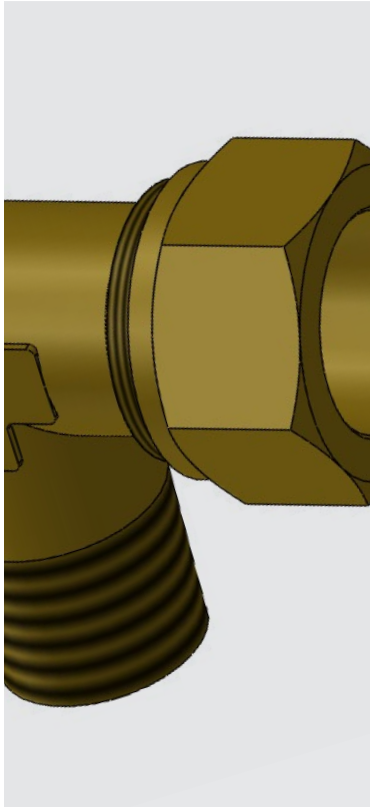


p. 226 / **AS**



p. 226 / **AS-PU**





0°C ÷ 80°C



Up to 100 Bar  
 Meanwhile, for each dimensions, pressure are function of the quality of the tube, condition, thickness and the maximal using temperature. Also mechanical constraints reduce the level of pressure application



Compressed air, water and fluids suitable with construction materials



Taper gas BSPT ISO 7 from R1/8" to R1"  
 Parallel gas BSPP ISO 228 from G1/8" to G1"



**Metal tubes:** brass, copper  
**Plastic tubes:** self fastening tube AS to be used with our 3467 and 3468.



**Body:** Lathed yellow brass UNI EN 12164 CW 614N  
 Printed yellow brass UNI EN12165 CW 617N

**Lock nut:** Yellow brass UNI EN 12164 CW 614N

**Ogive:** Yellow brass UNI EN 12164 CW 614N

Available on demand NPT thread



Products in compliance with the directive 2002/95/EC

**RoHS2**

Products in compliance with the directive 2011/65/EU

**INSTRUCTION FOR ASSEMBLY**

- Cut the tube and remove the internal and external burrs
- Insert the nut into the tube and lubricated the thread insert
- Put the ogive on the final part of the tube
- Push the tube until is stopped into the fittings
- Screw the lubricated in order to obtain the tube secured tank to grip of the ogive

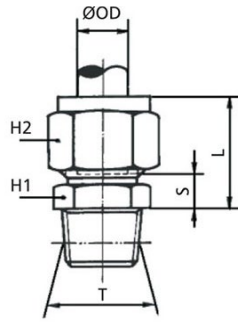
**TIGHTENING TORQUE**

TUBES Ø	4	6	8	10	12	14	16	18	20	22	28
MAXIMUM TORQUE	0,8 Kg/m	1,6 Kg/m	1,6 Kg/m	1,9 Kg/m	3 Kg/m	3,5 Kg/m	5 Kg/m	6 Kg/m	6 Kg/m	7 Kg/m	9 Kg/m



**3400**

Male connector BSPT threaded

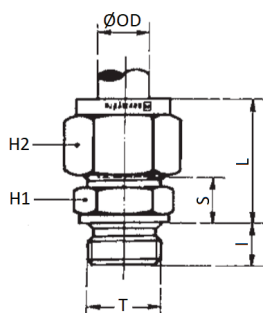


CODE	T	ØOD	L	S	H1	H2	GR.
3400TR184	R1/8"	4	17,0	7,0	10	10	-
3400TR144	R1/4"	4	20,0	9,5	14	10	-
3400TR186	R1/8"	6	18,0	7,5	11	13	18,0
3400TR146	R1/4"	6	18,0	7,5	14	13	25,0
3400TR386	R3/8"	6	19,0	8,5	17	13	-
3400TR188	R1/8"	8	19,5	7,0	13	14	22,0
3400TR148	R1/4"	8	19,5	7,0	14	14	27,0
3400TR388	R3/8"	8	20,5	8,0	17	14	33,0
3400TR1810	R1/8"	10	24,0	9,0	17	19	-
3400TR1410	R1/4"	10	24,0	9,0	17	19	48,0
3400TR3810	R3/8"	10	24,0	9,0	17	19	49,0
3400TR1210	R1/2"	10	25,0	10,0	22	19	67,0
3400TR1412	R1/4"	12	24,0	9,0	19	22	-
3400TR3812	R3/8"	12	24,0	9,0	19	22	-
3400TR1212	R1/2"	12	25,0	10,0	22	22	-
3400TR1414	R1/4"	14	26,0	10,5	22	24	-
3400TR3814	R3/8"	14	25,0	8,0	22	24	70,0
3400TR1214	R1/2"	14	26,0	9,0	22	24	80,0
3400TR1216	R1/2"	16	27,0	9,5	24	27	101,0
3400TR3416	R3/4"	16	28,0	10,5	27	27	-
3400TR1218	R1/2"	18	30,0	10,5	27	30	132,0
3400TR3418	R3/4"	18	30,0	10,5	27	30	143,0
3400TR1220	R1/2"	20	32,0	11,0	30	32	-
3400TR3420	R3/4"	20	32,0	11,0	30	32	-
3400TR1222	R1/2"	22	33,0	11,0	32	36	-
3400TR3422	R3/4"	22	33,0	11,0	32	36	195,0
3400TR122	R1"	22	33,0	11,0	36	36	225,0
3400TR128	R1"	28	36,0	11,0	41	42	-



3422

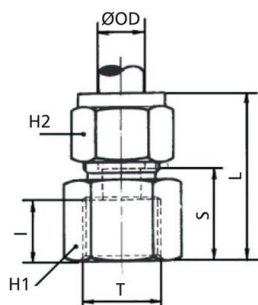
Male connector BSPP thread with seal



CODE	T	ØOD	L	I	S	H1	H2
3422TR184	G1/8"	4	16,5	6,5	8,0	13	10
3422TR186	G1/8"	6	18,0	6,5	8,5	13	13
3422TR146	G1/4"	6	18,0	8,0	9,5	17	13
3422TR188	G1/8"	8	19,0	6,5	8,5	13	14
3422TR148	G1/4"	8	19,5	8,0	9,0	17	14
3422TR388	G3/8"	8	24,5	10,8	11,0	22	14
3422TR1410	G1/4"	10	24,0	8,0	11,0	17	19
3422TR3810	G3/8"	10	24,0	11,0	11,5	22	19
3422TR1412	G1/4"	12	24,0	8,0	11,0	19	22
3422TR3814	G3/8"	14	25,0	11,0	10,5	22	24
3422TR1214	G1/2"	14	25,0	12,0	11,0	27	24
3422TR3816	G3/8"	16	27,0	11,0	12,0	22	27
3422TR1216	G1/2"	16	27,0	12,0	12,5	27	27
3422TR1218	G1/2"	18	29,5	12,0	12,5	27	30
3422TR3418	G3/4"	18	29,5	13,0	13,0	32	30
3422TR3422	G3/4"	22	32,0	13,0	13,0	32	36
3422TR122	G1"	22	32,0	15,0	13,5	41	36
3422TR128	G1"	28	35,5	15,0	13,5	41	42

3430

Female connector BSPP thread

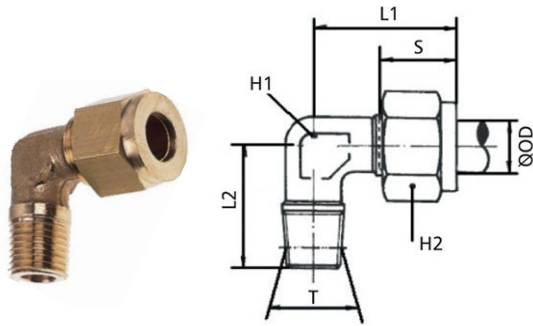


CODE	T	ØOD	I	S	L	H1	H2	GR.
3430TR184	G1/8"	4	9,5	16,5	26	14	10	-
3430TR144	G1/4"	4	13,5	20,5	30	17	10	-
3430TR186	G1/8"	6	9,5	17,0	28	14	13	26,0
3430TR146	G1/4"	6	13,5	21,0	32	17	13	35,0
3430TR188	G1/8"	8	9,5	16,5	29	14	14	28,0
3430TR148	G1/4"	8	13,5	20,5	33	17	14	36,0
3430TR388	G3/8"	8	14,0	21,0	34	22	14	53,0
3430TR1410	G1/4"	10	13,5	21,5	37	17	19	52,0
3430TR3810	G3/8"	10	14,0	22,0	37	22	19	70,0
3430TR1210	G1/2"	10	18,5	26,5	42	27	19	102,0
3430TR3814	G3/8"	14	14,0	21,0	38	22	24	82,0
3430TR1214	G1/2"	14	18,5	25,5	43	27	24	113,0
3430TR1216	G1/2"	16	18,5	26,0	44	27	27	-
3430TR1218	G1/2"	18	18,5	26,0	45	27	30	147,0
3430TR3418	G3/4"	18	19,5	27,0	46	32	30	169,0
3430TR3422	G3/4"	22	19,5	26,5	48	32	36	205,0



**3440**

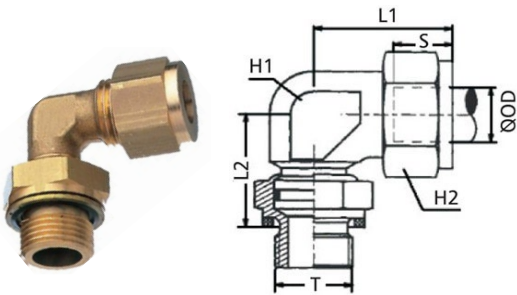
Male elbow BSPT thread



CODE	T	ØD	L1	L2	S	H1	H2	GR.
3440TR184	R1/8"	4	19,0	17,0	12,0	8	10	-
3440TR144	R1/4"	4	19,0	20,0	12,0	10	10	-
3440TR186	R1/8"	6	22,0	18,0	13,0	8	13	22,0
3440TR146	R1/4"	6	22,0	21,5	13,0	10	13	31,0
3440TR188	R1/8"	8	28,0	18,5	15,0	10	14	29,0
3440TR148	R1/4"	8	28,0	22,0	15,0	10	14	34,0
3440TR388	R3/8"	8	28,0	24,0	15,0	12	14	45,0
3440TR1410	R1/4"	10	30,0	25,0	17,0	12	19	53,0
3440TR3810	R3/8"	10	30,0	25,5	17,0	12	19	62,0
3440TR1210	R1/2"	10	36,0	32,0	17,0	19	19	107,0
3440TR1412	R1/4"	12	30,0	26,0	18,0	15	22	-
3440TR3812	R3/8"	12	30,0	27,0	18,0	15	22	-
3440TR1212	R1/2"	12	36,0	32,0	18,0	19	22	-
3440TR3814	R3/8"	14	35,0	30,0	18,0	19	24	105,0
3440TR1214	R1/2"	14	35,0	32,0	18,0	19	24	109,0
3440TR3816	R3/8"	16	39,0	30,0	21,0	19	27	-
3440TR1216	R1/2"	16	39,0	33,5	21,0	19	27	135,0
3440TR3416	R3/4"	16	41,0	36,5	21,0	23	27	-
3440TR1218	R1/2"	18	41,0	35,5	21,5	23	30	176,0
3440TR3418	R3/4"	18	41,0	36,5	21,5	23	30	203,0
3440TR3420	R3/4"	20	42,0	38,0	21,5	23	32	-
3440TR3422	R3/4"	22	50,0	40,0	25,0	27	36	296,0
3440TR122	R1"	22	50,0	44,0	25,0	27	36	324,0
3440TR128	R1"	28	54,0	48,0	30,0	32	42	-

**3442**

Swivel male elbow BSPP thread



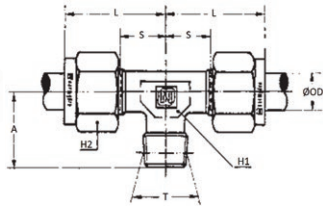
CODE	T	ØD	L1	L2	S	H1	H2	GR.
3442TR184	G1/8"	4	19,0	16,0	12,0	8	10	-
3442TR144	G1/4"	4	19,0	22,0	12,0	10	10	-
3442TR186	G1/8"	6	22,0	16,0	13,0	8	13	23,0
3442TR146	G1/4"	6	22,0	22,0	13,0	10	13	31,0
3442TR188	G1/8"	8	28,0	18,5	15,0	10	14	29,0
3442TR148	G1/4"	8	28,0	22,0	15,0	10	14	34,0
3442TR388	G3/8"	8	28,0	24,0	15,0	12	14	43,0
3442TR1410	G1/4"	10	30,0	22,0	17,0	12	19	53,0
3442TR3810	G3/8"	10	30,0	24,0	17,0	12	19	64,0
3442TR1210	G1/2"	10	30,0	29,5	17,0	19	19	102,0
3442TR3814	G3/8"	14	35,0	25,0	18,0	19	24	105,0
3442TR1214	G1/2"	14	35,0	29,5	18,0	19	24	108,0
3442TR1218	G1/2"	18	41,0	30,5	21,0	23	30	174,0
3442TR3418	G3/4"	18	41,0	32,8	21,5	23	30	202,0
3442TR3422	G3/4"	22	50,0	32,8	25,0	27	36	295,0
3442TR122	G1"	22	50,0	43,5	25,0	27	36	323,0
3442TR128	G1"	28	54,0	43,5	30,0	32	42	-





## 3460

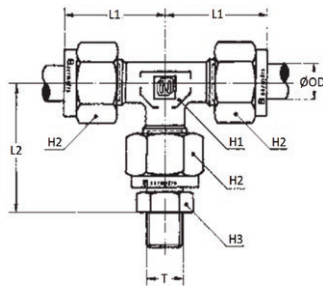
Tee male BSPT thread



CODE	T	ØOD	L	S	A	H1	H2	GR.
3460TR184	R1/8"	4	19,0	9,5	17,0	8	10	-
3460TR185	R1/8"	5	21,0	11,0	17,5	8	12	-
3460TR186	R1/8"	6	22,0	11,0	18,0	8	13	-
3460TR146	R1/4"	6	27,0	16,0	21,5	10	13	-
3460TR188	R1/8"	8	28,0	15,0	18,5	10	14	-
3460TR148	R1/4"	8	28,0	15,0	22,0	10	14	-
3460TR1410	R1/4"	10	30,0	14,5	25,0	12	19	-
3460TR3810	R3/8"	10	30,0	14,5	25,5	12	19	-
3460TR3812	R3/8"	12	30,0	15,0	27,0	15	22	-
3460TR3814	R3/8"	14	35,0	18,0	30,0	19	24	-
3460TR1214	R1/2"	14	35,0	18,0	32,0	19	24	-
3460TR3815	R3/8"	15	35,0	18,0	30,0	19	24	-
3460TR1215	R1/2"	15	35,0	18,0	32,0	19	24	-
3460TR3816	R3/8"	16	39,0	21,0	30,0	19	27	-
3460TR1216	R1/2"	16	39,0	21,0	33,5	19	27	-

## 3465

Swivel tee male BSPP thread

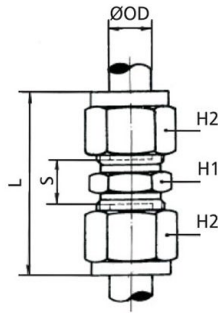


CODE	T	ØOD	L1	L2	H1	H2	H3	GR.
3465TR184	G1/8"	4	19,0	25,0	8	10	13	-
3465TR144	G1/4"	4	19,0	27,0	8	10	17	-
3465TR186	G1/8"	6	22,0	28,0	8	13	13	-
3465TR146	G1/4"	6	22,0	30,0	8	13	17	-
3465TR188	G1/8"	8	28,0	34,0	10	14	13	-
3465TR148	G1/4"	8	28,0	36,0	10	14	17	-
3465TR1410	G1/4"	10	30,0	38,0	12	19	17	-
3465TR3810	G3/8"	10	30,0	38,5	12	19	22	-
3465TR3814	G3/8"	14	35,0	43,5	19	24	22	-
3465TR1214	G1/2"	14	35,0	44,5	19	24	27	-
3465TR1218	G1/2"	18	41,0	50,5	23	30	27	-
3465TR3418	G3/4"	18	41,0	51,5	23	30	32	-
3465TR3422	G3/4"	22	50,0	60,5	27	36	32	-
3465TR122	G1"	22	50,0	61,0	27	36	41	-
3465TR128	G1"	28	55,0	66,0	32	42	41	-



**3480**

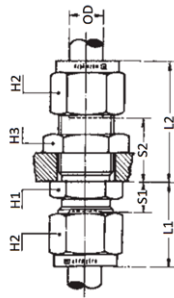
Union connector



CODE	ØD	S	L	H1	H2	GR.
3480TR4	4	10,0	28,0	10	10	-
3480TR6	6	11,0	32,0	11	13	19,0
3480TR8	8	10,0	36,0	13	14	28,0
3480TR10	10	13,0	42,0	17	19	69,0
3480TR12	12	13,0	42,0	19	22	-
3480TR14	14	11,0	45,0	22	24	151,0
3480TR16	16	13,0	48,0	24	27	180,0
3480TR18	18	14,0	53,0	27	30	201,0
3480TR20	20	14,0	56,0	30	32	-
3480TR22	22	14,0	60,0	32	36	225,0
3480TR28	28	14,0	64,0	42	41	-

**3490**

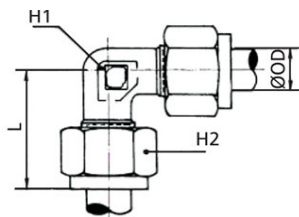
Bulkhead union connector



CODE	ØOD	L1	L2	S1	S2	H1	H2	H3	GR.
3490TR4	4	17,0	27,0	7,0	17,0	10	10	13	-
3490TR6	6	19,0	28,0	7,5	17,5	13	13	14	-
3490TR8	8	20,0	29,0	7,0	17,0	14	14	17	-
3490TR10	10	25,0	33,0	9,0	19,0	19	19	22	-
3490TR12	12	25,0	33,0	9,0	19,0	22	22	22	-
3490TR14	14	25,0	35,0	8,0	18,0	24	24	24	-
3490TR18	18	30,0	40,0	10,5	20,5	27	30	30	-
3490TR22	22	32,0	42,0	11,0	21,0	36	36	36	-
3490TR28	28	40,0	52,0	19,0	30,0	42	42	42	-

**3500**

Union elbow

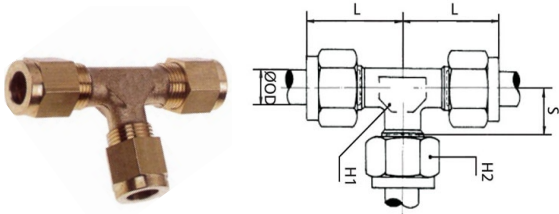


CODE	ØD	L	H1	H2	GR.
3500TR4	4	19,0	5	10	-
3500TR6	6	22,0	8	13	26,0
3500TR8	8	28,0	10	14	34,0
3500TR10	10	30,0	12	19	74,0
3500TR12	12	30,0	15	22	-
3500TR14	14	35,0	19	24	156,0
3500TR16	16	39,0	19	27	190,0
3500TR18	18	41,0	23	30	232,0
3500TR20	20	42,0	23	32	-
3500TR22	22	50,0	27	36	254,0
3500TR28	28	54,5	32	42	-



## 3510

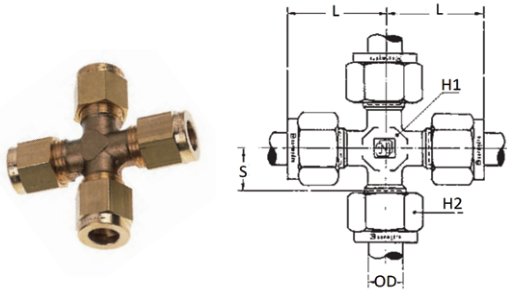
## Union tee



CODE	ØD	S	L	H1	H2	GR.
3510TR4	4	9,5	19,0	8	10	-
3510TR6	6	11,0	22,0	8	13	33,0
3510TR8	8	15,0	28,0	10	14	45,0
3510TR10	10	14,5	30,0	12	19	105,0
3510TR12	12	15,0	30,0	15	22	-
3510TR14	14	18,0	35,0	19	24	230,0
3510TR16	16	21,0	39,0	19	27	275,0
3510TR18	18	21,5	41,0	23	30	333,0
3510TR20	20	21,5	42,0	23	32	-
3510TR22	22	29,0	50,0	27	36	364,0
3510TR28	28	30,0	55,0	32	42	-

## 3520

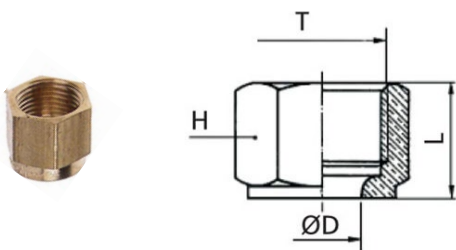
## Union Cross



CODE	ØD	S	L	H1	H2	GR.
3520TR6	6	11,0	22,0	8	12	-
3520TR8	8	15,0	28,0	11	14	-
3520TR10	10	15,0	30,0	14	19	-
3520TR12	12	15,0	30,0	15	22	-
3520TR14	14	18,0	35,0	20	24	-
3520TR16	16	21,0	39,0	20	27	-
3520TR18	18	21,5	41,0	25	30	-
3520TR20	20	21,5	42,0	25	32	-
3520TR22	22	29,0	50,0	27	36	-

## 3530

## Locking nut

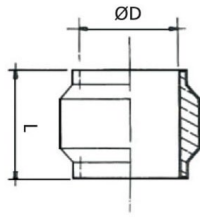


CODE	ØD	T	L	H	GR.
3530TR4	4	M8X1	11,0	10	-
3530TR6	6	M10X1	11,0	13	5,4
3530TR8	8	M12X1	13,0	14	7,0
3530TR10	10	M16X1,5	15,0	19	18,2
3530TR12	12	M18X1,5	15,0	22	-
3530TR14	14	M20X1,5	15,0	24	44,3
3530TR16	16	M22X1,5	17,0	27	55,6
3530TR18	18	M24X1,5	18,0	30	64,2
3530TR20	20	M27X1,5	18,0	32	-
3530TR22	22	M30X1,5	19,0	36	76,3
3530TR28	28	M36X1,5	21,0	42	-



**3540**

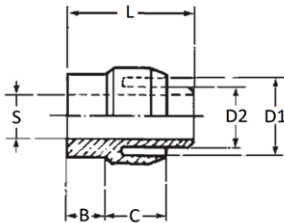
Ogive



CODE	ØD	L	GR.
3540TR4	4	6,0	-
3540TR6	6	6,5	0,82
3540TR8	8	7,0	1,12
3540TR10	10	8,0	3,30
3540TR12	12	8,0	-
3540TR14	14	8,5	4,42
3540TR16	16	9,0	5,00
3540TR18	18	9,5	5,90
3540TR20	20	11,0	-
3540TR22	22	11,0	7,10
3540TR28	28	12,0	-

**3552**

Ring and internal sleeve



CODE	D1	D2	L	B	C	S	GR.
3552TR64	6	4	12,5	4	6	3,5	-
3552TR855	8	5,5	14,0	4	7,5	4,5	-
3552TR86	8	6	14,0	4	7,4	5	-
3552TR107	10	7	14,0	4	8,5	6,5	-
3552TR108	10	8	14,0	4	8,3	6,5	-
3552TR128	12	8	14,5	4	8,5	7,5	-
3552TR1210	12	10	14,5	4	8,5	8,5	-

The ring 3552 are designed for Polyamide tube installed in compression fittings.

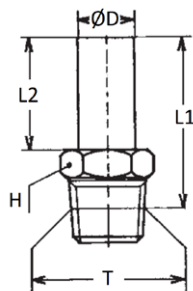
Designed ensures the both functions of ring and sleeve.

The front part has the function of the ring; introduce tube in the back part of 3552 and tighten the nut to get tightening and tightness.

There is not reduction flow diameter.

**3560**

Adapter male BSPT thread

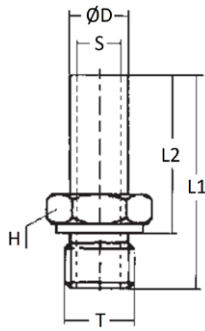


CODE	T	ØD	L1	L2	H	GR.
3560TR186	R1/8"	6	26,5	15	11	-
3560TR146	R1/4"	6	31	15	14	-
3560TR188	R1/8"	8	28,5	17	11	-
3560TR148	R1/4"	8	33	17	14	-
3560TR388	R3/8"	8	33,7	17	17	-
3560TR1410	R1/4"	10	36	20	14	-
3560TR3810	R3/8"	10	36,5	20	17	-
3560TR1210	R1/2"	10	41	20	22	-
3560TR1412	R1/4"	12	36	20	14	-
3560TR3812	R3/8"	12	36,5	20	17	-
3560TR1212	R1/2"	12	41	20	22	-
3560TR3814	R3/8"	14	38	21,5	17	-
3560TR1214	R1/2"	14	42,5	21,5	22	-
3560TR1216	R1/2"	16	44	23	22	-
3560TR1218	R1/2"	18	44,5	23,5	22	-
3560TR3418	R3/4"	18	47,5	23,5	27	-
3560TR3422	R3/4"	22	48,5	25,5	27	-



## 3572

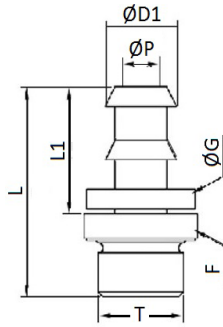
## Adapter male BSPP thread



CODE	T	ØD	L1	L2	S	H	GR.
3572TR184	G1/8"	4	25,5	19	2	13	-
3572TR186	G1/8"	6	26,5	20	4	13	-
3572TR146	G1/4"	6	30	22	4	17	-
3572TR188	G1/8"	8	28,5	22	6	13	-
3572TR148	G1/4"	8	32	24	6	17	-
3572TR1410	G1/4"	10	35	27	8	17	-
3572TR3810	G3/8"	10	38,5	27,5	8	22	-
3572TR1210	G1/2"	10	40,5	28,5	8	27	-
3572TR3814	G3/8"	14	40	29	11	22	-
3572TR1214	G1/2"	14	42	30	12	27	-
3572TR1218	G1/2"	18	44	32	14	27	-
3572TR3418	G3/4"	18	46	33	16	32	-
3572TR3422	G3/4"	22	48	35	20	32	-
3572TR122	G1"	22	50,5	35,5	20	41	-
3572TR128	G1"	28	55	40	25	41	-

## 3467

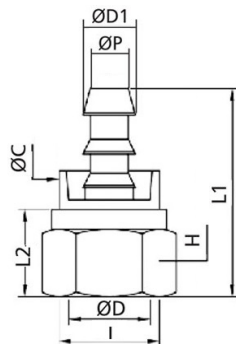
## Male barb connector BSPP thread



CODE	T	ØD1	DN	L	L1	F	ØG	ØP	GR.
3467TR1814	G1/8"	1/4"(6,3MM)	1/4"	31,5	20,0	13	14,0	4,0	14,0
3467TR1414	G1/4"	1/4"(6,3MM)	1/4"	35,0	20,0	17	14,0	4,0	26,0
3467TR1438	G1/4"	3/8"(9,5MM)	3/8"	39,1	24,1	17	17,0	7,5	27,0
3467TR3838	G3/8"	3/8"(9,5MM)	3/8"	42,5	24,1	22	17,0	7,5	47,0
3467TR3812	G3/8"	1/2"(12,7MM)	1/2"	46,5	28,0	22	20,5	10,0	48,0
3467TR1212	G1/2"	1/2"(12,7MM)	1/2"	48,5	28,0	27	20,5	10,0	79,0
3467TR1258	G1/2"	5/8"(15,9MM)	5/8"	56,5	36,5	27	24,0	13,5	73,0
3467TR3458	G3/4"	5/8"(15,9MM)	5/8"	58,5	36,5	32	24,0	13,5	117,0
3467TR3434	G3/4"	3/4"(19,1MM)	3/4"	65,3	43,0	32	27,0	16,0	123,0

## 3468

## Female barb connector BSPP thread



CODE	DN	T	ØD1	D	L1	L2	ØC	E	ØP	GR.
3468TRM1014	6	M10X1	1/4"(6,3MM)	1/4"	33,5	11,0	16,5	13,0	4,0	17,0
3468TRM1214	8	M12X1	1/4"(6,3MM)	1/4"	34,5	13,0	16,5	14,0	4,8	18,0
3468TRM1614	10	M16X1,5	1/4"(6,3MM)	1/4"	35,8	15,0	16,5	19,0	4,8	33,0
3468TRM1638	10	M16X1,5	3/8"(9,5MM)	3/8"	39,3	15,0	19,5	19,0	7,5	35,0
3468TRM2038	14	M20X1,5	3/8"(9,5MM)	3/8"	39,3	15,0	19,5	24,0	7,5	52,0
3468TRM2012	14	M20X1,5	1/2"(12,7MM)	1/2"	44,0	15,0	23,5	24,0	10,0	56,0
3468TRM2212	15	M22X1,5	1/2"(12,7MM)	1/2"	45,0	17,0	23,5	27,0	10,0	77,0
3468TRM2412	16	M24X1,5	1/2"(12,7MM)	1/2"	47,0	18,0	23,5	30,0	10,0	99,0
3468TRM2458	16	M24X1,5	5/8"(15,9MM)	5/8"	55,0	18,0	27,0	30,0	13,5	97,0
3468TRM3034	22	M30X1,5	3/4"(19,1MM)	3/4"	62,0	18,5	30,0	36,0	16,0	137,0



**AS**

AS Self fastening



CODE	DN	INTERNAL DIAMETER	TOLERANCES	BENDING RADIUS	KG/M	LENGHT (M)
AS1/4	6	6,35	0/+0,5	20	0,18	40
AS3/8	8	9,52	0/+0,5	40	0,21	40
AS1/2	10	12,7	0/+0,8	50	0,28	40
AS5/8	12	15,87	0/+0,8	60	0,36	40
AS3/4	20	19,05	0/+0,8	100	0,38	40





Sizes ODxID	 Light blue	 Red	 Green
1/4	AS1/4BL	AS1/4RO	AS1/4VE
3/8	AS3/8BL	AS3/8RO	AS3/8VE
1/2	AS1/2BL	AS1/2RO	AS1/2VE
5/8	AS5/8BL	AS5/8RO	AS5/8VE
3/4	AS3/4BL	AS3/4RO	AS3/4VE

**AS-PU**

Self-fastening tubes with polyester yarn reinforcement



CODE	Ø.I.D	Ø.I.D	Ø.O.D	TOTAL THICKNESS	BENDING RADIUS	WORKING PRESSURE 23°C	WORKING PRESSURE 40°C	WORKING PRESSURE 60°C	BURST PRESSURE 23°C	KG/M	LENGHT
AS-PU1/4	1/4	6,3	12,5	3,25	25	25	12	6	95	125	100
AS-PU3/8	3/8	9,5	16	3,25	50	20	10	5	80	125	100
AS-PU1/2	1/2	12,7	19	3,5	75	20	10	5	80	125	100
AS-PU5/8	5/8	16,0	23	3,75	120	17	8	4	60	250	50
AS-PU3/4	3/4	19,0	27	4	150	17	8	4	60	300	50

Sizes ODxID	 Light blue	 Red	 Green	 Black
1/4	AS-PU1/4AZ	AS-PU1/4RO	AS-PU1/4VD	AS-PU1/4NE
3/8	AS-PU3/8AZ	AS-PU3/8RO	AS-PU3/8VD	AS-PU3/8NE
1/2	AS-PU1/2AZ	AS-PU1/2RO	AS-PU1/2VD	AS-PU1/2NE
5/8	AS-PU5/8AZ	AS-PU5/8RO	AS-PU5/8VD	AS-PU5/8NE
3/4	AS-PU3/4AZ	AS-PU3/4RO	AS-PU3/4VD	AS-PU3/4NE



# COMPRESSION FITTINGS

## BRASS

PLUS

**GREAT GRIPPING SYSTEM THANKS TO  
THE FERRULE AND THE LOCKING NUT**

---

**RESISTANT TO VIBRATIONS AND TO  
WATER HAMMERS**

---

**SUITABLE WITH AIR AND OIL**

---

**USABLE WITH PLASTIC TUBES THANKS  
TO THE INTERNAL SUPPORT BUSH**





p. 229 / **3100**



p. 230 / **3120**



p. 230 / **3130**



p. 230 / **3140**



p. 231 / **3150**



p. 231 / **3160**



p. 231 / **3170**



p. 232 / **3180**



p. 232 / **3190**



p. 232 / **3200**



p. 233 / **3210**



p. 233 / **3230**



p. 233 / **3240**



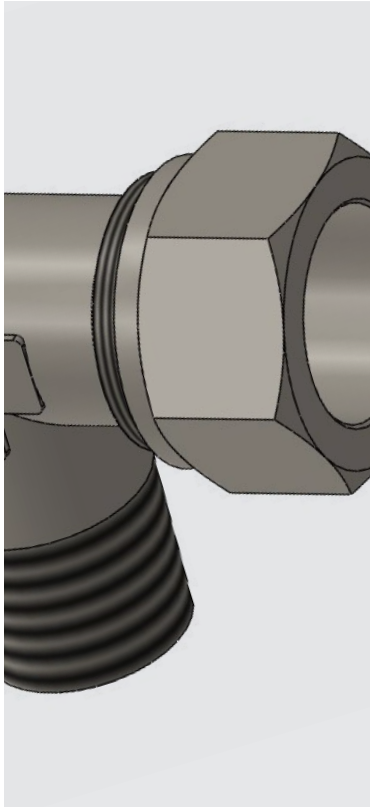
p. 234 / **3250**



p. 234 / **1176**







-20°C ÷ 80°C  
The temperature depend on the pipe's features used



Up to 60 Bar  
Maximum working pressure depend on the pipe's features used



Compressed air, oil and fluids suitable with construction materials. Tube sites, ogives and locking nuts are manufactured in compliance with DIN 3870 - 3861.



Taper gas BSPT ISO 7 from R1/8" to R1/2"  
Parallel gas BSPP ISO 228 from G1/8" to G1/2"



**Metal tubes:** brass, copper, steel and aluminum  
**Plastic tubes:** polyethylene, Polyamide, PTFE, FEP using support bush (art. 3250)



**Body:** Lathed nickel plated brass  
UNI EN 12164 CW 614N  
Printed nickel plated brass  
UNI EN12165 CW 617N

**Lock nut:** Nickel plated brass  
UNI EN 12164 CW 614N

**Ogive:** Brass  
UNI EN 12164 CW 614N



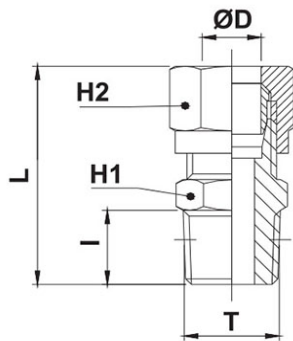
Products in compliance with the directive 2002/95/EC

## RoHS2

Products in compliance with the directive 2011/65/EU

## 3100

### Male connector BSPT thread

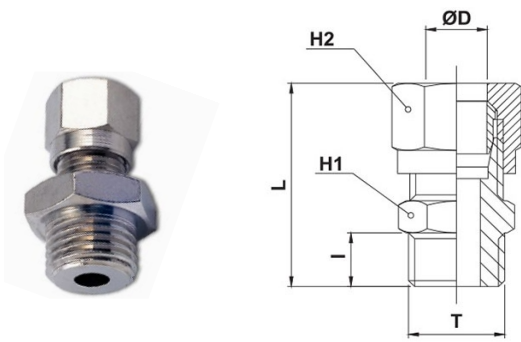


CODE	T	ØD	I	L	H1	H2	GR.
3100TR184	R1/8"	4	8,0	27,0	10	10	12,0
3100TR186	R1/8"	6	8,0	28,0	12	12	16,0
3100TR146	R1/4"	6	11,0	32,5	14	12	24,0
3100TR188	R1/8"	8	8,0	29,5	12	14	18,0
3100TR148	R1/4"	8	11,0	33,0	14	14	24,0
3100TR388	R3/8"	8	11,5	33,0	17	14	36,0
3100TR1410	R1/4"	10	11,0	37,5	17	19	44,0
3100TR3810	R3/8"	10	11,5	38,0	17	19	50,0
3100TR1210	R1/2"	10	14,0	40,5	22	19	74,0
3100TR3812	R3/8"	12	11,5	39,0	19	22	58,0
3100TR1212	R1/2"	12	14,0	41,0	22	22	78,0
3100TR1214	R1/2"	14	14,0	42,5	22	27	102,0
3100TR1215	R1/2"	15	14,0	42,5	22	27	96,0
3100TR1216	R1/2"	16	14,0	42,0	24	30	112,0
3100TR1218	R1/2"	18	14,0	43,0	26	32	126,0



3120

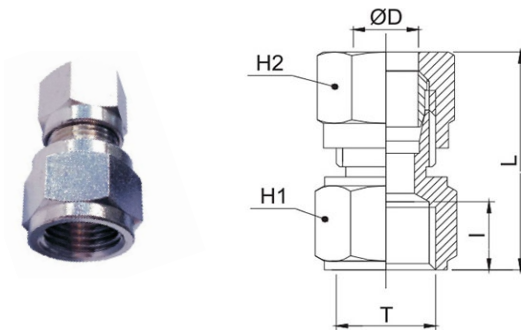
Male connector BSPP thread



CODE	T	ØD	I	L	H1	H2	GR.
3120TR184	G1/8"	4	6,0	25,0	14	10	16,0
3120TR186	G1/8"	6	6,0	26,0	14	12	16,0
3120TR146	G1/4"	6	8,0	29,5	17	12	24,0
3120TR188	G1/8"	8	6,0	27,5	14	14	18,0
3120TR148	G1/4"	8	8,0	30,0	17	14	28,0
3120TR388	G3/8"	8	9,0	30,5	19	14	34,0
3120TR1410	G1/4"	10	8,0	34,5	17	19	44,0
3120TR3810	G3/8"	10	9,0	36,0	19	19	50,0

3130

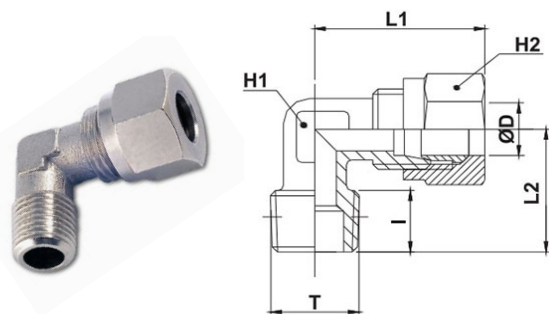
Female connector BSPP thread



CODE	T	ØD	I	L	H1	H2	GR.
3130TR184	G1/8"	4	8,0	24,5	14	10	16,0
3130TR186	G1/8"	6	8,0	26,0	14	12	17,0
3130TR146	G1/4"	6	11,0	30,5	17	12	26,0
3130TR188	G1/8"	8	8,0	26,5	14	14	20,0
3130TR148	G1/4"	8	11,0	31,0	17	14	28,0
3130TR388	G3/8"	8	11,5	31,0	20	14	32,0
3130TR1410	G1/4"	10	11,0	35,5	17	19	46,0
3130TR3810	G3/8"	10	11,5	36,5	20	19	50,0
3130TR3812	G3/8"	12	11,5	37,0	20	22	58,0
3130TR1212	G1/2"	12	15,0	38,5	24	22	70,0
3130TR1214	G1/2"	14	15,0	40,0	24	27	98,0
3130TR1215	G1/2"	15	15,0	40,5	24	27	94,0
3130TR1216	G1/2"	16	16,0	41,5	24	30	110,0
3130TR1218	G1/2"	18	16,0	43,0	24	32	134,0

3140

Male elbow BSPT thread

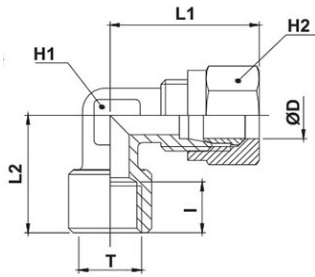


CODE	T	ØD	I	L1	L2	H1	H2	GR.
3140TR184	R1/8"	4	8,0	21,0	16,0	9	10	14,0
3140TR186	R1/8"	6	8,0	22,0	16,0	9	12	16,0
3140TR146	R1/4"	6	11,0	24,5	20,0	11	12	24,0
3140TR188	R1/8"	8	8,0	24,0	17,0	11	14	22,0
3140TR148	R1/4"	8	11,0	24,0	20,0	11	14	26,0
3140TR388	R3/8"	8	11,5	27,0	24,0	13	14	36,0
3140TR1410	R1/4"	10	11,0	32,0	23,5	13	19	48,0
3140TR3810	R3/8"	10	11,5	32,0	24,0	13	19	52,0
3140TR1210	R1/2"	10	14,0	34,0	28,5	15	19	66,0
3140TR3812	R3/8"	12	11,5	34,5	25,5	15	22	69,0
3140TR1212	R1/2"	12	14,0	34,5	28,5	15	22	74,0
3140TR1214	R1/2"	14	14,0	38,0	30,0	17	27	106,0
3140TR1215	R1/2"	15	14,0	38,0	30,0	17	27	100,0
3140TR1216	R1/2"	16	14,0	39,5	31,5	19	30	124,0
3140TR1218	R1/2"	18	14,0	44,0	34,0	22	32	156,0



## 3150

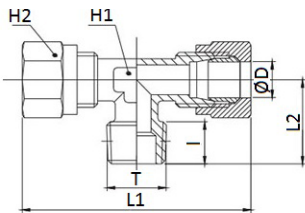
## Female elbow BSPP thread



CODE	T	ØD	I	L1	L2	H1	H2	GR.
3150TR184	G1/8"	4	8,0	22,0	20,0	9	10	18,0
3150TR186	G1/8"	6	8,0	24,0	20,0	9	12	20,0
3150TR146	G1/4"	6	11,0	27,0	25,5	13	12	39,0
3150TR188	G1/8"	8	8,0	24,0	20,0	11	14	26,0
3150TR148	G1/4"	8	11,0	27,5	25,5	13	14	40,0

## 3160

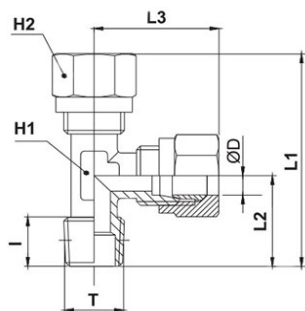
## Male tee BSPT thread



CODE	T	ØD	I	L1	L2	H1	H2	GR.
3160TR184	R1/8"	4	8,0	42,0	16,0	9	10	22,0
3160TR186	R1/8"	6	8,0	46,0	16,0	9	12	26,0
3160TR146	R1/4"	6	11,0	48,0	20,0	11	12	34,0
3160TR188	R1/8"	8	8,0	48,0	17,0	11	14	34,0
3160TR148	R1/4"	8	11,0	48,0	20,0	11	14	38,0
3160TR388	R3/8"	8	11,5	54,0	24,0	13	14	52,0
3160TR1410	R1/4"	10	11,0	64,0	23,5	13	19	80,0
3160TR3810	R3/8"	10	11,5	64,0	24,0	13	19	84,0
3160TR3812	R3/8"	12	11,5	69,0	25,5	15	22	108,0
3160TR1212	R1/2"	12	14,0	69,0	28,5	15	22	118,0
3160TR1214	R1/2"	14	14,0	76,0	30,0	17	27	176,0
3160TR1215	R1/2"	15	14,0	76,0	30,0	17	27	170,0
3160TR1216	R1/2"	16	14,0	79,0	31,5	19	30	212,0
3160TR1218	R1/2"	18	14,0	88,0	34,0	22	32	256,0

## 3170

## Lateral male tee BSPT thread

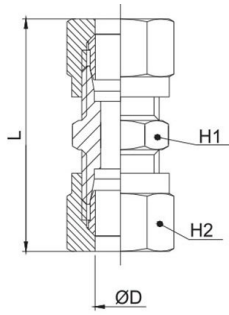


CODE	T	ØD	I	L1	L2	L3	H1	H2	GR.
3170TR184	R1/8"	4	8,0	37,0	16,0	21,0	9	10	22,0
3170TR186	R1/8"	6	8,0	39,0	16,0	23,0	9	10	26,0
3170TR146	R1/4"	6	11,0	44,5	20,0	24,5	11	12	34,0
3170TR188	R1/8"	8	8,0	41,0	17,0	24,0	11	14	34,0
3170TR148	R1/4"	8	11,0	44,0	20,0	24,0	11	14	38,0
3170TR388	R3/8"	8	11,5	51,0	24,0	27,0	13	14	52,0
3170TR1410	R1/4"	10	11,0	55,5	23,5	32,0	13	19	80,0
3170TR3810	R3/8"	10	11,5	56,0	24,0	32,0	13	19	84,0
3170TR3812	R3/8"	12	11,5	60,0	25,5	34,5	15	22	110,0
3170TR1212	R1/2"	12	14,0	63,0	28,5	34,5	15	22	118,0
3170TR1214	R1/2"	14	14,0	68,0	30,0	38,0	17	27	176,0
3170TR1215	R1/2"	15	14,0	68,0	30,0	38,0	17	27	170,0
3170TR1216	R1/2"	16	14,0	71,0	31,5	39,5	19	30	210,0
3170TR1218	R1/2"	18	14,0	78,0	34,0	44,0	22	32	256,0



3180

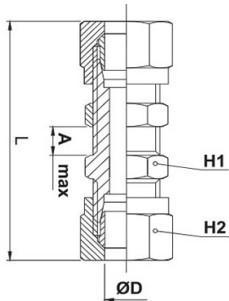
Union connector



CODE	ØD	L	H1	H2	GR.
3180TR4	4	33,5	10	10	16,0
3180TR6	6	36,5	12	12	25,0
3180TR8	8	38,5	14	14	28,0
3180TR10	10	47,5	17	19	66,0
3180TR12	12	50,5	19	22	93,0
3180TR14	14	55,5	24	27	148,0
3180TR15	15	55,5	24	27	140,0
3180TR16	16	58,0	24	30	177,0
3180TR18	18	60,0	26	32	198,0

3190

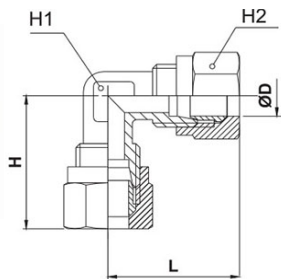
Bulkhead connector



CODE	ØD	A MAX	L	H1	H2	GR.
3190TR6	6	15,5	51,5	14	12	32,0
3190TR8	8	16,5	55,5	16	14	42,0
3190TR10	10	15,5	62,5	19	19	90,0
3190TR12	12	16,0	64,5	22	22	116,0
3190TR14	14	18,0	69,5	25	27	192,0
3190TR15	15	18,0	69,5	25	27	184,0

3200

Union elbow connector

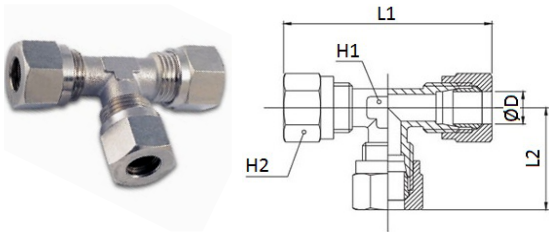


CODE	ØD	L1	L2	H1	H2	GR.
3200TR4	4	21,0	21,0	9	10	18,0
3200TR6	6	23,0	23,0	9	12	22,0
3200TR8	8	24,0	24,0	11	14	30,0
3200TR10	10	32,0	32,0	13	19	70,0
3200TR12	12	34,5	34,5	15	22	94,0
3200TR14	14	38,0	38,0	17	27	152,0
3200TR15	15	38,0	38,0	17	27	144,0
3200TR16	16	39,5	39,5	19	30	186,0
3200TR18	18	44,0	44,0	22	32	228,0



## 3210

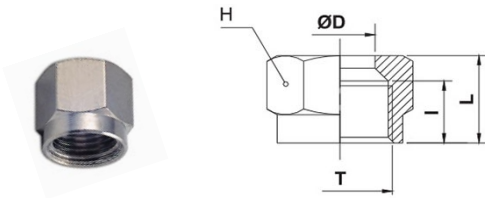
Union tee connector



CODE	ØD	L1	L2	H1	H2	GR.
3210TR4	4	42,0	21,0	9	10	26,0
3210TR6	6	46,0	23,0	9	12	30,0
3210TR8	8	48,0	24,0	11	14	42,0
3210TR10	10	64,0	32,0	13	19	102,0
3210TR12	12	69,0	34,5	15	22	136,0
3210TR14	14	76,0	38,0	17	27	226,0
3210TR15	15	76,0	38,0	17	27	208,0
3210TR16	16	79,0	39,5	19	30	272,0
3210TR18	18	88,0	44,0	22	32	330,0

## 3230

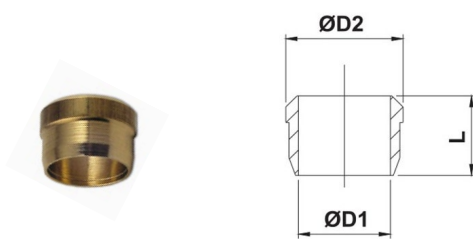
Locking nut



CODE	T	ØD	I	L	H	GR.
3230TRM814	M8X1	4	7,5	11,0	10	4,2
3230TRM1016	M10X1	6	8,5	11,5	12	5,4
3230TRM1218	M12X1	8	9,0	12,0	14	7,0
3230TRM161510	M16X1,5	10	11,5	15,5	19	18,2
3230TRM181512	M18X1,5	12	11,5	15,5	22	25,0
3230TRM221514	M22X1,5	14	12,0	17,5	27	44,3
3230TRM221515	M22X1,5	15	12,0	17,0	27	41,1
3230TRM241516	M24X1,5	16	12,0	17,5	30	55,6
3230TRM261518	M26X1,5	18	12,5	18,5	32	64,2

## 3240

Ferrule

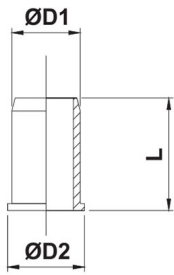


CODE	ØD1	ØD2	L	GR.
3240TR4	4	6	6,0	0,45
3240TR6	6	8	7,0	0,82
3240TR8	8	10	7,0	1,12
3240TR10	10	13	10,0	3,32
3240TR12	12	15	10,0	3,80
3240TR14	14	17	10,0	4,40
3240TR15	15	18	10,0	4,76
3240TR16	16	19	10,0	5,04
3240TR18	18	21	10,5	5,92



3250

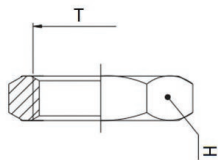
Internal support bush



CODE	TUBO OD	D1	D2	L	GR.
3250TR4	4	2,5	3,5	10,0	0,20
3250TR6	6	4,0	5,5	12,0	0,60
3250TR8	8	6,0	7,5	13,0	1,00
3250TR10	10	8,0	9,5	14,0	1,40
3250TR12	12	10,0	11,5	16,0	2,20
3250TR14	14	12,0	13,5	16,0	2,60
3250TR15	15	12,5	14,5	17,0	2,80
3250TR16	16	14,0	15,5	18,0	3,40

1176

Bulkhead locking nut



CODE	T	H	GR.
1176TRM101	M10X1	14	3,0
1176TRM121	M12X1	16	3,8
1176TRM1615	M16X1,5	19	5,0
1176TRM1815	M18X1,5	22	7,0
1176TRM2215	M22X1,5	25	17,0



# **COMPRESSION FITTINGS**

**INOX AISI 316  
DIN 2353**

**PLUS**

---

**GREAT GRIPPING SYSTEM THANKS TO  
THE FERRULE AND THE LOCKING NUT**

---

**RESISTANT TO VIBRATIONS AND TO  
WATER HAMMERS**

---

**FITTINGS IN COMPLIANCE WITH DIN  
2353**

---

**OGIVE WITH CARBONIZED HARDNING  
TREATMENT**





p. 238 / **3700**



p. 238 / **3720**



p. 239 / **3730**



p. 239 / **3740**



p. 239 / **3780**



p. 240 / **3790**



p. 240 / **1476**



p. 240 / **3800**



p. 240 / **3810**



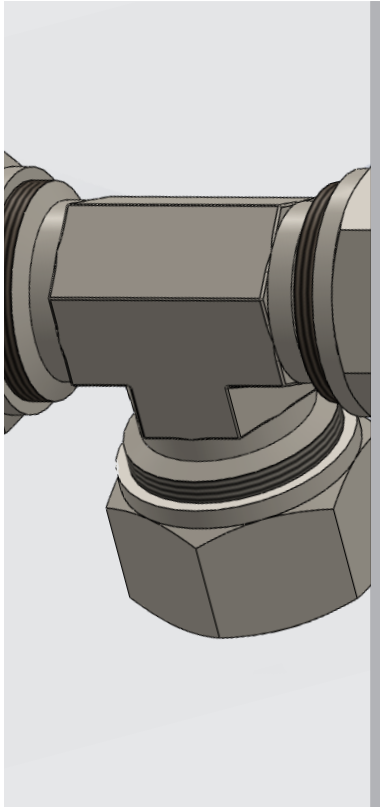
p. 241 / **3830**



p. 241 / **3840**







-60°C ÷ 400°C



See in model table.  
For pneumatics applications the pressures indicated in the table must be reduced by 50%



Compressed air, oil water, oil, chemical products and aggressive fluids suitable with construction materials. The fittings are designed and manufactured in compliance with DIN 2353



Taper gas BSPT ISO 7 DIN 2999 from R1/8" to R1/2"



Parallel gas BSPP ISO 228 DIN-ISO 228 (DIN 259) from G1/8" to G3/4"



Stainless steel annealed seamless tubing according to DIN 2391 regulation. The tubes should be suitable with process fluid, pressure and temperature.



**Body:** stainless steel AISI 316

**Lock nut:** stainless steel AISI 316 - silver thread

**Ogive:** stainless steel AISI 316 with carbonized hardening treatment

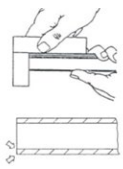


Products in compliance with the directive 2002/95/EC

## RoHS2

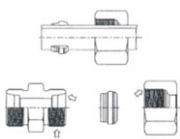
Products in compliance with the directive 2011/65/EU

## INSTRUCTION FOR ASSEMBLY



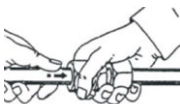
**1**

- Ensure that the tube end is cut at 90° with an angular maximum offset of  $\pm 1/2^\circ$  in relation to the tube axis.
- After clean, lightly deburr tube ends at the inside and outside edge.



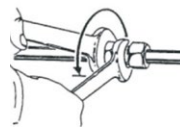
**2**

- Lubricate the thread and the inside part of the fitting body, the ring and the thread of the nut. Don't use grease.



**3**

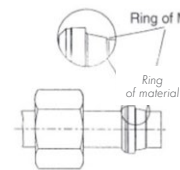
- Place nut and cutting ring on the tube. Ensure the cutting ring and nut are facing the right way.
- Manually screw the nut on to the fitting body keeping the tube completely inserted in.



**4**

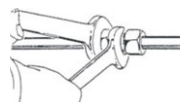
- Finally tighten the nut using a wrench for 1 and 1/2 turns by holding the fitting body with a second wrench. Never turn the fitting body, hold the body and turn the nut.

**WARNING:** Any deviation in the number of tightening turns reduces the maximum pressure and the service life of the fitting and may cause leakages or slipping of the tube.



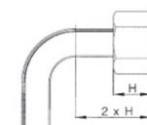
**5**

- Check penetration of cutting edge. A visible ring of material should fill the space in front of the cutting ring and face. Cutting ring may turn on tube but should not be capable of axial displacement.



**6**

- Tighten the nut again on to fitting body until a sharp condition rise in torque is felt.



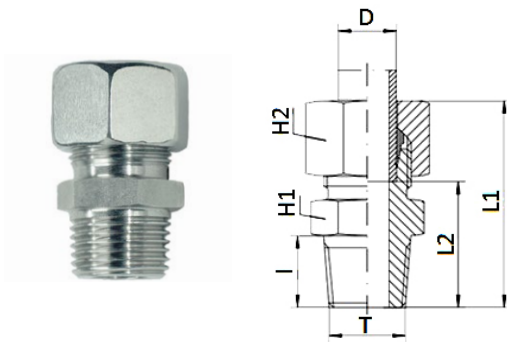
**7**

- Minimum length of straight tube and for tube bends, up to start of the bending radius must be at least twice the net length (H).



3700

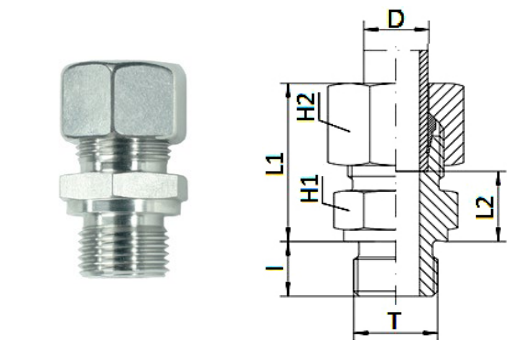
Male connector BSPT thread



CODE	T	ØD	I	L1	L2	H1	H2	BAR	GR.
3700TRLL184	R1/8"	4	8,0	26,0	16,0	11,0	10,0	100	19,0
3700TRL186	R1/8"	6	8,0	30,0	15,0	14,0	14,0	315	22,0
3700TRLL188	R1/8"	8	8,0	28,0	16,5	12,0	14,0	100	33,0
3700TRL148	R1/4"	8	12,0	35,0	20,0	17,0	17,0	315	38,0
3700TRL1410	R1/4"	10	12,0	36,0	21,0	17,0	19,0	315	43,0
3700TRL1412	R1/4"	12	12,0	37,0	22,0	19,0	22,0	315	56,0
3700TRL3812	R3/8"	12	12,0	37,0	22,0	19,0	22,0	315	71,0
3700TRL1212	R1/2"	12	14,0	39,0	24,0	22,0	22,0	315	82,0
3700TRL3815	R3/8"	15	12,0	38,0	23,0	24,0	27,0	315	96,0
3700TRL1215	R1/2"	15	14,0	40,0	25,0	24,0	27,0	315	103,0

3720

Male connector BSPP thread

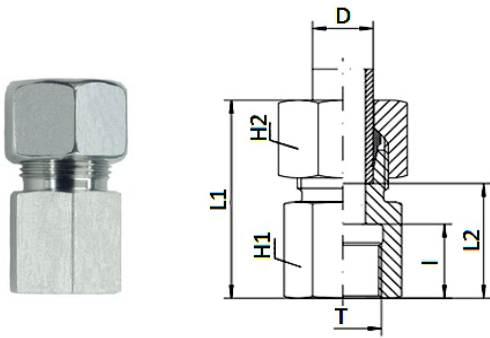


CODE	T	ØD	L1	L2	I	H1	H2	BAR	GR.
3720TRL186	G1/8"	6	23,0	8,5	8,0	14	14	315	25,0
3720TRL146	G1/4"	6	27,0	9,0	12,0	19	14	315	35,0
3720TRL386	G3/8"	6	27,0	11,5	12,0	22	14	315	56,0
3720TRL126	G1/2"	6	29,0	12,0	14,0	27	14	315	73,0
3720TRL188	G1/8"	8	26,0	9,5	8,0	14	17	315	31,0
3720TRL148	G1/4"	8	25,0	10,0	12,0	19	17	315	43,0
3720TRL388	G3/8"	8	28,5	11,5	12,0	22	17	315	60,0
3720TRL128	G1/2"	8	28,5	13,0	14,0	27	17	315	90,0
3720TRL1410	G1/4"	10	26,0	11,0	12,0	19	19	315	48,0
3720TRL3810	G3/8"	10	30,5	12,5	12,0	22	19	315	62,0
3720TRL1210	G1/2"	10	32,5	13,0	14,0	27	19	315	92,0
3720TRL1412	G1/4"	12	30,0	12,0	12,0	19	22	315	58,0
3720TRL3812	G3/8"	12	27,0	12,5	12,0	22	22	315	70,0
3720TRL1212	G1/2"	12	31,0	13,0	14,0	27	22	315	94,0
3720TRL3412	G3/4"	12	31,0	14,0	16,0	32	22	315	147,0
3720TRL3815	G3/8"	15	31,0	13,5	12,0	24	27	315	97,0
3720TRL1215	G1/2"	15	29,0	14,0	14,0	27	27	315	116,0
3720TRL3415	G3/4"	15	32,5	15,0	16,0	32	27	315	161,0
3720TRS3816	G3/8"	16	36,0	18,0	12,0	27	30	400	104,0
3720TRS1216	G1/2"	16	37,0	18,5	14,0	27	30	400	122,0
3720TRS3416	G3/4"	16	39,0	20,5	16,0	32	30	400	167,0



## 3730

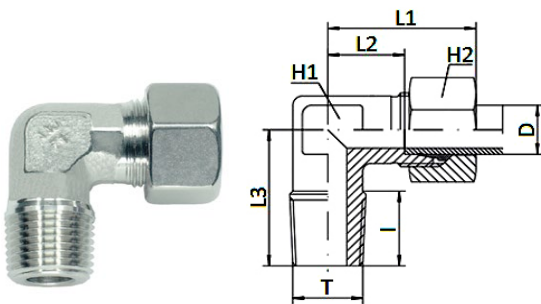
## Female connector BSPP thread



CODE	T	ØD	L1	L2	I	H1	H2	BAR	GR.
3730TRL186	G1/8"	6	36,0	19,0	12,0	14	14	315	29,0
3730TRS146	G1/4"	6	42,0	26,0	17,0	19	17	630	37,0
3730TRL148	G1/4"	8	41,0	24,0	17,0	19	17	315	55,0
3730TRL388	G3/8"	8	42,0	25,0	17,0	24	17	315	77,0
3730TRL128	G1/2"	8	46,0	32,0	20,0	27	17	315	96,0
3730TRL1410	G1/4"	10	42,0	25,0	17,0	19	19	315	60,0
3730TRL3810	G3/8"	10	43,0	26,0	17,0	24	19	315	83,0
3730TRL1210	G1/2"	10	47,0	30,0	20,0	27	19	315	100,0
3730TRL3812	G3/8"	12	43,0	26,0	17,0	24	22	315	91,0
3730TRL1212	G1/2"	12	48,0	30,0	20,0	27	22	315	106,0
3730TRL1215	G1/2"	15	49,0	31,0	20,0	27	27	315	131,0
3730TRS1216	G1/2"	16	53,0	31,5	20,0	27	30	400	149,0

## 3740

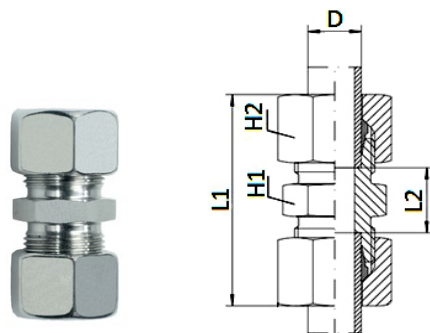
## Male elbow BSPT thread



CODE	T	ØD	L1	L2	L3	I	H1	H2	BAR	GR.
3740TRLL184	R1/8"	4	21,0	11,0	17,0	8,0	9,0	10,0	100	35,0
3740TRL186	R1/8"	6	27,0	12,0	20,0	8,0	12,0	14,0	315	40,0
3740TRS146	R1/4"	6	31,0	16,5	26,0	12,0	12,0	17,0	630	46,0
3740TRLL188	R1/8"	8	23,0	11,5	20,0	8,0	12,0	14,0	100	48,0
3740TRL148	R1/4"	8	29,0	14,0	26,0	12,0	12,0	17,0	315	63,0
3740TRL1410	R1/4"	10	30,0	15,0	27,0	12,0	14,0	19,0	315	81,0
3740TRS3810	R3/8"	10	34,0	17,5	28,0	12,0	17,0	22,0	630	115,0
3740TRL3812	R3/8"	12	32,0	17,5	28,0	12,0	17,0	22,0	315	133,0
3740TRL1215	R1/2"	15	36,0	21,0	34,0	14,0	19,0	27,0	315	139,0
3740TRS1216	R1/2"	16	43,0	24,5	32,0	14,0	24,0	30,0	400	145,0

## 3780

## Union connector

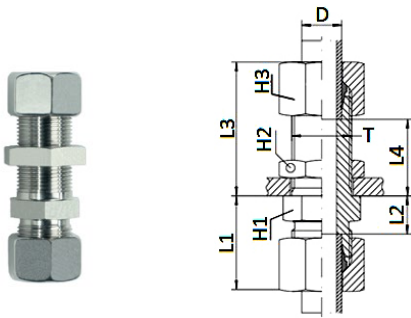


CODE	ØD	L1	L2	H1	H2	BAR	GR.
3780TRLL4	4	35,0	12,0	9,0	10,0	100	28,0
3780TRL6	6	44,0	10,0	12,0	14,0	500	34,0
3780TRL8	8	45,0	11,0	14,0	17,0	500	49,0
3780TRL10	10	48,0	13,0	17,0	19,0	500	62,0
3780TRL12	12	49,0	14,0	19,0	22,0	400	83,0
3780TRL15	15	54,0	16,0	24,0	27,0	400	137,0
3780TRS16	16	65,0	21,0	27,0	30,0	630	151,0



3790

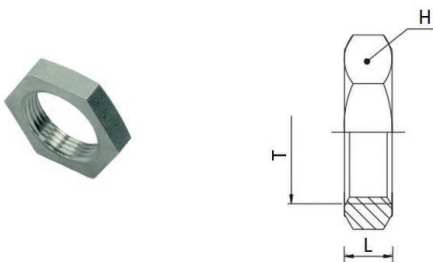
Bulkhead connector



CODE	ØD	T	L1	L2	L3	L4	H1	H2	H3	BAR	GR.
3790TRL6	6	M12X1,5	22,0	7,0	42,0	27,0	17,0	14,0	17,0	500	60,0
3790TRL8	8	M14X1,5	23,0	8,0	42,0	27,0	19,0	17,0	19,0	500	82,0
3790TRL10	10	M16X1,5	25,0	10,0	43,0	28,0	22,0	19,0	22,0	500	106,0
3790TRL12	12	M18X1,5	25,0	10,0	44,0	29,0	24,0	22,0	24,0	400	133,0
3790TRL15	15	M22X1,5	27,0	12,0	46,0	31,0	27,0	27,0	30,0	400	216,0

1476

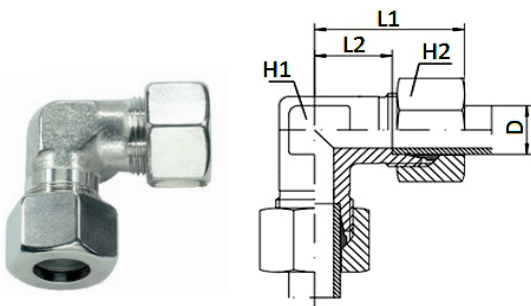
Locknuts for bulkhead



CODE	T	L	H
1476TRHM1215	M12X1,5	6	17
1476TRHM1415	M14X1,5	6	19
1476TRHM1615	M16X1,5	6	22
1476TRHM1815	M18X1,5	6	24
1476TRHM2215	M22X1,5	7	30

3800

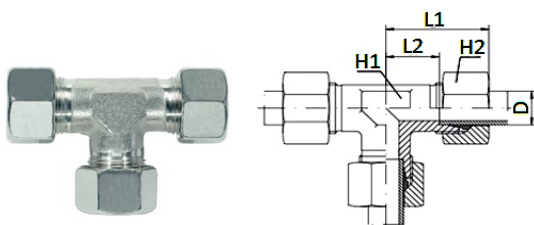
Union elbow connector



CODE	ØD	L1	L2	H1	H2	BAR	GR.
3800TRLL4	4	21,0	11,0	9,0	10,0	100	44,0
3800TRL6	6	27,0	12,0	12,0	14,0	500	51,0
3800TRL8	8	29,0	14,0	12,0	17,0	500	75,0
3800TRL10	10	30,0	15,0	14,0	19,0	500	98,0
3800TRL12	12	32,0	17,0	17,0	22,0	400	134,0
3800TRL15	15	36,0	21,0	19,0	27,0	400	230,0
3800TRS16	16	43,0	24,5	24,0	30,0	630	246,0

3810

Union tee connector

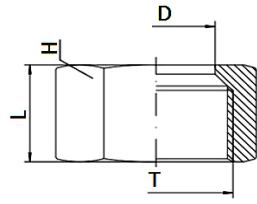


CODE	ØD	L1	L2	H1	H2	BAR	GR.
3810TRLL4	4	21,0	11,0	9,0	10,0	100	62,0
3810TRL6	6	27,0	12,0	12,0	14,0	500	71,0
3810TRL8	8	29,0	14,0	12,0	17,0	500	101,0
3810TRL10	10	30,0	15,0	14,0	19,0	500	128,0
3810TRL12	12	32,0	17,0	17,0	22,0	400	170,0
3810TRL15	15	36,0	21,0	19,0	27,0	400	230,0
3810TRS16	16	43,0	24,4	24,0	30,0	630	261,0



3830

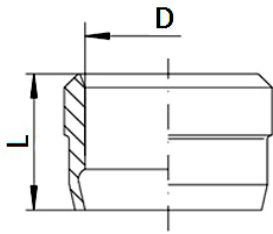
Nut



CODE	ØD	T	L	H	GR.
3830TRLL4	4	M8X1,0	11,0	10,0	6,0
3830TRL6	6	M12X1,5	14,5	14,0	9,0
3830TRL8	8	M14X1,5	14,5	17,0	14,0
3830TRL10	10	M16X1,5	15,5	19,0	17,0
3830TRL12	12	M18X1,5	15,5	22,0	24,0
3830TRL15	15	M22X1,5	17,0	27,0	40,0
3830TRS16	16	M24X1,5	20,5	30,0	48,0

3840

Ogive



CODE	ØD	L	GR.
3840TRLL4	4	6,0	2,0
3840TRL6	6	9,0	2,0
3840TRL8	8	9,0	2,0
3840TRL10	10	9,5	3,0
3840TRL12	12	10,0	3,0
3840TRL15	15	10,0	4,0
3840TRS16	16	10,0	5,0



