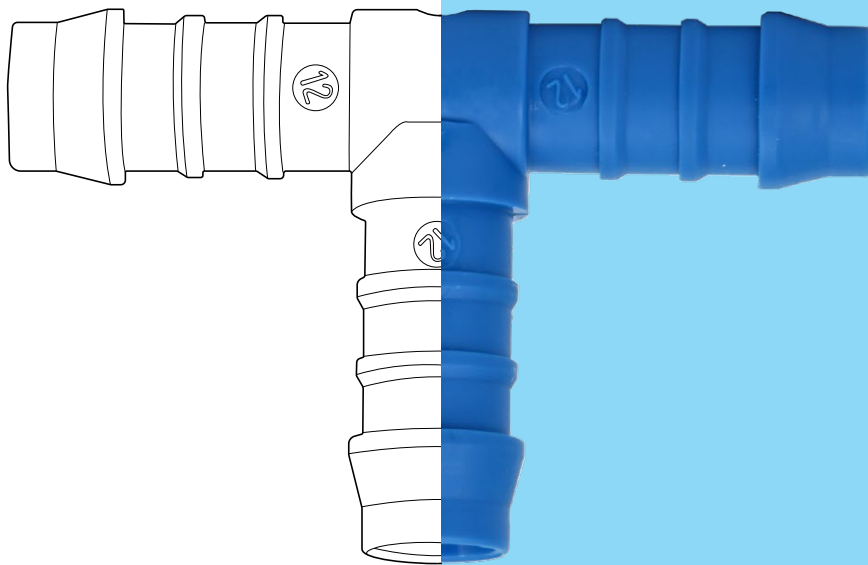


BARB CONNECTORS





P. 245 /
POLYPROPYLENE
BARB CONNECTORS



P. 251 /
BRASS BARB CONNECTORS



P. 257 /
HDPE BARB CONNECTORS



P. 261 /
NYLON BARB CONNECTORS



P. 275 /
PVDF BARB CONNECTORS



P. 285 /
BARB CONNECTOR INOX AISI 316



P. 287 /
CLAMPS

TECHNICAL INDEX



BARB CONNECTORS

POLYPROPYLENE

PLUS

SUITABLE FOR AIR AND WATER

GOOD CHEMICAL RESISTANCE

**ACCESSORIES FOR HIGHER GRIPPING
AND SAFETY AVAILABLE**





p. 248 / **5510**



p. 248 / **5520**



p. 248 / **5530**



p. 249 / **5540**



p. 249 / **5545**



p. 249 / **5550**



p. 249 / **5555**



p. 250 / **5560**

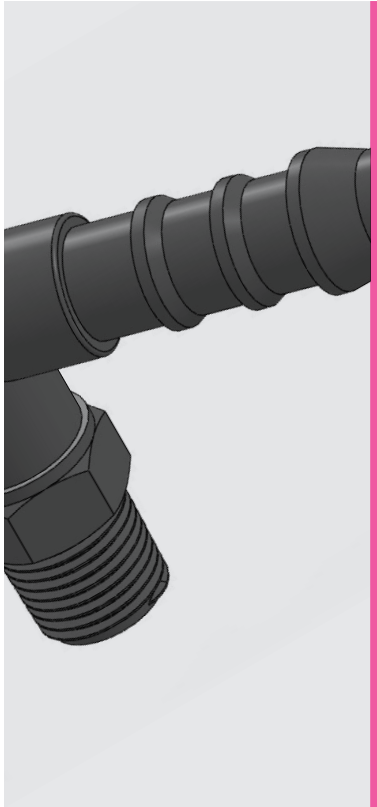


p. 250 / **5570**



p. 250 / **5580**





+4°C ÷ +90°C
Subject to applications



Up to 14 Bar at 20°C



Compressed air, water and fluids suitable with construction materials



Taper gas BSPT ISO 7 from R1/8" to R1"
Parallel gas BSPP ISO 228 from G1/8" to G1"



To be used only for connecting LDPE Agricultural tubes Class 2.5 and Class 4 and other flexible tubes



Polypropylene

FEATURES

Good resistance to chemicals

PRECAUTIONS

- The products are made in plastic and it's necessary to use teflon tape over the thread for installation in order and to prevent air leakage. Be sure to prevent excessive torque when screwing the fittings.
- To connect the tube, insert the tube to the end and tight the cap before use.
- Cut the pressed part of the tube before connection to reuse the released tube



Products in compliance with the directive 2002/95/EC

RoHS2

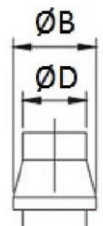
Products in compliance with the directive 2011/65/EU

DIAMETER OF THE BARB

O.D. EXTERNAL TUBE	Ø12	Ø16	Ø20	Ø25
ØB - barb	11.9 mm	15.8 mm	19.0 mm	23.0 mm

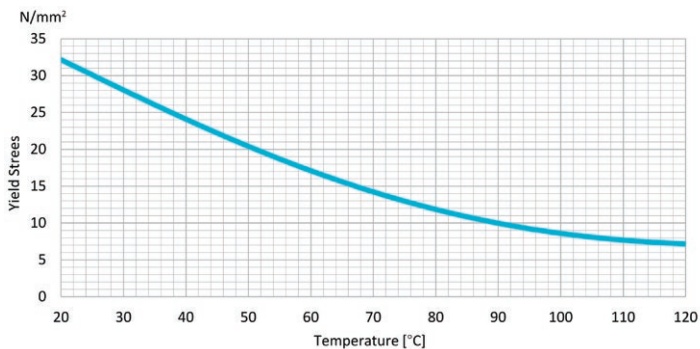


I.D. INTERNAL TUBE	Ø6	Ø8	Ø10	Ø12	Ø14	Ø16	Ø19
ØB - barb	8.1	10.2	12.4	13.9	15.9	18.1	21.0
ØD	6.1	8.1	10.1	11.9	13.8	15.9	18.8



Only for code 5570

YIELD STRESS OF PP AS A FUNCTION OF TEMPERATURE



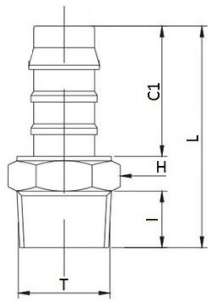
RECOMMENDED TIGHTENING TORQUE

THREAD SIZE	NM	FT LB
1/8	0,01	0,01
1/4	0,3	0,2
3/8	1	1
1/2	2	2
3/4	5	4
1	8	6



5510

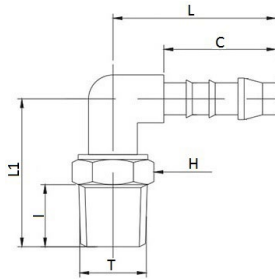
Male barb connector BSPT thread



CODE	T	OD	I	C1	L	H	GR.
5510TR1812	R1/8"	12	7,5	30,0	44,0	14	2,0
5510TR1412	R1/4"	12	11,0	30,0	47,5	14	3,0
5510TR3812	R3/8"	12	10,5	30,0	47,5	17	3,0
5510TR1212	R1/2"	12	13,0	30,0	50,5	22	3,5
5510TR3412	R3/4"	12	13,0	30,0	51,5	27	4,0
5510TR1416	R1/4"	16	10,5	31,0	47,5	22	3,5
5510TR1216	R1/2"	16	13,0	30,0	50,5	22	5,0
5510TR3416	R3/4"	16	13,0	28,0	49,0	27	4,5
5510TR1220	R1/2"	20	13,0	32,5	57,0	22	5,0
5510TR3420	R3/4"	20	13,0	32,5	54,0	27	7,0
5510TR120	R1"	20	18,0	32,5	59,5	29	18,0
5510TR1225	R1/2"	25	13,0	32,5	53,0	22	6,0
5510TR3425	R3/4"	25	13,0	32,5	54,0	27	8,0
5510TR125	R1"	25	17,0	32,5	59,0	29	14,0

5520

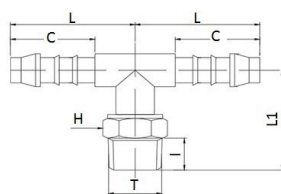
Male elbow barb connector BSPT thread



CODE	T	OD	I	C	L	L1	H	GR.
5520TR1412	R1/4"	12	11,0	30,0	41,0	32,0	14	3,0
5520TR3812	R3/8"	12	11,0	30,0	41,0	32,0	14	4,0
5520TR1212	R1/2"	12	13,0	30,0	41,0	32,0	22	4,5
5520TR3412	R3/4"	12	13,0	30,0	41,0	36,0	27	5,5
5520TR3816	R3/8"	16	11,0	30,0	45,0	28,0	22	6,0
5520TR1216	R1/2"	16	13,0	30,0	43,0	32,0	22	7,0
5520TR3416	R3/4"	16	13,0	30,0	45,0	34,0	27	8,5
5520TR1220	R1/2"	20	13,0	32,5	48,0	35,0	22	10,0
5520TR3420	R3/4"	20	13,0	32,5	48,0	37,0	27	11,0
5520TR1225	R1/2"	25	13,0	32,5	46,0	37,0	27	12,0
5520TR3425	R3/4"	25	13,0	32,5	46,0	38,0	27	13,0

5530

Male tee barb connector BSPT thread

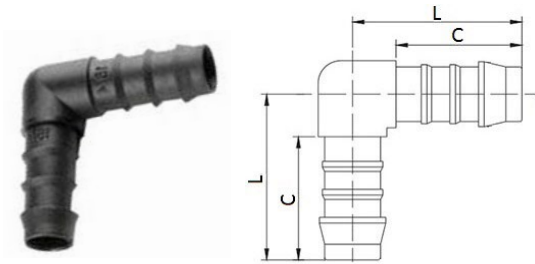


CODE	T	OD	I	C	L	L1	H	GR.
5530TR1412	R1/4"	12	11,0	30,0	41,0	28,0	14	3,0
5530TR3812	R3/8"	12	11,0	30,0	41,0	28,0	22	3,5
5530TR1212	R1/2"	12	13,0	30,0	41,0	32,0	22	5,0
5530TR3412	R3/4"	12	14,0	30,0	41,0	33,0	27	6,0
5530TR3816	R3/8"	16	11,0	30,0	45,0	28,0	17	5,5
5530TR1216	R1/2"	16	13,0	30,0	45,0	33,0	22	7,5
5530TR3416	R3/4"	16	14,0	30,0	45,0	34,0	27	8,5
5530TR1220	R1/2"	20	13,0	32,5	48,0	37,0	22	12,0
5530TR3420	R3/4"	20	14,0	32,5	48,0	38,0	27	14,5
5530TR1225	R1/2"	25	13,0	32,5	45,0	37,0	22	16,5
5530TR3425	R3/4"	25	14,0	32,5	45,0	38,0	27	19,0



5540

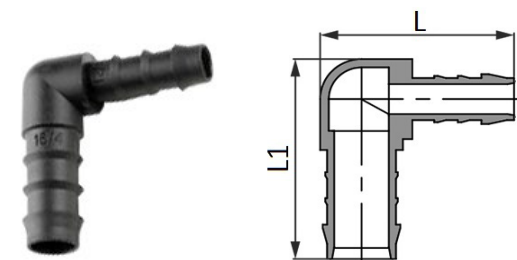
Union elbow barb connector



CODE	OD	C	L	GR.
5540TR12	12	30,0	41,0	3,0
5540TR16	16	30,0	44,0	5,0
5540TR20	20	32,5	47,5	7,5
5540TR25	25	32,5	45,0	11,0

5545

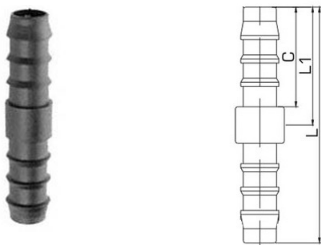
Reducer union elbow barb connector



CODE	OD1	OD2	L	L1	GR.
5545TR1612	16	12	56,2	52,2	4,6
5545TR2012	20	12	56,6	55,5	7,94
5545TR2016	20	16	55,2	56,4	8,7
5545TR2520	25	20	58,4	57,4	10,2

5550

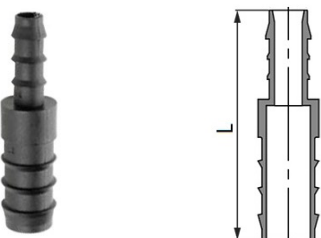
Union barb connector



CODE	OD	C	L1	L	GR.
5550TR12	12	30,0	34,5	69,0	3,0
5550TR16	16	30,0	36,0	72,0	4,0
5550TR20	20	32,5	38,5	77,0	5,0
5550TR25	25	32,5	38,5	77,0	8,0

5555

Reducer union barb connector

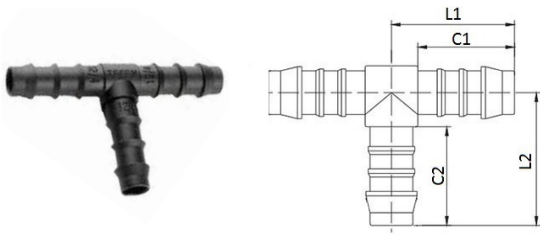


CODE	OD1	OD2	L	GR.
5555TR1612	16	12	71,5	3,7
5555TR2012	20	12	72,6	5,45
5555TR2016	20	16	75,6	5,6
5555TR2520	25	20	76,8	7,3



5560

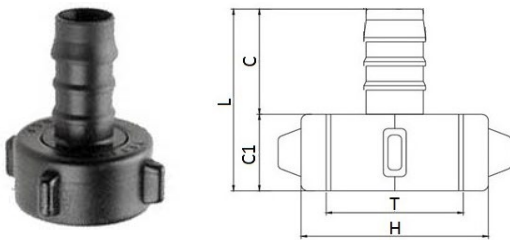
Union tee barb connector



CODE	OD	C1	L1	C2	L2	GR.
5560TR12	12	30,0	36,0	30,0	38,0	3,0
5560TR16	16	30,0	38,0	30,0	40,0	5,0
5560TR20	20	32,5	42,5	32,5	45,0	9,0
5560TR25	25	32,5	45,0	32,5	47,0	13,0

5570

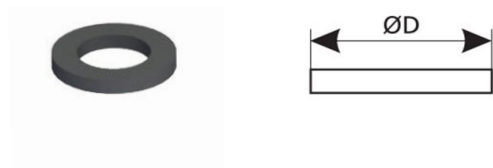
Female swivel barb connector with rubber seal



CODE	T	I.D.	C1	C	L	H	GR.
5570TR346	G3/4"	6	17,0	21,0	38,0	32	8,0
5570TR348	G3/4"	8	14,5	25,0	42,0	32	8,5
5570TR18	G1"	8	14,5	25,0	42,0	38	10,0
5570TR3810	G3/8"	10	16,5	28,0	42,5	32	7,5
5570TR3410	G3/4"	10	16,5	27,0	43,5	32	9,0
5570TR1212	G1/2"	12	16,5	28,0	44,5	24	10,0
5570TR3412	G3/4"	12	16,5	28,0	44,5	32	9,0
5570TR112	G1"	12	16,5	27,0	43,5	38	11,0
5570TR3414	G3/4"	14	16,5	30,0	46,5	32	7,0
5570TR114	G1"	14	16,5	30,0	46,5	38	8,5
5570TR3416	G3/4"	16	16,5	30,0	46,5	32	8,0
5570TR116	G1"	16	16,5	30,0	46,5	38	10,0
5570TR3419	G3/4"	19	16,5	31,0	47,5	32	10,0
5570TR119	G1"	19	16,5	31,0	47,5	38	13,0

5580

Flat rubber seal for female thread



CODE	T	ØD	GR.
5580TR38	G3/8"	15,3	0,6
5580TR12	G1/2"	18,3	0,8
5580TR34	G3/4"	24,7	0,9
5580TR1	G1"	31,3	1,2



BARB CONNECTORS BRASS

PLUS

SUITABLE FOR AIR

**ACCESSORIES FOR HIGHER GRIPPING
AND SAFETY AVAILABLE**





p. 254 / **1165**



p. 254 / **1167**



p. 255 / **1169**



p. 255 / **1170**



p. 256 / **1171**

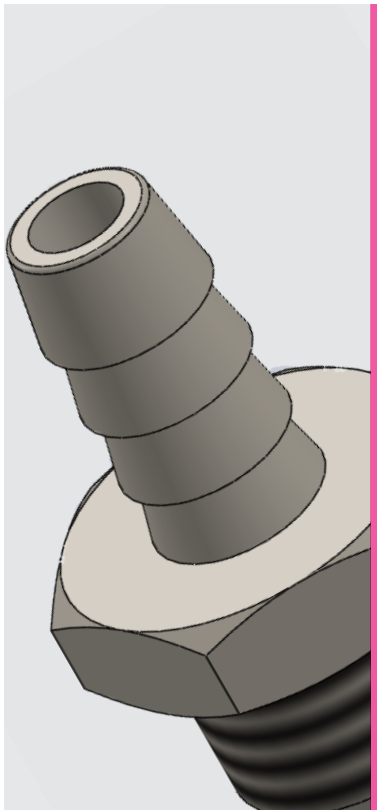


p. 256 / **1172**



p. 256 / **1173**





Temperature depends on the tube used, so their values will be defined according to the features of the tube itself.
 NBR -20°C ÷ +100°C
 VITON -15°C ÷ +200°C



Up to 60 Bar
 Pressure depends on the tube used, so their values will be defined according to the features of the tube itself.



Compressed air, water and fluids suitable with construction materials



Taper gas BSPT ISO 7 from R1/8" to R1"
 Parallel gas BSPP ISO 228 from G1/8" to G3/4"
 Metric M5 and M6



Body: nickel plated brass
 UNI EN 12164 CW 614N and
 UNI EN 12164 CW 617N

Lathed: nickel plated brass
 UNI EN 12164 CW 614N

Printed: nickel plated brass
 UNI EN 12164 CW 617N

O'ring: NBR or Viton

Available on demand and with minimum quantity in yellow brass



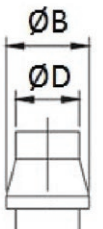
Products in compliance with the directive 2002/95/EC

RoHS2

Products in compliance with the directive 2011/65/EU

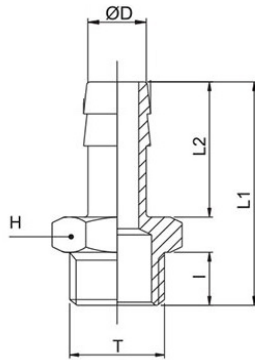
DIAMETER OF THE BARB

ØD	Ø 4,5 mm	Ø 6 mm	Ø 7 mm	Ø 8 mm	Ø 9 mm	Ø10 mm	Ø 12 mm	Ø 14 mm	Ø 17 mm	Ø 18 mm	Ø 20 mm
ØB (mm)	5,0 mm	6,15 mm	7,15 mm	8,15 mm	9,20 mm	10,20 mm	12,20 mm	14,25 mm	17,30 mm	18,50 mm	20,60 mm



1165

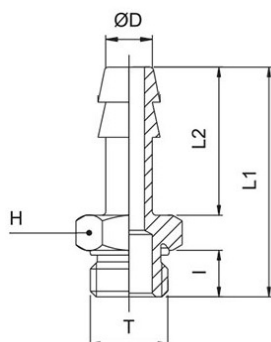
Male barb connector BSPP & metric thread



CODE	T	ØD	I	L1	L2	H	GR.
1165TRM545	M5	4,5	4,0	22,5	15,0	8	6,0
1165TRM56	M5	6	4,0	22,0	19,0	8	3,0
1165TRM66	M6	6	4,0	22,0	19,0	8	4,0
1165TR186	G1/8"	6	6,0	29,5	19,0	12	8,0
1165TR146	G1/4"	6	8,0	32,0	19,0	14	12,0
1165TRM57	M5	7	4,0	22,2	19,0	8	3,0
1165TRM67	M6	7	5,0	22,0	19,0	8	4,0
1165TR187	G1/8"	7	6,0	29,5	19,0	12	8,0
1165TR147	G1/4"	7	8,0	32,0	19,0	14	14,0
1165TR188	G1/8"	8	6,0	29,5	19,0	12	8,0
1165TR148	G1/4"	8	8,0	32,0	19,0	14	14,0
1165TR388	G3/8"	8	9,0	33,0	19,0	19	22,0
1165TR189	G1/8"	9	6,0	29,5	19,0	12	10,0
1165TR149	G1/4"	9	8,0	32,0	19,0	14	14,0
1165TR389	G3/8"	9	9,0	33,0	19,0	19	22,0
1165TR1810	G1/8"	10	6,0	30,5	20,0	12	10,0
1165TR1410	G1/4"	10	8,0	33,0	20,0	14	14,0
1165TR3810	G3/8"	10	9,0	34,0	20,0	19	23,0
1165TR1412	G1/4"	12	8,0	33,0	20,0	14	16,0
1165TR3812	G3/8"	12	9,0	34,0	20,0	19	24,0
1165TR1212	G1/2"	12	10,0	35,5	20,0	22	32,0
1165TR3814	G3/8"	14	9,0	36,0	22,0	19	26,0
1165TR1214	G1/2"	14	10,0	37,5	22,0	22	34,0
1165TR3817	G3/8"	17	9,0	38,0	24,0	19	30,0
1165TR1217	G1/2"	17	10,0	39,5	24,0	22	38,0
1165TR3418	G3/4"	18	11,0	41,5	24,0	30	58,0
1165TR1220	G1/2"	20	10,0	39,5	24,0	22	40,0
1165TR3420	G3/4"	20	11,0	41,5	24,0	30	60,0

1167

Male barb connector BSPP & metric thread with OR

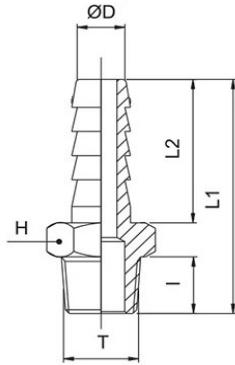


CODE	T	ØD	I	L1	L2	H	GR.
1167TRM545	M5	4,5	4,5	23,0	15,0	8	6,0
1167TR186	G1/8"	6	6,5	30,0	19,0	14	10,0
1167TR146	G1/4"	6	8,0	32,0	19,0	17	16,0
1167TR187	G1/8"	7	6,5	30,0	19,0	14	10,0
1167TR147	G1/4"	7	8,0	32,0	19,0	17	16,0
1167TR188	G1/8"	8	6,5	30,0	19,0	14	12,0
1167TR148	G1/4"	8	8,0	32,0	19,0	17	17,0
1167TR189	G1/8"	9	6,5	30,0	19,0	14	14,0
1167TR149	G1/4"	9	8,0	32,0	19,0	17	16,0
1167TR389	G3/8"	9	9,0	33,0	19,0	20	22,0
1167TR1412	G1/4"	12	8,0	33,0	20,0	17	18,0
1167TR3812	G3/8"	12	9,0	34,0	20,0	20	24,0
1167TR1212	G1/2"	12	10,0	35,5	20,0	24	35,0
1167TR3817	G3/8"	17	9,0	38,0	24,0	20	30,0
1167TR1217	G1/2"	17	10,0	39,5	24,0	24	42,0



1169

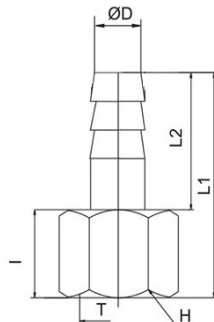
Male barb connector BSPT thread



CODE	T	ØD	I	L1	L2	H	GR.
1169TR186	R1/8"	6	8,0	31,5	19,0	12	8,0
1169TR146	R1/4"	6	11,0	35,0	19,0	14	14,0
1169TR187	R1/8"	7	8,0	31,5	19,0	12	10,0
1169TR147	R1/4"	7	11,0	35,0	19,0	14	14,0
1169TR188	R1/8"	8	8,0	31,5	19,0	12	10,0
1169TR148	R1/4"	8	11,0	35,0	19,0	14	14,0
1169TR189	R1/8"	9	8,0	31,5	19,0	12	12,0
1169TR149	R1/4"	9	11,0	35,0	19,0	14	16,0
1169TR389	R3/8"	9	11,5	35,5	19,0	17	20,0
1169TR129	R1/2"	9	14,0	38,5	19,0	22	32,0
1169TR1810	R1/8"	10	8,0	32,5	20,0	12	10,0
1169TR1410	R1/4"	10	11,0	36,0	20,0	14	16,0
1169TR3810	R3/8"	10	11,5	36,5	20,0	17	22,0
1169TR1210	R1/2"	10	14,0	39,5	20,0	22	32,0
1169TR1412	R1/4"	12	11,0	36,0	20,0	14	16,0
1169TR3812	R3/8"	12	11,5	36,5	20,0	17	22,0
1169TR1212	R1/2"	12	14,0	39,5	20,0	22	34,0
1169TR3814	R3/8"	14	11,5	38,5	22,0	17	24,0
1169TR1214	R1/2"	14	14,0	41,5	22,0	22	36,0
1169TR3816	R3/8"	16	11,5	38,5	22,0	17	26,0
1169TR1216	R1/2"	16	14,0	41,5	22,0	22	36,0
1169TR3416	R3/4"	16	16,5	45,0	22,0	27	58,0
1169TR3817	R3/8"	17	11,5	40,5	24,0	18	30,0
1169TR1217	R1/2"	17	14,0	43,5	24,0	22	40,0
1169TR3818	R3/8"	18	11,5	40,5	24,0	19	34,0
1169TR1218	R1/2"	18	14,0	43,5	24,0	22	44,0
1169TR3418	R3/4"	18	16,5	47,0	24,0	27	62,0
1169TR3820	R3/8"	20	11,5	41,0	24,0	22	40,0
1169TR1220	R1/2"	20	14,0	43,5	24,0	22	42,0
1169TR3420	R3/4"	20	16,5	46,5	24,0	27	60,0
1169TR3425	R3/4"	25	16,5	53,0	30,0	27	76,0
1169TR125	R1"	25	19,0	56,0	30,0	34	114,0

1170

Female barb connector BSPP thread

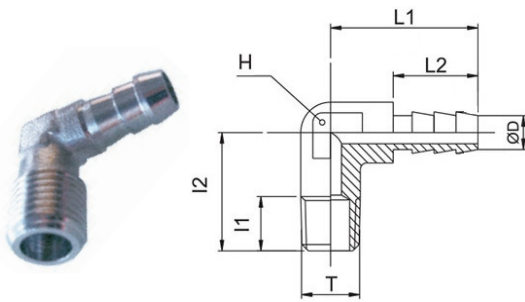


CODE	T	ØD	I	L1	L2	H	GR.
1170TR187	G1/8"	7	10,0	27,0	17,0	12	9,0
1170TR147	G1/4"	7	13,0	33,0	20,0	17	21,0
1170TR188	G1/8"	8	10,0	27,0	17,0	12	8,0
1170TR148	G1/4"	8	13,0	33,0	20,0	17	19,0
1170TR189	G1/8"	9	10,0	27,0	17,0	12	9,0
1170TR149	G1/4"	9	13,0	33,0	20,0	17	20,0
1170TR1412	G1/4"	12	13,0	33,0	20,0	17	22,0



1171

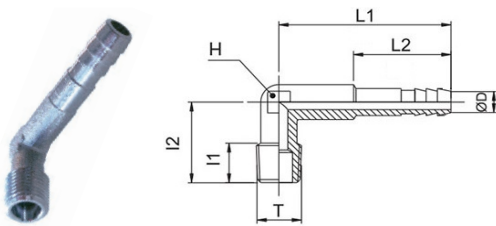
Male elbow barb connector BSPT thread



CODE	T	ØD	I1	I2	L1	L2	H	GR.
1171TR186185	R1/8"	6	8,0	18,5	22,5	14,0	8	10,0
1171TR18623	R1/8"	6	11,0	23,0	22,5	14,0	8	12,0
1171TR14623	R1/4"	6	11,0	23,0	23,0	14,0	9	16,0
1171TR187185	R1/8"	7	8,0	18,5	22,5	14,0	8	10,0
1171TR18723	R1/8"	7	11,0	23,0	22,5	14,0	8	10,0
1171TR14723	R1/4"	7	12,0	23,0	23,0	14,0	9	16,0

1172

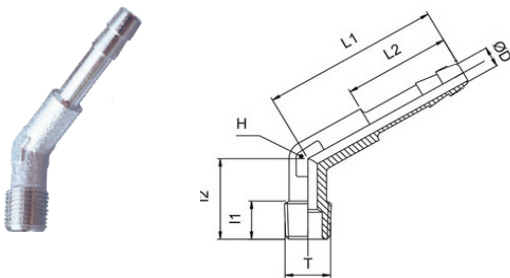
Long male elbow barb connector BSPT thread



CODE	T	ØD	I1	I2	L1	L2	H	GR.
1172TR186325	R1/8"	6	11,0	22,0	32,5	14,0	9	18,0
1172TR18638	R1/8"	6	8,0	18,5	38,0	22,0	8	14,0
1172TR146325	R1/4"	6	11,0	23,0	32,5	14,0	9	20,0
1172TR187325	R1/8"	7	11,0	22,0	32,5	14,0	9	16,0
1172TR18738	R1/8"	7	8,0	18,5	38,0	22,0	8	14,0
1172TR147325	R1/4"	7	8,0	23,0	32,5	14,0	9	20,0

1173

Long male elbow 120° barb connector BSPT thread



CODE	T	ØD	I1	I2	L1	L2	H	GR.
1173TR186	R1/8"	6	8,0	18,5	38,0	23,0	8	14,0
1173TR187	R1/8"	7	8,0	18,5	38,0	23,0	8	12,0



**BARB
CONNECTORS**
HDPE

PLUS

**ACCESSORIES FOR HIGHER GRIPPING
AND SAFETY AVAILABLE**

HIGH DENSITY POLYETHYLENE





p. 259 / **5030PE**



p. 260 / **5040PE**

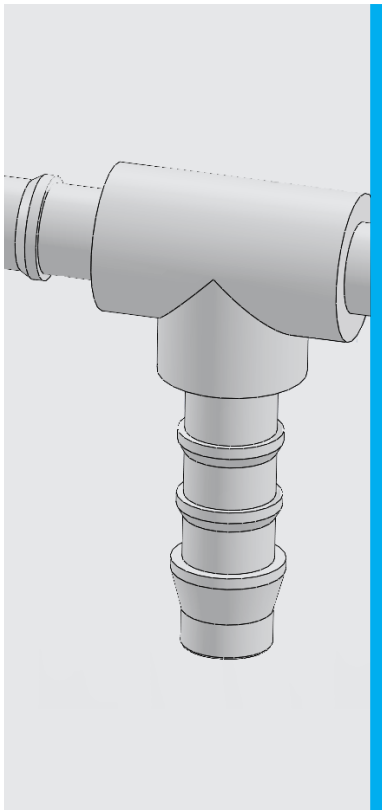


p. 260 / **5050PE**



p. 260 / **5060PE**





0°C ÷ +70°C
subject to application



up to 14 Bar at 20°C
depending from the used tube



Compressed air, water and fluids
suitable with construction materials



Polyurethane, silicon and soft PVC



High density polyethylene (HDPE)

FEATURES

Suitable for food.



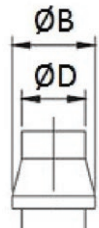
Products in compliance with
the directive 2002/95/EC

RoHS2

Products in compliance with
the directive 2011/65/EU

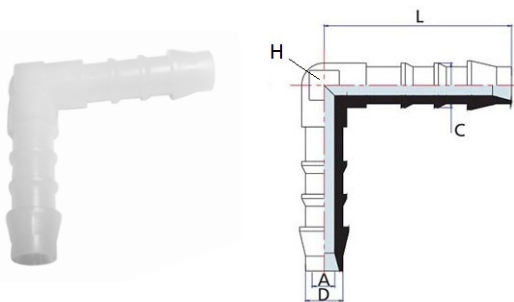
DIAMETER OF THE BARB

ØD	Ø 4 mm	Ø 6 mm	Ø 8 mm
ØB (mm)	5,2 mm	8,0 mm	10,0 mm



5030PE

Union elbow barb connector

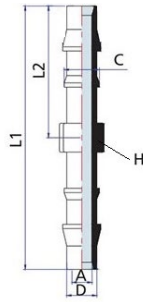


CODE	ØD	ØA	ØB	ØC	L	H	GR.
5030PE4	4 - 5/32"	2,8	5,2	4,8	22,0	6,3	0,5
5030PE6	6 - 1/4"	4,0	8,0	7,5	31,2	7,8	1,4
5030PE8	8 - 5/16"	5,7	10,0	9,2	36,0	10,3	2,4



5040PE

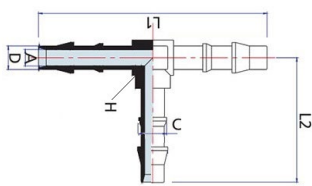
Union barb connector



CODE	ØD	ØA	ØB	ØC	L1	L2	H	GR.
5040PE4	4 - 5/32"	2,8	5,2	4,8	36	18	6,0	0,4
5040PE6	6 - 1/4"	4,0	8,0	7,5	53,6	26,8	6,0	1
5040PE8	8 - 5/16"	5,7	10,0	9,2	59,0	29,5	10,0	1,7

5050PE

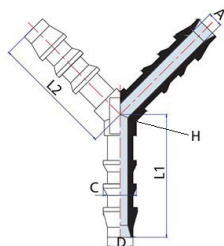
Union tee barb connector



CODE	ØD	ØA	ØB	ØC	L1	L2	H	GR.
5050PE4	4 - 5/32"	2,8	5,2	4,8	39,0	21,2	6,3	0,7
5050PE6	6 - 1/4"	4,0	8,0	7,5	56,4	31,0	7,8	1,8
5050PE8	8 - 5/16"	5,7	10,0	9,2	61,5	33,0	10,3	2,7

5060PE

Y barb connector



CODE	ØD	ØA	ØB	ØC	L1	L2	H	GR.
5060PE4	4 - 5/32"	2,8	5,2	4,8	20,0	20,0	6,3	0,6
5060PE6	6 - 1/4"	4,0	8,0	7,5	29,0	29,0	7,8	1,8
5060PE8	8 - 5/16"	5,7	10,0	9,2	31,2	31,2	10,3	2,7



BARB CONNECTORS NYLON

PLUS

EASY CONNECTION

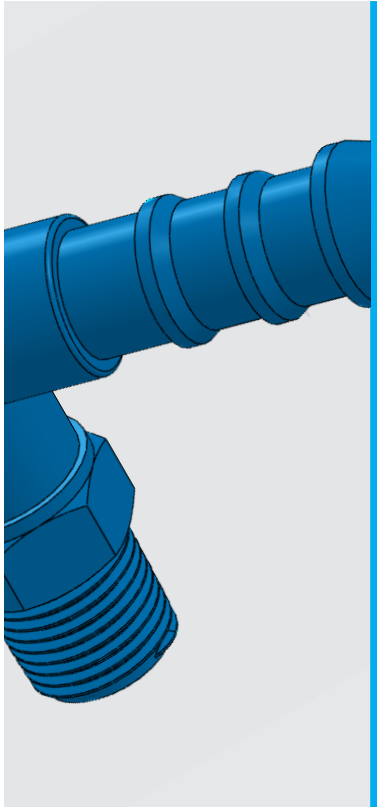
SUITABLE FOR FOOD

**ACCESSORIES FOR HIGHER GRIPPING
AND SAFETY AVAILABLE**

**STRONG AND DURABLE HIGH IMPACT
RESISTANT**







-20°C ÷ +110°C
subject to applications



up to 14 Bar at 20°C
depending from the used tube



Compressed air, water and food
fluids suitable with construction
materials



Taper gas BSPT ISO 7
from R1/8" to R1"
NPT from N1/8" to N3/4"



Plastic, silicon, rubber
or soft PVC tubes



Nylon 66

FEATURES

- The products are made in plastic and it's necessary to use teflon tape over the thread for installation in order and to prevent air leakage. Be sure to prevent excessive torque when screwing the fittings.



REACH Products in compliance with the directive 2002/95/EC

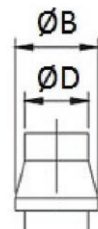
RoHS2

Products in compliance with the directive 2011/65/EU



DIAMETER OF THE BARB

ØD	Ø 4 mm	Ø 5 mm	Ø 6 mm	Ø 8mm	Ø 10 mm	Ø 12 mm	Ø 14 mm	Ø 16 mm	Ø 19 mm
ØB (mm)	5,2 mm	6,3 mm	8,0 mm	10,0 mm	12,0 mm	14,0 mm	16,2 mm	18,2 mm	21,0 mm
ØD	Ø 5/32"	3/16"	1/4"	5/16"	3/8"	1/2"	5/8"	3/4"	
ØB (mm)	5,3 mm	6,3 mm	8,0 mm	9,8 mm	12,0 mm	13,8 mm	17,5 mm	21,0 mm	



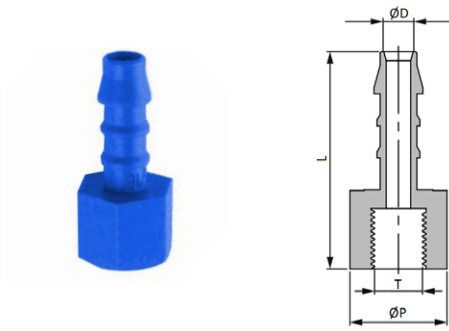
RECOMMENDED TIGHTENING TORQUE

THREAD SIZE	NM	FT LB
1/8	0,1	0,07
1/4	0,8	0,6
3/8	4	3
1/2	6	4
3/4	8	6
1	10	7



5005

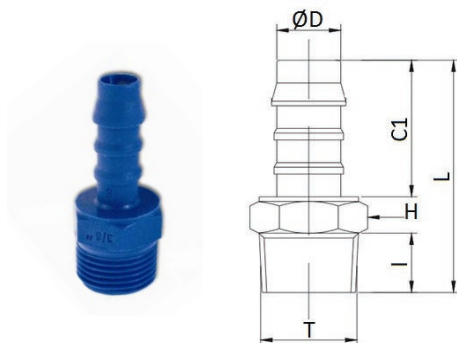
Female barb connector BSPT thread



CODE	T	ØD	ØP	L	GR.
5005TR185	R1/8"	5	14	34,4	2,0
5005TR145	R1/4"	5	17	35,2	2,7
5005TR385	R3/8"	5	22	36,5	4,57
5005TR125	R1/2"	5	26	38,7	6,6
5005TR186	R1/8"	6	14	36,3	2,15
5005TR146	R1/4"	6	17	37,2	2,9
5005TR386	R3/8"	6	22	38,3	4,8
5005TR126	R1/2"	6	26	40,8	7,0
5005TR188	R1/8"	8	14	39,4	2,5
5005TR388	R3/8"	8	22	40,4	5,0
5005TR128	R1/2"	8	26	42,7	7,1
5005TR1410	R1/4"	10	17	41,5	3,6
5005TR3810	R3/8"	10	22	42,3	5,4
5005TR1210	R1/2"	10	26	45,0	7,5
5005TR1412	R1/4"	12	17	42,4	4,1
5005TR3812	R3/8"	12	22	43,3	6,2
5005TR1212	R1/2"	12	26	46,0	8,0
5005TR3814	R3/8"	14	22	45,0	6,9
5005TR1214	R1/2"	14	26	47,3	8,7
5005TR1216	R1/2"	16	26	48,1	9,0
5005TR1219	R1/2"	19	26	48,8	9,5

5010

Male barb connector BSPT thread

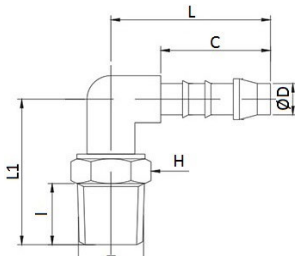


CODE	T	ØD	I	C1	L	H	GR.
5010TR184	R1/8"	4	8,0	16,0	30,5	11	1,0
5010TR144	R1/4"	4	10,0	16,0	33,5	14	1,2
5010TR185	R1/8"	5	8,0	21,0	35,5	11	1,0
5010TR145	R1/4"	5	10,0	21,0	38,5	14	1,0
5010TR125	R1/2"	5	10,0	21,0	41,4	22	1,0
5010TR186	R1/8"	6	8,0	23,0	37,5	11	1,0
5010TR146	R1/4"	6	10,0	23,0	40,5	14	2,0
5010TR386	R3/8"	6	10,0	23,0	40,5	17	3,0
5010TR126	R1/2"	6	12,5	23,0	44,0	22	6,0
5010TR346	R3/4"	6	14,5	23,0	46,0	22	8,2
5010TR188	R1/8"	8	8,0	25,0	39,5	11	2,0
5010TR148	R1/4"	8	10,0	25,0	42,5	14	2,0
5010TR388	R3/8"	8	10,0	25,0	42,5	17	3,0
5010TR128	R1/2"	8	12,5	25,0	46,0	22	6,0
5010TR348	R3/4"	8	12,5	25,0	47,1	27	6,0
5010TR1410	R1/4"	10	10,0	27,0	44,0	14	1,0
5010TR3810	R3/8"	10	10,0	27,0	44,0	17	4,0
5010TR1210	R1/2"	10	12,5	27,0	48,0	22	6,0
5010TR3410	R3/4"	10	14,5	27,0	50,0	27	9,1
5010TR1412	R1/4"	12	10,0	28,0	45,0	14	4,0
5010TR3812	R3/4"	12	10,0	28,0	45,0	17	4,0
5010TR1212	R1/2"	12	12,5	28,0	49,0	22	7,0
5010TR3412	R3/4"	12	14,5	28,0	51,0	27	9,2
5010TR3814	R3/8"	14	10,0	29,5	47,0	17	6,0
5010TR1214	R1/2"	14	12,5	29,5	50,5	22	7,0
5010TR3414	R3/4"	14	14,5	29,5	52,5	27	9,8
5010TR1216	R1/2"	16	12,5	30,0	51,0	22	8,0
5010TR3416	R3/4"	16	14,5	30,0	53,0	27	10,0
5010TR1219	R1/2"	19	12,5	31,0	52,0	22	9,0
5010TR3419	R3/4"	19	14,5	31,0	54,0	27	15,0
5010TR119	R1"	19	21,0	31,0	62,0	27	18,8



5020

Male elbow barb connector BSPT thread

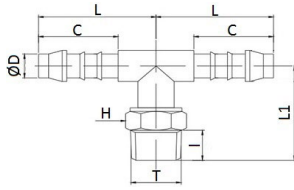


CODE	T	ØD	I	C	L	L1	H	GR.
5020TR184	R1/8"	4	8,0	16,0	22,5	21,0	11	1,0
5020TR144	R1/4"	4	10,0	16,0	22,5	24,0	14	1,0
5020TR185	R1/8"	5	8,0	21,0	28,0	24,0	11	1,0
5020TR145	R1/4"	5	10,0	21,0	28,0	26,0	14	3,0
5020TR125	R1/2"	5	13,0	21,0	28,0	30,0	22	6,0
5020TR186	R1/8"	6	8,5	23,5	31,5	23,5	11	1,0
5020TR146	R1/4"	6	10,0	23,0	31,0	26,0	14	3,0
5020TR386	R3/8"	6	10,5	23,0	31,0	26,0	17	3,0
5020TR126	R1/2"	6	13,0	23,5	31,5	30,0	22	7,0
5020TR188	R1/8"	8	8,0	25,0	36,0	26,0	11	3,0
5020TR148	R1/4"	8	10,0	25,0	36,0	28,0	14	3,0
5020TR388	R3/8"	8	10,5	25,0	36,0	28,0	17	5,0
5020TR128	R1/2"	8	13,0	25,0	36,0	30,5	22	7,0
5020TR1410	R1/4"	10	10,0	27,0	39,0	28,0	14	4,0
5020TR3810	R3/8"	10	10,5	27,0	39,0	28,0	17	6,0
5020TR1210	R1/2"	10	13,0	27,0	39,0	30,5	22	8,0
5020TR3410	R3/4"	10	14,5	27,0	39,0	33,5	27	9,9
5020TR1412	R1/4"	12	10,0	28,0	41,0	28,0	14	7,0
5020TR3812	R3/8"	12	10,5	28,0	41,0	28,0	17	8,0
5020TR1212	R1/2"	12	13,0	28,0	41,0	32,0	22	9,0
5020TR3412	R3/4"	12	14,5	28,0	41,0	34,0	27	12,0
5020TR3814	R3/8"	14	10,5	29,5	42,5	31,5	17	9,0
5020TR1214	R1/2"	14	13,0	29,5	42,5	34,0	22	11,0
5020TR3414	R3/4"	14	14,5	29,5	42,5	37,5	27	14,4
5020TR1216	R1/2"	16	12,5	30,0	44,0	36,0	22	13,0
5020TR3416	R3/4"	16	14,5	30,0	44,0	39,0	27	14,0
5020TR1219	R1/2"	19	12,5	31,0	45,0	36,0	22	15,0
5020TR3419	R3/4"	19	15,0	31,0	45,0	38,0	27	16,6



5025

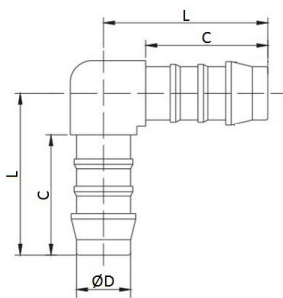
Male tee barb connector BSPT thread



CODE	T	ØD	I	C	L	L1	H	GR.
5025TR184	R1/8"	4	8,0	16,0	19,5	18,5	11	1,0
5025TR144	R1/4"	4	10,5	16,0	19,5	21,5	14	2,5
5025TR185	R1/8"	5	8,0	21,0	25,0	19,5	11	1,0
5025TR145	R1/4"	5	10,5	21,0	25,0	22,5	14	3,0
5025TR186	R1/8"	6	8,5	23,5	31,5	23,5	11	1,0
5025TR146	R1/4"	6	10,5	23,0	27,5	23,0	14	3,0
5025TR386	R3/8"	6	13,0	23,0	27,5	23,0	17	4,1
5025TR126	R1/2"	6	12,5	23,0	27,5	27,0	22	7,1
5025TR188	R1/8"	8	8,0	25,0	30,5	21,5	11	3,0
5025TR148	R1/4"	8	10,5	25,0	30,5	24,5	14	5,0
5025TR388	R3/8"	8	10,5	25,0	30,5	24,5	17	6,0
5025TR128	R1/2"	8	13,0	25,0	30,5	28,5	22	7,5
5025TR1410	R1/4"	10	10,0	27,0	39,0	28,0	14	6,4
5025TR3810	R3/8"	10	10,5	27,0	39,0	28,0	17	7,3
5025TR1210	R1/2"	10	12,5	27,0	39,0	30,5	22	9,6
5025TR3410	R3/4"	10	13,0	27,0	39,0	31,5	27	11,8
5025TR1412	R1/4"	12	10,0	28,0	41,0	28,0	14	15,0
5025TR3812	R3/8"	12	10,5	28,0	41,0	28,0	17	9,0
5025TR1212	R1/2"	12	13,0	28,0	41,0	31,5	22	12,6
5025TR3412	R3/4"	12	13,0	28,0	41,0	31,5	27	14,3
5025TR3814	R3/8"	14	10,5	29,5	42,5	31,5	17	12,8
5025TR1214	R1/2"	14	12,5	29,5	42,5	34,0	22	15,0
5025TR3414	R3/4"	14	13,0	30,0	42,5	35,0	27	17,9
5025TR1216	R1/2"	16	12,5	30,0	44,0	36,0	22	15,0
5025TR3416	R3/4"	16	13,5	30,0	44,0	37,0	27	18,6
5025TR1219	R1/2"	19	12,5	31,0	45,0	36,0	22	19,6
5025TR3419	R3/4"	19	13,5	31,0	45,0	36,0	27	21,6

5030

Union elbow barb connector

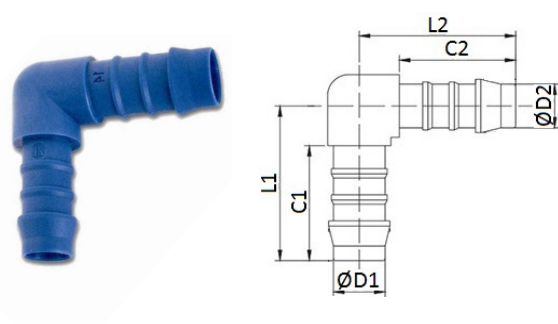


CODE	ØD	C	L	GR.
5030TR4	4	16,0	23,0	1,0
5030TR5	5	21,0	28,5	1,2
5030TR6	6	23,0	31,5	1,5
5030TR8	8	25,0	36,5	3,0
5030TR10	10	27,0	39,0	4,0
5030TR12	12	28,0	40,0	7,0
5030TR14	14	29,5	42,5	9,0
5030TR16	16	30,0	44,0	11,0
5030TR19	19	31,0	45,0	13,0



5035

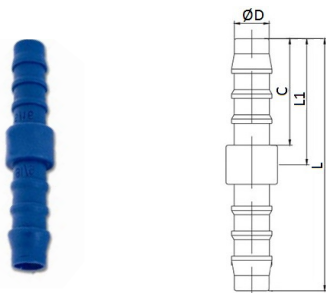
Reduced union elbow barb connector



CODE	ØD1	ØD2	C1	L1	C2	L2	GR.
5035TR54	5	4	21,0	28,5	16,0	23,0	1,0
5035TR64	6	4	21,0	35,5	16,0	29,0	1,0
5035TR65	6	5	23,0	31,5	21,0	28,5	1,5
5035TR86	8	6	25,0	36,5	23,0	31,5	2,0
5035TR106	10	6	27,0	39,0	23,0	31,5	3,8
5035TR108	10	8	27,0	39,0	25,0	36,5	4,0
5035TR1210	12	10	28,0	40,0	27,0	39,0	7,0
5035TR1412	14	12	29,5	42,5	28,0	40,0	9,0
5035TR1614	16	14	30,0	44,0	29,5	42,5	11,0
5035TR1916	19	16	31,0	45,0	30,0	44,0	14,0

5040

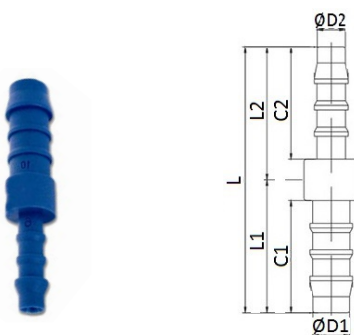
Union barb connector



CODE	ØD	C	L1	L	GR.
5040TR4	4	16,0	18,0	36,0	1,0
5040TR5	5	21,0	23,5	47,0	1,2
5040TR6	6	23,0	26,0	52,0	1,5
5040TR8	8	25,0	29,0	58,0	2,0
5040TR10	10	27,0	31,5	63,0	3,0
5040TR12	12	28,0	33,0	66,0	4,0
5040TR14	14	29,5	35,5	71,0	7,5
5040TR16	16	30,0	36,0	72,0	9,0
5040TR19	19	31,0	37,0	74,0	11,0

5045

Reduced union elbow barb connector

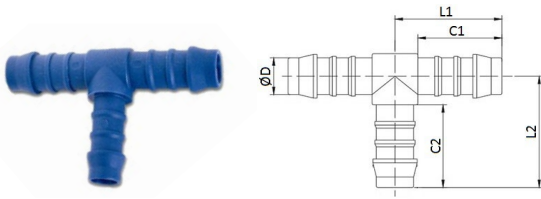


CODE	ØD1	ØD2	C1	L1	C2	L2	L	GR.
5045TR54	5	4	21,0	23,5	16,0	18,0	41,5	1,0
5045TR64	6	4	23,0	26,0	16,0	18,0	44,0	1,0
5045TR65	6	5	23,0	26,0	21,0	23,5	49,5	1,0
5045TR85	8	5	25,0	29,5	21,0	23,5	53,0	2,0
5045TR86	8	6	25,0	29,0	23,0	26,0	55,0	3,0
5045TR106	10	6	27,0	31,5	23,0	26,0	57,5	3,0
5045TR108	10	8	27,0	31,5	25,0	29,0	60,5	3,0
5045TR128	12	8	28,0	33,0	25,0	29,0	62,0	3,0
5045TR1210	12	10	28,0	33,0	27,0	31,5	64,5	5,0
5045TR1410	14	10	29,5	35,5	27,0	31,5	67,0	6,0
5045TR1412	14	12	29,5	35,5	28,0	33,0	68,5	7,0
5045TR1612	16	12	30,0	36,0	28,0	33,0	69,0	7,0
5045TR1614	16	14	30,0	36,0	29,5	35,5	71,5	8,0
5045TR1914	19	14	31,0	37,0	29,5	35,5	72,5	10,0
5045TR1916	19	16	31,0	37,0	30,0	36,0	73,0	10,0



5050

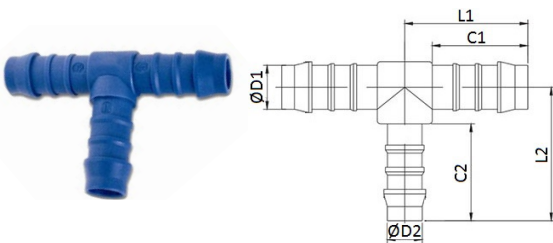
Union tee barb connector



CODE	ØD	C1	L1	C2	L2	GR.
5050TR4	4	16,0	19,0	16,0	20,5	1,0
5050TR5	5	21,0	25,0	21,0	26,5	1,0
5050TR6	6	23,0	27,5	23,0	29,0	1,0
5050TR8	8	25,0	30,5	25,0	32,5	3,0
5050TR10	10	27,0	33,0	27,0	33,5	5,0
5050TR12	12	28,0	34,0	28,0	37,5	8,0
5050TR14	14	29,5	42,5	29,5	42,5	12,0
5050TR16	16	30,0	44,0	30,0	44,0	13,0
5050TR19	19	31,0	45,0	31,0	45,0	17,0

5055

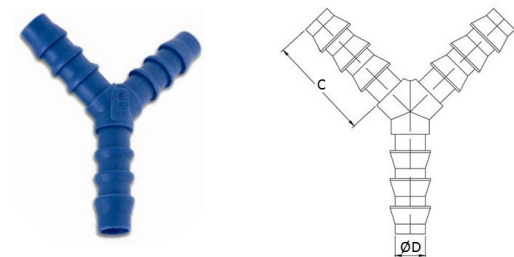
Reduced union tee barb connector



CODE	ØD1	ØD2	C1	L1	C2	L2	GR.
5055TR54	5	4	21,0	25,0	16,0	21,5	1,0
5055TR65	6	5	23,0	27,5	21,0	27,0	2,0
5055TR86	8	6	25,0	30,5	23,0	30,5	3,0
5055TR108	10	8	27,0	33,0	25,0	34,0	4,0
5055TR1210	12	10	28,0	34,5	27,0	36,5	7,0
5055TR1412	14	12	29,5	37,0	28,0	38,5	11,0
5055TR1614	16	14	30,0	39,0	29,5	41,5	13,0
5055TR1916	19	16	31,0	41,0	30,0	43,0	17,0

5060

Y barb connector

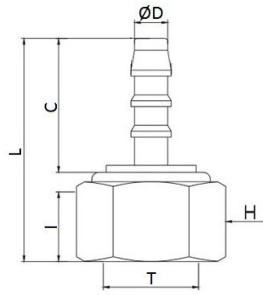


CODE	ØD	C	GR.
5060TR4	4	16,5	1,0
5060TR6	6	23,5	1,5
5060TR8	8	25,5	3,0
5060TR10	10	24,0	5,0
5060TR17	17	24,0	7,0



5070

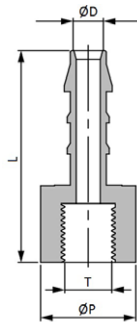
Swivel female barb connector BSPT thread



CODE	T	ØD	I	C	L	H	GR.
5070TR184	R1/8"	4	10,0	16,0	27,5	13	1,0
5070TR144	R1/4"	4	14,2	16,0	31,7	16	1,0
5070TR185	R1/8"	5	10,0	21,0	32,5	13	1,2
5070TR145	R1/4"	5	15,0	21,0	36,7	16	1,5
5070TR385	R3/8"	5	14,5	21,0	40,2	20	2,0
5070TR146	R1/4"	6	15,0	23,0	38,7	16	2,0
5070TR386	R3/8"	6	14,5	23,0	39,0	20	3,0
5070TR126	R1/2"	6	17,0	23,0	41,5	24	6,0
5070TR148	R1/4"	8	14,2	25,0	40,2	16	2,0
5070TR388	R3/8"	8	14,5	25,0	41,0	20	2,0
5070TR128	R1/2"	8	17,0	25,0	43,5	24	3,0
5070TR348	R3/4"	8	17,0	25,0	43,5	30	6,0
5070TR3810	R3/8"	10	14,5	27,0	43,0	20	4,0
5070TR1210	R1/2"	10	17,0	27,0	45,5	24	6,0
5070TR3410	R3/4"	10	17,0	27,0	45,5	30	9,0
5070TR1212	R1/2"	12	17,0	28,0	46,5	24	8,0
5070TR3412	R3/4"	12	17,0	28,0	46,5	30	10,0
5070TR1214	R1/2"	14	17,0	29,5	48,0	24	8,0
5070TR3414	R3/4"	14	17,0	29,5	48,0	30	10,0
5070TR3416	R3/4"	16	17,0	30,0	48,5	30	11,0
5070TR3419	R3/4"	19	17,0	31,0	49,5	30	16,0

5007

Female barb connector NPT thread

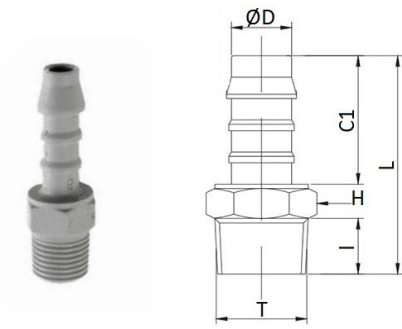


CODE	T	ØD	ØP	L	GR.
5007TR1814	N1/8"	1/4"	14	36,7	2,24
5007TR1414	N1/4"	1/4"	17	40,1	3,5
5007TR3814	N3/8"	1/4"	22	40,0	5,29
5007TR1214	N1/2"	1/4"	27	43,7	7,95
5007TR18516	N1/8"	5/16"	14	38,9	2,5
5007TR14516	N1/4"	5/16"	17	41,8	3,58
5007TR38516	N3/8"	5/16"	22	42,0	5,6
5007TR12516	N1/2"	5/16"	27	45,0	8,1
5007TR1438	N1/4"	3/8"	17	44,1	4,09
5007TR3838	N3/8"	3/8"	22	43,9	6,1
5007TR1238	N1/2"	3/8"	27	47,2	8,7
5007TR1412	N1/4"	1/2"	17	44,7	4,64
5007TR3812	N3/8"	1/2"	22	45,2	6,55
5007TR1212	N1/2"	1/2"	27	48,8	9,2
5007TR1258	N1/2"	5/8"	27	50,4	10,1
5007TR1234	N1/2"	3/4"	27	51,7	10,6



5015

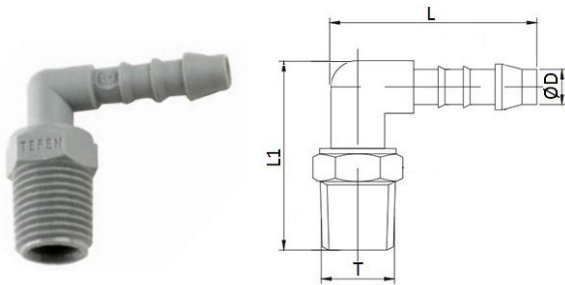
Male barb connector NPT thread



CODE	T	ØD	I	C1	L	H	GR.
5015TR18532	N1/8"	5/32"	8,0	16,0	30,5	11	1,0
5015TR18316	N1/8"	3/16"	9,0	21,0	20,5	11	1,0
5015TR14316	N1/4"	3/16"	13,0	21,0	40,5	14	1,0
5015TR1814	N1/8"	1/4"	9,0	23,0	32,5	17	1,5
5015TR14	N1/4"	1/4"	13,0	23,0	42,5	22	1,0
5015TR3814	N3/8"	1/4"	13,0	23,0	44,0	11	3,0
5015TR1214	N1/2"	1/4"	18,0	23,0	49,0	14	6,4
5015TR18516	N1/8"	5/16"	9,0	25,0	34,5	17	1,8
5015TR14516	N1/4"	5/16"	13,0	25,0	44,5	22	2,7
5015TR38516	N3/8"	5/16"	13,0	25,0	46,0	14	4,1
5015TR12516	N1/2"	5/16"	18,0	25,0	51,0	22	6,8
5015TR1438	N1/4"	3/8"	13,0	27,0	46,5	22	3,0
5015TR38	N3/8"	3/8"	13,0	27,0	48,0	27	5,0
5015TR1238	N1/2"	3/8"	18,0	27,0	53,0	22	7,4
5015TR3438	N3/4"	3/8"	19,0	27,0	54,0	27	9,8
5015TR1412	N1/4"	1/2"	13,0	28,0	47,5	22	3,5
5015TR3812	N3/8"	1/2"	13,0	28,0	49,0	17,5	5,0
5015TR12	N1/2"	1/2"	18,0	28,0	54,0	27	7,6
5015TR3412	N3/4"	1/2"	19,0	28,0	55,0	22	10,3
5015TR1258	N1/2"	5/8"	18,0	30,0	56,0	22	8,5
5015TR3458	N3/4"	5/8"	19,0	30,0	57,0	27	11,2
5015TR1234	N1/2"	3/4"	18,0	31,0	57,0	22	9,1
5015TR34	N3/4"	3/4"	19,0	31,0	58,0	27	11,9

5022

Male elbow barb connector NPT thread

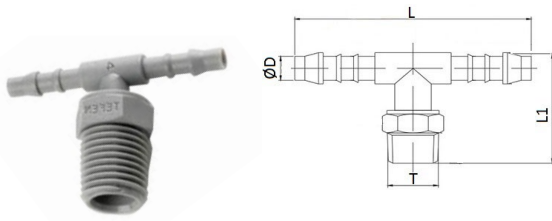


CODE	T	ØD	L	L1	GR.
5022TR18532	5/32"	N1/8"	25,7	26,0	1,58
5022TR14532	5/32"	N1/4"	25,9	31,1	2,5
5022TR18316	3/16"	N1/8"	31,8	28,6	2,0
5022TR14316	3/16"	N1/4"	33,4	31,8	-
5022TR12316	3/16"	N1/2"	41,8	31,8	-
5022TR1814	1/4"	N1/8"	35,4	29,0	2,29
5022TR1414	1/4"	N1/4"	35,5	33,7	3,3
5022TR3814	1/4"	N3/8"	35,5	33,8	4,8
5022TR1214	1/4"	N1/2"	42,2	35,5	6,7
5022TR18516	5/16"	N1/8"	41,5	32,1	3,30
5022TR14516	5/16"	N1/4"	41,2	36,7	4,25
5022TR38516	5/16"	N3/8"	41,5	36,6	5,4
5022TR12516	5/16"	N1/2"	41,5	43,1	8,7
5022TR1438	3/8"	N1/4"	45,4	37,7	4,8
5022TR3838	3/8"	N3/8"	45,3	37,5	6,2
5022TR1238	3/8"	N1/2"	45,4	44,4	7,8
5022TR3438	3/8"	N3/4"	45,4	44,0	12,4
5022TR1412	1/2"	N1/4"	48,6	39,0	-
5022TR3812	1/2"	N3/8"	48,3	28,6	7,8
5022TR1212	1/2"	N1/2"	48,7	45,2	11,1
5022TR3412	1/2"	N3/4"	48,7	45,2	14,1
5022TR1258	5/8"	N1/2"	53,8	51,5	14,4
5022TR3458	5/8"	N3/4"	53,8	51,4	17,5
5022TR1234	3/4"	N1/2"	56,6	52,8	16,1
5022TR3434	3/4"	N3/4"	56,2	53,0	18,8



5027

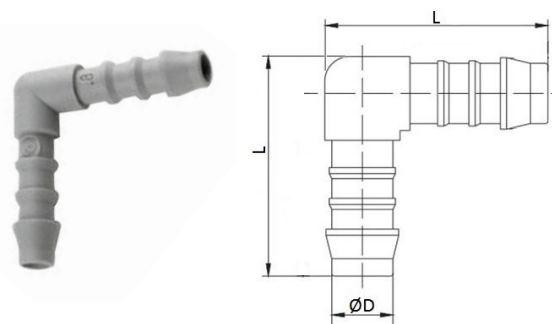
Male tee barb connector NPT thread



CODE	T	ØD	L	L1	GR.
5027TR18532	N1/8"	5/32"	45,1	26,0	1,44
5027TR14532	N1/4"	5/32"	45,1	30,7	2,69
5027TR18316	N1/8"	3/16"	56,3	28,6	2,4
5027TR14316	N1/4"	3/16"	56,3	33,4	3,34
5027TR12316	N1/2"	3/16"	56,3	39,3	7,8
5027TR1814	N1/8"	1/4"	63,0	29,4	-
5027TR1414	N1/4"	1/4"	63,0	33,8	3,86
5027TR3814	N3/8"	1/4"	63,0	33,7	6,55
5027TR1214	N1/2"	1/4"	63,0	40,3	9,57
5027TR18516	N1/8"	5/16"	72,5	32,3	4,51
5027TR14516	N1/4"	5/16"	72,5	36,8	5,46
5027TR38516	N3/8"	5/16"	72,5	36,9	6,65
5027TR12516	N1/2"	5/16"	72,5	42,8	9,68
5027TR1438	N1/4"	3/8"	78,5	38,0	5,14
5027TR3838	N3/8"	3/8"	78,5	37,7	7,78
5027TR1238	N1/2"	3/8"	78,5	44,0	10,52
5027TR3438	N3/4"	3/8"	78,5	43,8	13,91
5027TR1412	N1/4"	1/2"	82,6	39,3	8,62
5027TR3812	N3/8"	1/2"	82,6	38,8	11
5027TR1212	N1/2"	1/2"	82,6	45,5	14,44
5027TR3412	N3/4"	1/2"	82,6	45,5	20,42
5027TR1258	N1/2"	5/8"	88,4	51,5	18,28
5027TR3458	N3/4"	5/8"	88,4	51,1	21
5027TR1234	N1/2"	3/4"	90,5	53,0	16,6
5027TR3434	N3/4"	3/4"	90,5	52,5	23,02

5032

Elbow barb connector

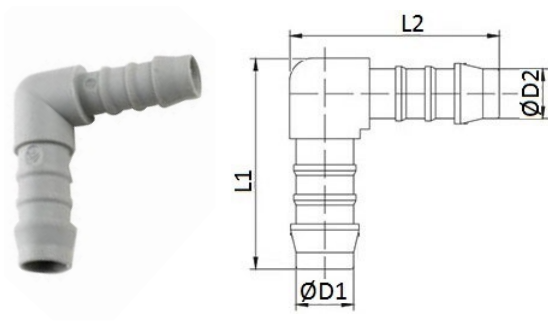


CODE	ØD	L	GR.
5032TR532	5/32"	25,6	0,65
5032TR316	3/16"	33,2	1,19
5032TR14	1/4"	36,1	1,77
5032TR516	5/16"	41,4	3,18
5032TR38	3/8"	44,6	4,42
5032TR12	1/2"	47,6	6,7
5032TR58	5/8"	54,3	11,17
5032TR34	3/4"	56,7	13,6



5037

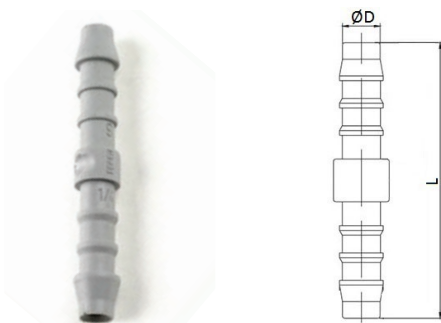
Reduced union elbow barb connector



CODE	ØD1	ØD2	L1	L2	GR.
5037TR316532	3/16"	5/32"	31,8	27,9	1,5
5037TR14316	1/4"	3/16"	35,4	34,1	2,0
5037TR51614	5/16"	1/4"	39,4	41,6	2,3
5037TR3814	3/8"	1/4"	40,2	45,3	3,8
5037TR38516	3/8"	5/16"	42,5	45,5	4,0
5037TR1238	1/2"	3/8"	45,8	48,6	6,5
5037TR3458	3/4"	5/8"	55,8	55,8	7,2

5042

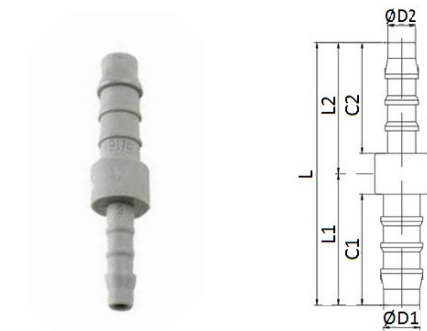
Union barb connector



CODE	ØD	L	GR.
5042TR532	5/32"	25,6	0,65
5042TR316	3/16"	33,2	1,19
5042TR14	1/4"	36,1	1,77
5042TR516	5/16"	41,4	3,18
5042TR38	3/8"	44,6	4,42
5042TR12	1/2"	47,6	6,7
5042TR58	5/8"	54,3	11,17
5042TR34	3/4"	56,7	13,6

5047

Reduced union barb connector

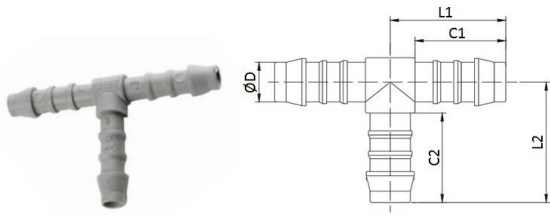


CODE	ØD1	ØD2	C1	L1	C2	L2	L	GR.
5047TR316532	3/16"	5/32"	-	-	-	-	42,2	0,62
5047TR14532	1/4"	5/32"	-	-	-	-	45,7	0,86
5047TR14316	1/4"	3/16"	23,5	26,0	21,0	23,5	49,5	1,0
5047TR516316	5/16"	3/16"	24,0	29,5	21,0	23,5	53,0	2,0
5047TR51614	5/16"	1/4"	25,0	29,0	23,0	26,0	55,0	2,1
5047TR3814	1/2"	1/4"	25,5	31,5	23,0	27,0	58,5	2,5
5047TR38516	3/8"	5/16"	27,0	31,5	25,0	29,0	60,5	2,8
5047TR12516	1/2"	5/16"	28,0	33,0	25,0	29,0	62,0	4,1
5047TR1238	1/2"	3/8"	29,5	33,0	27,0	31,5	64,5	4,6
5047TR5812	5/8"	1/2"	30,5	36,0	28,0	33,0	69,0	7,5
5047TR3458	3/4"	5/8"	31,0	37,0	30,0	37,0	74,0	10,0



5052

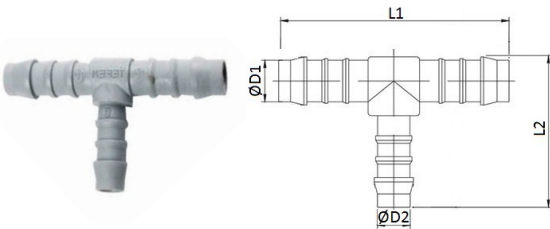
Union tee barb connector



CODE	ØD	C1	L1	C2	L2	GR.
5052TR532	5/32"	-	39,4	-	24,3	0,62
5052TR316	3/16"	21,0	25,0	21,0	27,5	1,2
5052TR14	1/4"	23,0	27,5	23,0	29,0	1,9
5052TR516	5/16"	25,0	30,5	25,0	32,5	3,2
5052TR38	3/8"	26,5	33,0	27,0	35,5	5,5
5052TR12	1/2"	28,0	34,0	28,0	37,5	9,0
5052TR58	5/8"	30,0	44,0	30,0	44,0	14,0
5052TR34	3/4"	31,0	45,0	31,0	45,0	17,0

5057

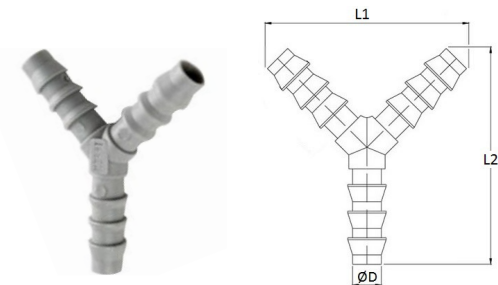
Union tee barb connector



CODE	ØD1	ØD2	L1	L2	GR.
5057TR316532	3/16"	5/32"	50,6	25,9	1,1
5057TR14316	1/4"	3/16"	55,8	32,0	1,74
5057TR51614	5/16"	1/4"	61,5	36,2	2,94
5057TR38516	3/8"	5/16"	66,5	39,3	1,1
5057TR1238	1/2"	3/8"	70,3	43,5	7,75
5057TR3458	3/4"	5/8"	84,3	55,2	16,42

5062

Union Y barb connector



CODE	ØD	L1	L2	GR.
5062TR532	5/32"	30,8	35,5	0,65
5062TR14	1/4"	44,3	50,8	2,095
5062TR516	5/16"	49,4	55,6	3,35
5062TR38	3/8"	54,9	60,8	4,93





BARB CONNECTORS

PVDF

PLUS

**FITTINGS MADE OF PVDF CAN
FUNCTION WELL, EVEN WHEN
EXPOSED TO A WIDE RANGE OF
TEMPERATURES AND HIGH CORROSIVE
CHEMICALS**

**ACCESSORIES FOR HIGHER GRIPPING
AND SAFETY AVAILABLE**





p. 278 / **5905**



p. 279 / **5910**



p. 279 / **5920**



p. 280 / **5925**



p. 281 / **5930**



p. 281 / **5935**



p. 281 / **5940**



p. 282 / **5945**



p. 282 / **5950**



p. 282 / **5955**

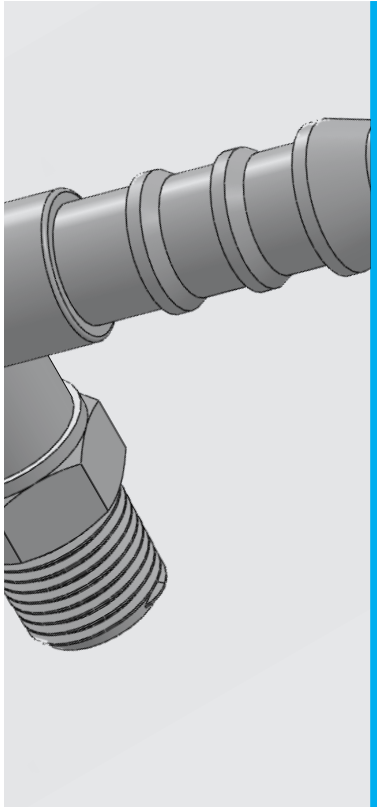


p. 283 / **5960**



p. 283 / **5970**





20°C ÷ +120°C
subject to applications



up to 14 Bar at 20°C
depending from the used tube



Compressed air, water and food
fluids suitable with construction
materials



Taper gas BSPT ISO 7
from R1/8" to R1"



Polyurethane, Polyethylene,
polyamide, silicon, PTFE, FEP



Polyvinylidene fluoride (PVDF)

FEATURES

Fittings made of pvdf can function well, even when exposed to a wide range of temperatures and high corrosive chemicals

Available on demand with INCH tube and NPT thread



Products in compliance with
the directive 2002/95/EC

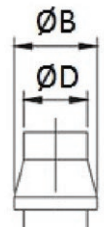
RoHS2

Products in compliance with
the directive 2011/65/EU



DIAMETER OF THE BARB

ØD	Ø 4 mm	Ø 5 mm	Ø 6 mm	Ø 8mm	Ø 10 mm	Ø 12 mm	Ø 14 mm	Ø 16 mm	Ø 19 mm
ØB (mm)	5,2 mm	6,3 mm	8,0 mm	10,0 mm	12,0 mm	14,0 mm	16,2 mm	18,2 mm	21,0 mm



PRECAUTIONS

- The products are made in plastic and it's necessary to use teflon coating over the thread for installation in order and to prevent air leakage. Be sure to prevent excessive torque when screwing the fittings.
- To connect the tube, insert the tube to the end and tight the cap before use.
- Cut the pressed part of the tube before connection to reuse the released tube

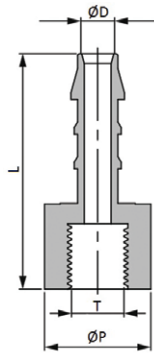
RECOMMENDED TIGHTENING TORQUE

THREAD SIZE	NM	FT LB
1/8	0,1	0,07
1/4	1	0,8
3/8	5	3
1/2	8	6
3/4	16	12



5905

Female hose connector BSPT thread

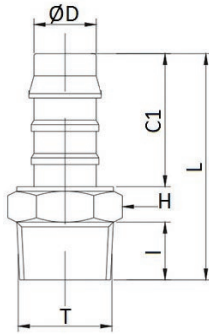


CODE	T	ØD	L	ØP	GR.
5905TR185	R1/8"	5	34,4	14	2,0
5905TR145	R1/4"	5	35,2	17	2,7
5905TR385	R3/8"	5	36,5	22	4,57
5905TR125	R1/2"	5	38,7	26	6,6
5905TR186	R1/8"	6	36,3	14	2,15
5905TR146	R1/4"	6	37,2	17	2,9
5905TR386	R3/8"	6	38,3	22	4,8
5905TR126	R1/2"	6	40,8	26	7,0
5905TR188	R1/8"	8	38,2	14	2,5
5905TR148	R1/4"	8	39,4	17	5,0
5905TR388	R3/8"	8	40,4	22	7,1
5905TR128	R1/2"	8	42,7	26	3,6
5905TR1410	R1/4"	10	41,5	17	5,4
5905TR3810	R3/8"	10	42,3	22	7,5
5905TR1210	R1/2"	10	45,0	26	4,1
5905TR1412	R1/4"	12	42,4	17	6,2
5905TR3812	R3/8"	12	43,3	22	8,0
5905TR1212	R1/2"	12	46,0	26	6,9
5905TR3814	R3/8"	14	45,0	22	8,7
5905TR1214	R1/2"	14	47,3	26	9,0
5905TR1216	R1/2"	16	48,1	26	9,5
5905TR1219	R1/2"	19	48,8	26	4,7



5910

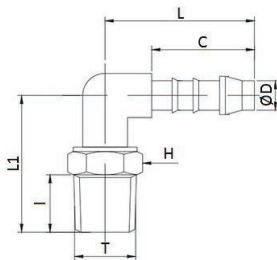
Male barb connector BSPT thread



CODE	T	ØD	I	C1	L	H	GR.
5910TR184	R1/8"	4	8,0	16,0	30,5	11	1,0
5910TR144	R1/4"	4	10,0	16,0	33,5	14	1,2
5910TR185	R1/8"	5	8,0	21,0	35,5	11	1,0
5910TR145	R1/4"	5	10,0	21,0	38,5	14	1,0
5910TR186	R1/8"	6	8,0	23,0	37,5	11	1,0
5910TR146	R1/4"	6	10,0	23,0	40,5	14	2,0
5910TR386	R3/8"	6	10,0	23,0	40,5	17	3,0
5910TR126	R1/2"	6	12,5	23,0	44,0	22	6,0
5910TR346	R3/4"	6	14,5	23,0	46,0	22	8,2
5910TR188	R1/8"	8	8,0	25,0	39,5	11	2,0
5910TR148	R1/4"	8	10,0	25,0	42,5	14	2,0
5910TR388	R3/8"	8	10,0	25,0	42,5	17	3,0
5910TR128	R1/2"	8	12,5	25,0	46,0	22	6,0
5910TR348	R3/4"	8	12,5	25,0	37,1	17	4,7
5910TR1410	R1/4"	10	10,0	27,0	44,0	14	1,0
5910TR3810	R3/8"	10	10,0	27,0	44,0	17	4,0
5910TR1210	R1/2"	10	12,5	27,0	48,0	22	6,0
5910TR3410	R3/4"	10	14,5	27,0	50,0	27	9,1
5910TR1412	R1/4"	12	10,0	28,0	45,0	14	4,0
5910TR3812	R3/8"	12	10,0	28,0	45,0	17	4,0
5910TR1212	R1/2"	12	12,5	28,0	49,0	22	7,0
5910TR3412	R3/4"	12	14,5	28,0	51,0	27	9,2
5910TR3814	R3/8"	14	10,0	29,5	47,0	17	6,0
5910TR1214	R1/2"	14	12,5	29,5	50,5	22	7,0
5910TR3414	R3/4"	14	14,5	29,5	52,5	27	9,8
5910TR1216	R1/2"	16	12,5	30,0	51,0	22	8,0
5910TR3416	R3/4"	16	14,5	30,0	53,0	27	10,0
5910TR1219	R1/2"	19	12,5	31,0	52,0	22	9,0
5910TR3419	R3/4"	19	14,5	31,0	54,0	27	15,0
5910TR119	R1"	19	21,0	31,0	62,0	27	18,8
5910TR3425	R3/4"	25	21,0	31,0	54,8	27	17,0
5910TR125	R1"	25	21,0	31,0	66,6	36	19,5

5920

Male elbow barb connector BSPT thread



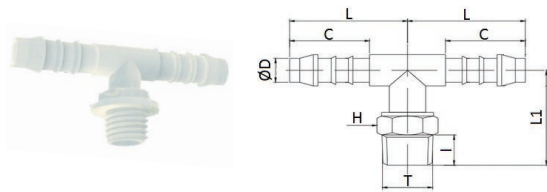
CODE	T	ØD	I	C	L	L1	H	GR.
5920TR184	R1/8"	4	8,0	16,0	22,5	21,0	11	1,0
5920TR144	R1/4"	4	10,0	16,0	22,5	24,0	14	1,0
5920TR185	R1/8"	5	8,0	21,0	28,0	24,0	11	1,0
5920TR145	R1/4"	5	10,0	21,0	28,0	26,0	14	3,0
5920TR125	R1/2"	5	13,0	21,0	28,0	30,0	22	6,0
5920TR186	R1/8"	6	8,5	23,5	31,5	23,5	11	1,0
5920TR146	R1/4"	6	10,0	23,0	31,0	26,0	14	3,0
5920TR386	R3/8"	6	10,5	23,0	31,0	26,0	17	3,0
5920TR126	R1/2"	6	13,0	23,5	31,5	30,0	22	7,0
5920TR188	R1/8"	8	8,0	25,0	36,0	26,0	11	3,0
5920TR148	R1/4"	8	10,0	25,0	36,0	28,0	14	3,0



5920TR388	R3/8"	8	10,5	25,0	36,0	28,0	17	5,0
5920TR128	R1/2"	8	13,0	25,0	36,0	30,5	22	7,0
5920TR1410	R1/4"	10	10,0	27,0	39,0	28,0	14	4,0
5920TR3810	R3/8"	10	10,5	27,0	39,0	28,0	17	6,0
5920TR1210	R1/2"	10	13,0	27,0	39,0	30,5	22	8,0
5920TR3410	R3/4"	10	14,5	27,0	39,0	33,5	27	9,9
5920TR1412	R1/4"	12	10,0	28,0	41,0	28,0	14	7,0
5920TR3812	R3/8"	12	10,5	28,0	41,0	28,0	17	8,0
5920TR1212	R1/2"	12	13,0	28,0	41,0	32,0	22	9,0
5920TR3412	R3/4"	12	14,5	28,0	41,0	34,0	27	12,0
5920TR3814	R3/8"	14	10,5	29,5	42,5	31,5	17	9,0
5920TR1214	R1/2"	14	13,0	29,5	42,5	34,0	22	11,0
5920TR3414	R3/4"	14	14,5	29,5	42,5	37,5	27	14,4
5920TR1216	R1/2"	16	12,5	30,0	44,0	36,0	22	13,0
5920TR3416	R3/4"	16	14,5	30,0	44,0	39,0	27	14,0
5920TR1219	R1/2"	19	12,5	31,0	45,0	36,0	22	15,0
5920TR3419	R3/4"	19	15,0	31,0	45,0	38,0	27	16,6

5925

Male tee barb connector BSPT thread

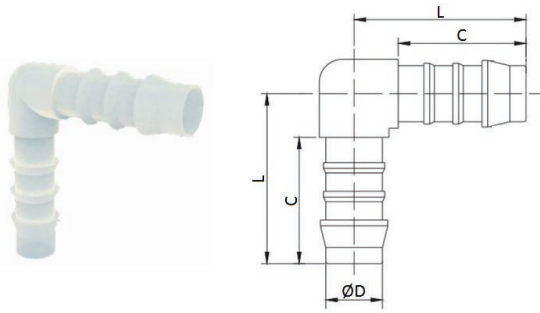


CODE	T	ØD	I	C	L	L1	H	GR.
5925TR184	R1/8"	4	8,0	16,0	19,5	18,5	11	1,0
5925TR144	R1/4"	4	10,5	16,0	19,5	21,5	14	2,5
5925TR185	R1/8"	5	8,0	21,0	25,0	19,5	11	1,0
5925TR145	R1/4"	5	10,5	21,0	25,0	22,5	14	3,0
5925TR186	R1/8"	6	8,5	23,5	31,5	23,5	11	1,0
5925TR146	R1/4"	6	10,5	23,0	27,5	23,0	14	3,0
5925TR386	R3/8"	6	13,0	23,0	27,5	23,0	17	4,1
5925TR126	R1/2"	6	12,5	23,0	27,5	27,0	22	7,1
5925TR188	R1/8"	8	8,0	25,0	30,5	21,5	11	3,0
5925TR148	R1/4"	8	10,5	25,0	30,5	24,5	14	5,0
5925TR388	R3/8"	8	10,5	25,0	30,5	24,5	17	6,0
5925TR128	R1/2"	8	13,0	25,0	30,5	28,5	22	7,5
5925TR1410	R1/4"	10	10,0	27,0	39,0	28,0	14	6,4
5925TR3810	R3/8"	10	10,5	27,0	39,0	28,0	17	7,3
5925TR1210	R1/2"	10	12,5	27,0	39,0	30,5	22	9,6
5925TR3410	R3/4"	10	13,0	27,0	39,0	31,5	27	11,8
5925TR1412	R1/4"	12	10,0	28,0	41,0	28,0	14	15,0
5925TR3812	R3/8"	12	10,5	28,0	41,0	28,0	17	9,0
5925TR1212	R1/2"	12	13,0	28,0	41,0	31,5	22	12,6
5925TR3412	R3/4"	12	13,0	28,0	41,0	31,5	27	14,3
5925TR3814	R3/8"	14	10,5	29,5	42,5	31,5	17	12,8
5925TR1214	R1/2"	14	12,5	29,5	42,5	34,0	22	15,0
5925TR3414	R3/4"	14	13,0	30,0	42,5	35,0	27	17,9
5925TR1216	R1/2"	16	12,5	30,0	44,0	36,0	22	15,0
5925TR3416	R3/4"	16	13,5	30,0	44,0	37,0	27	18,6
5925TR1219	R1/2"	19	12,5	31,0	45,0	36,0	22	19,6
5925TR3419	R3/4"	19	13,5	31,0	45,0	36,0	27	21,6



5930

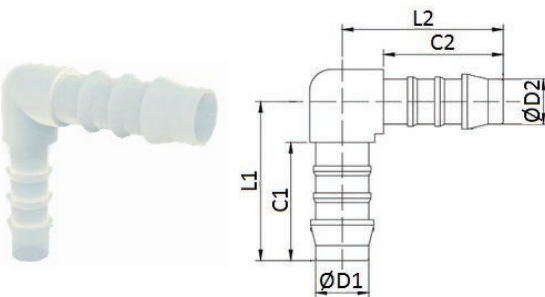
Union elbow barb connector



CODE	ØD	C	L	GR.
5930TR4	4	16,0	23,0	1,0
5930TR5	5	21,0	28,5	1,2
5930TR6	6	23,0	31,5	1,5
5930TR8	8	25,0	36,5	3,0
5930TR10	10	27,0	39,0	4,0
5930TR12	12	28,0	40,0	7,0
5930TR14	14	29,5	42,5	9,0
5930TR16	16	30,0	44,0	11,0
5930TR19	19	31,0	45,0	13,0

5935

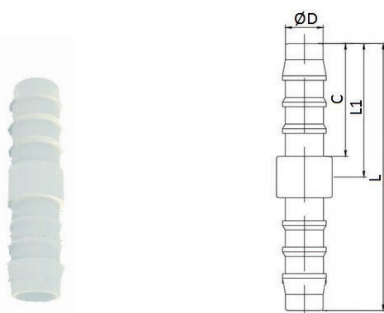
Reduced union elbow barb connector



CODE	ØD1	ØD2	C1	L1	C2	L2	GR.
5935TR54	5	4	21,0	28,5	16,0	23,0	1,0
5935TR64	6	4	21,0	35,5	-	29,0	-
5935TR65	6	5	23,0	31,5	21,0	28,5	1,5
5935TR86	8	6	25,0	36,5	23,0	31,5	2,0
5935TR106	10	6	27,0	39,0	23,0	31,5	3,8
5935TR108	10	8	27,0	39,0	25,0	36,5	4,0
5935TR1210	12	10	28,0	40,0	27,0	39,0	7,0
5935TR1412	14	12	29,5	42,5	28,0	40,0	9,0
5935TR1614	16	14	30,0	44,0	29,5	42,5	11,0
5935TR1916	19	16	31,0	45,0	30,0	44,0	14,0

5940

Union barb connector

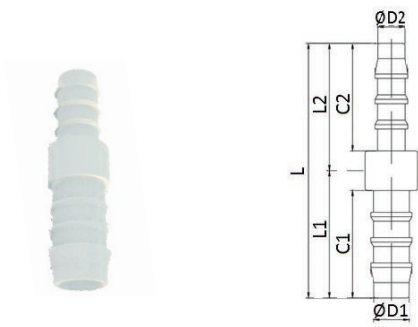


CODE	ØD	C	L1	L	GR.
5940TR4	4	16,0	18,0	36,0	1,0
5940TR5	5	21,0	23,5	47,0	1,2
5940TR6	6	23,0	26,0	52,0	1,5
5940TR8	8	25,0	29,0	58,0	2,0
5940TR10	10	27,0	31,5	63,0	3,0
5940TR12	12	28,0	33,0	66,0	4,0
5940TR14	14	29,5	35,5	71,0	7,5
5940TR16	16	30,0	36,0	72,0	9,0
5940TR19	19	31,0	37,0	74,0	11,0



5945

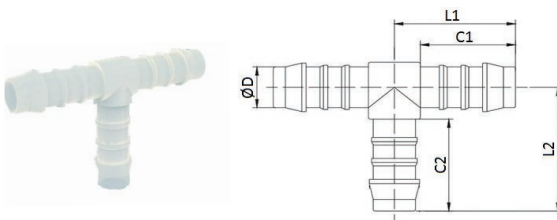
Reduced union barb connector



CODE	ØD1	ØD2	C1	L1	C2	L2	L	GR.
5945TR54	5	4	21,0	23,5	16,0	18,0	41,5	1,0
5945TR64	6	4	23,0	26,0	16,0	18,0	44,0	1,0
5945TR65	6	5	23,0	26,0	21,0	23,5	49,5	1,0
5945TR85	8	5	25,0	29,5	21,0	23,5	53,0	2,0
5945TR86	8	6	25,0	29,0	23,0	26,0	55,0	3,0
5945TR106	10	6	27,0	31,5	23,0	26,0	57,5	3,0
5945TR108	10	8	27,0	31,5	25,0	29,0	60,5	3,0
5945TR128	12	8	28,0	33,0	25,0	29,0	62,0	3,0
5945TR1210	12	10	28,0	33,0	27,0	31,5	64,5	5,0
5945TR1410	14	10	29,5	35,5	27,0	31,5	67,0	6,0
5945TR1412	14	12	29,5	35,5	28,0	33,0	68,5	7,0
5945TR1612	16	12	30,0	36,0	28,0	33,0	69,0	7,0
5945TR1614	16	14	30,0	36,0	29,5	35,5	71,5	8,0
5945TR1914	19	14	31,0	37,0	29,5	35,5	72,5	10,0
5945TR1916	19	16	31,0	37,0	30,0	36,0	73,0	10,0

5950

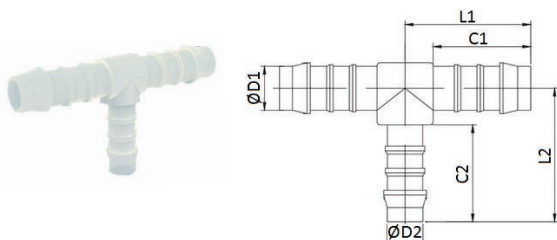
Union tee barb connector



CODE	ØD	C1	L1	C2	L2	GR.
5950TR4	4	16,0	19,0	16,0	20,5	1,0
5950TR5	5	21,0	25,0	21,0	26,5	1,0
5950TR6	6	23,0	27,5	23,0	29,0	1,0
5950TR8	8	25,0	30,5	25,0	32,5	3,0
5950TR10	10	27,0	33,0	27,0	33,5	5,0
5950TR12	12	28,0	34,0	28,0	37,5	8,0
5950TR14	14	29,5	42,5	29,5	42,5	12,0
5950TR16	16	30,0	44,0	30,0	44,0	13,0
5950TR19	19	31,0	45,0	31,0	45,0	17,0

5955

Reduced union tee barb connector

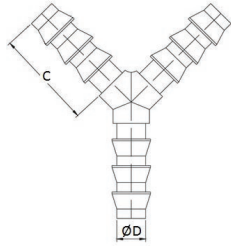


CODE	ØD1	ØD2	C1	L1	C2	L2	GR.
5955TR54	5	4	21,0	25,0	16,0	21,5	1,0
5955TR65	6	5	23,0	27,5	21,0	27,0	2,0
5955TR86	8	6	25,0	30,5	23,0	30,5	3,0
5955TR108	10	8	27,0	33,0	25,0	34,0	4,0
5955TR1210	12	10	28,0	34,5	27,0	36,5	7,0
5955TR1412	14	12	29,5	37,0	28,0	38,5	11,0
5955TR1614	16	14	30,0	39,0	29,5	41,5	13,0
5955TR1916	19	16	31,0	41,0	30,0	43,0	17,0



5960

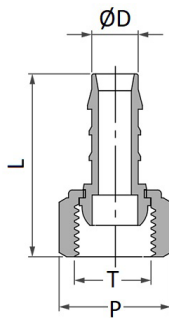
Y barb connector



CODE	ØD	C	GR.
5960TR4	4	16,5	1,0
5960TR6	6	23,5	1,5
5960TR8	8	25,5	3,0
5960TR10	10	24,0	5,0
5960TR17	17	24,0	7,0

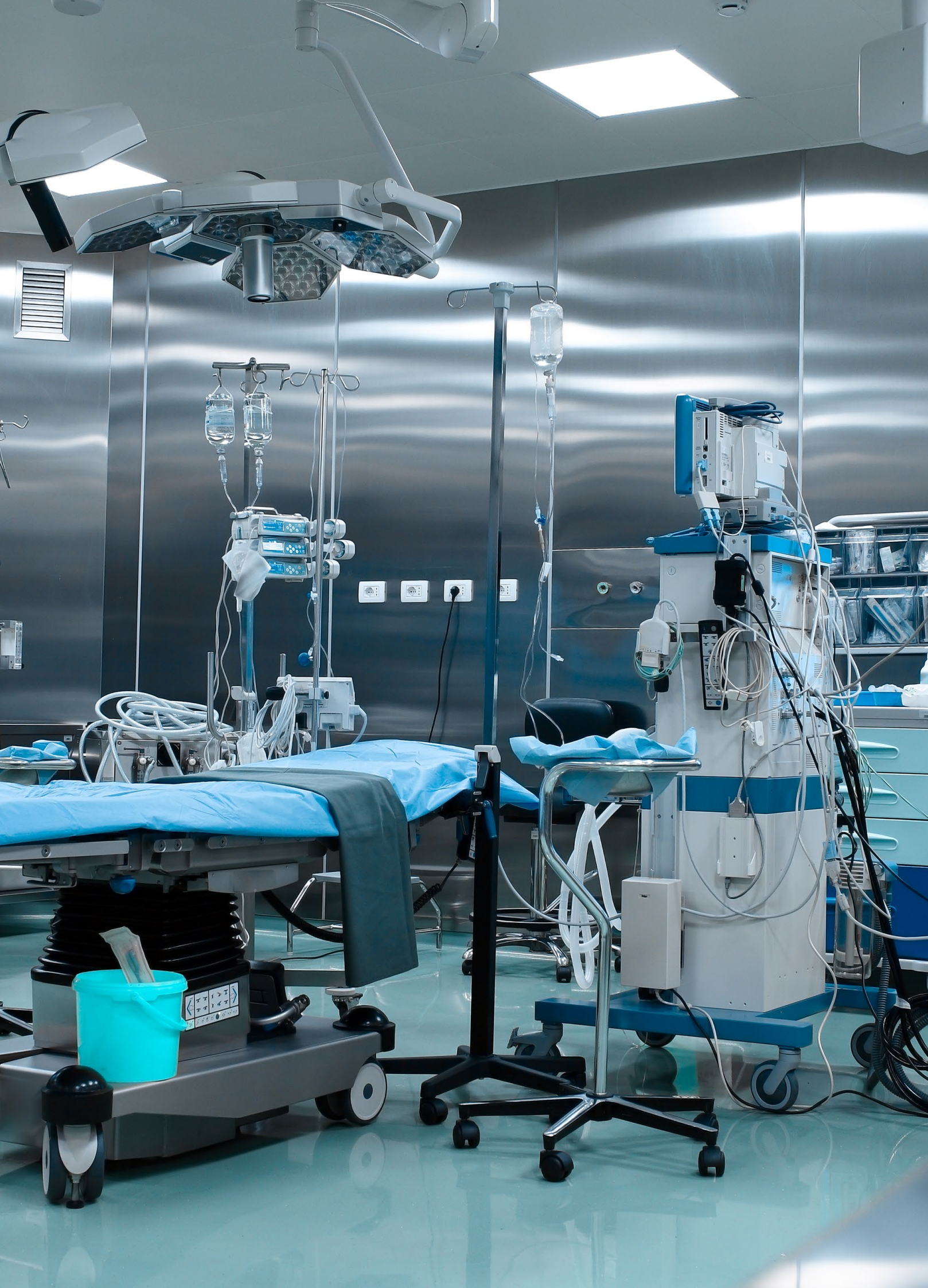
5970

Swivel female barb connector BSPT thread



CODE	T	P	ØD	L	GR.
5970TR184	R1/8"	13	4	27,5	-
5970TR144	R1/4"	17	4	31,7	-
5970TR185	R1/8"	13	5	32,0	-
5970TR145	R1/4"	17	5	36,2	-
5970TR385	R3/8"	20	5	36,0	-
5970TR146	R1/4"	17	6	37,3	-
5970TR386	R3/8"	20	6	36,8	-
5970TR126	R1/2"	24	6	39,5	-
5970TR148	R1/4"	17	8	41,3	-
5970TR388	R3/8"	20	8	40,8	-
5970TR128	R1/2"	24	8	43,6	-
5970TR348	R3/4"	30	8	43,4	-
5970TR3810	R3/8"	20	10	42,8	-
5970TR1210	R1/2"	24	10	43,6	-
5970TR3410	R3/4"	30	10	45,6	-
5970TR1212	R1/2"	24	12	46,7	-
5970TR3412	R3/4"	30	12	46,5	-
5970TR1214	R1/2"	24	14	48,9	-
5970TR3414	R3/4"	30	14	48,1	-
5970TR3416	R3/4"	30	16	48,5	-
5970TR3419	R3/4"	30	19	49,3	-





BARB CONNECTORS

INOX AISI 316

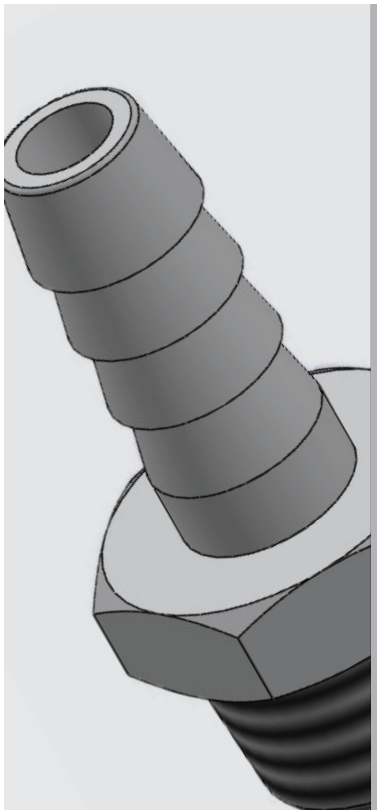
PLUS

**SUITABLE FOR FOOD & POTABLE WATER
CONTACT**

**ACCESSORIES FOR HIGHER GRIPPING
AND SAFETY AVAILABLE**



p. 286 / **1469**



-20°C ÷ +180°C



Up to 60 Bar



Compressed air, potable water, oil and food fluids suitable with construction materials



Taper gas BSPT ISO 7 from R1/8" to R3/4"



Polyurethane, Polyethylene, Polyamide, PTFE, FEP



Stainless steel INOX AISI 316L



Products in compliance with the directive 2002/95/EC

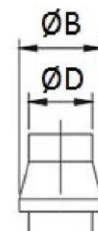
RoHS2

Products in compliance with the directive 2011/65/EU



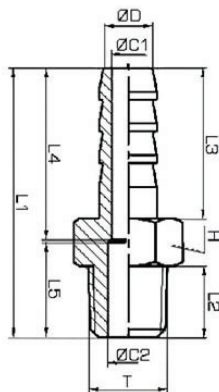
DIAMETER OF THE BARB

ØD	Ø 6 mm	Ø 8 mm	Ø 10 mm	Ø 14 mm	Ø 20 mm
ØB (mm)	7,2 mm	9,2 mm	11,2 mm	15,2 mm	21,0 mm



1469

Male barb connector BSPT thread Inox AISI 316



CODE	T	ØD	L1	L2	L3	L4	L5	ØC1	ØC2	H	GR.
1469TR186	R1/8"	6	34,0	9,0	19,0	21,7	12,0	4,0	5,0	12	13,0
1469TR148	R1/4"	8	35,5	10,5	19,0	21,1	14,0	5,5	7,0	14	18,0
1469TR3810	R3/8"	10	41,5	11,5	23,0	25,9	15,0	8,0	10,0	17	26,0
1469TR1214	R1/2"	14	51,0	15,0	28,0	32,4	18,0	11,0	13,0	22	54,0
1469TR3420	R3/4"	20	65,0	18,0	37,0	40,8	23,0	14,0	18,0	27	119,0



BARB CONNECTORS CLAMPS

PLUS

EASY USE

DIFFERENT KIND OF MATERIAL

GREAT RANGE DIAMETER TUBES

**THE ACETAL RESIN CLAMPS ARE
STRONG, DURABLE, REUSABLE**





p. 290 / **KC9**



p. 290 / **KCW9**



p. 291 / **KCX9**



p. 291 / **5090**



TECHNICAL SPECIFICATIONS

KC9

WORKING TEMPERATURE

Depends on the tube used

RANGE DIAMETER TUBES

From Ø8 to Ø90

REFERENCE STANDARD

Reach - RoHS2

CONSTRUCTION MATERIALS

Housing & band: stainless steel AISI 430

Screw: zinc plated steel with white trivalent zinc plating

KCW9

WORKING TEMPERATURE

Depends on the tube used

RANGE DIAMETER TUBES

From Ø8 to Ø90

REFERENCE STANDARD

Reach - RoHS2

CONSTRUCTION MATERIALS

Housing, screw & band: stainless steel AISI 304

KCX9

WORKING TEMPERATURE

Depends on the tube used

RANGE DIAMETER TUBES

From Ø8 to Ø90

REFERENCE STANDARD

Reach - RoHS2

CONSTRUCTION MATERIALS

Housing, screw & band: stainless steel AISI 316

5090

WORKING TEMPERATURE

+4°C ÷ +90°

RANGE DIAMETER TUBES

From Ø8 to Ø49

REFERENCE STANDARD

Reach - RoHS2

CONSTRUCTION MATERIALS

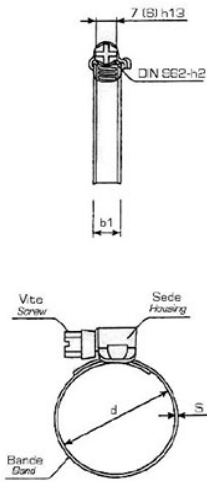
Acetal resin

FEATURES

The acetal resin clamps are strong, durable, reusable



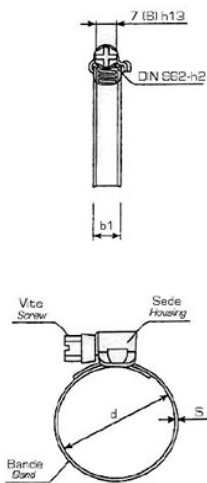
KC9 Worm drive hose clamp to DIN 3017, band width 9 mm, housing in Inox AISI 430 and screw in zinc coated steel



CODE	D - CAMP Ø	BANDWIDTH	B1 - SCREW	THICKNESS	TORQUE
KC9-0812	8-12	9,0	7,0	0,6	4,5
KC9-1016	10-16	9,0	7,0	0,6	4,5
KC9-1220	12-20	9,0	7,0	0,6	4,5
KC9-1222	12-22	9,0	7,0	0,6	4,5
KC9-1625	16-22	9,0	7,0	0,6	4,5
KC9-1627	16-27	9,0	7,0	0,6	4,5
KC9-2032	20-32	9,0	7,0	0,6	4,5
KC9-2535	25-35	9,0	7,0	0,6	4,5
KC9-2540	25-40	9,0	7,0	0,6	4,5
KC9-3045	30-45	9,0	7,0	0,6	4,5
KC9-3250	32-50	9,0	7,0	0,6	4,5
KC9-4060	40-60	9,0	7,0	0,6	4,5
KC9-5070	50-70	9,0	7,0	0,6	4,5
KC9-6080	60-80	9,0	7,0	0,6	4,5
KC9-7090	70-90	9,0	7,0	0,6	4,5

KCW9

Worm drive hose clamp to DIN 3017, band width 9 mm, housing and screw in Inox AISI 304

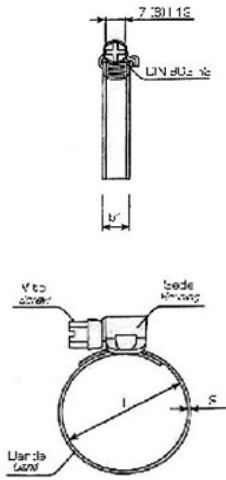


CODE	D - CAMP Ø	BANDWIDTH	B1 - SCREW	THICKNESS	TORQUE
KCW9-0812	8-12	9,0	7,0	0,6	4,5
KCW9-1016	10-16	9,0	7,0	0,6	4,5
KCW9-1220	12-20	9,0	7,0	0,6	4,5
KCW9-1625	16-25	9,0	7,0	0,6	4,5
KCW9-2032	20-32	9,0	7,0	0,6	4,5
KCW9-2535	25-35	9,0	7,0	0,6	4,5
KCW9-2540	25-40	9,0	7,0	0,6	4,5
KCW9-3045	30-45	9,0	7,0	0,6	4,5
KCW9-3250	32-50	9,0	7,0	0,6	4,5
KCW9-4060	40-60	9,0	7,0	0,6	4,5
KCW9-5070	50-70	9,0	7,0	0,6	4,5
KCW9-6080	60-80	9,0	7,0	0,6	4,5
KCW9-7090	70-90	9,0	7,0	0,6	4,5



KCX9

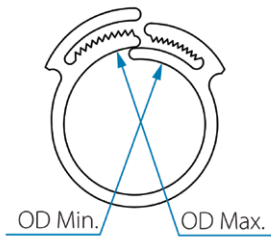
Worm drive hose clamp to DIN 3017, band width 9 mm, housing and screw in Inox AISI 316



CODE	D - CAMP Ø	BANDWIDTH	B1 - SCREW	THICKNESS	TORQUE
KCX9-0812	8-12	9,0	7,0	0,6	4,5
KCX9-1016	10-16	9,0	7,0	0,6	4,5
KCX9-1220	12-20	9,0	7,0	0,6	4,5
KCX9-1625	16-25	9,0	7,0	0,6	4,5
KCX9-2032	16-27	9,0	7,0	0,6	4,5
KCX9-2535	25-35	9,0	7,0	0,6	4,5
KCX9-2540	25-40	9,0	7,0	0,6	4,5
KCX9-3045	30-45	9,0	7,0	0,6	4,5
KCX9-3250	32-50	9,0	7,0	0,6	4,5
KCX9-4060	40-60	9,0	7,0	0,6	4,5
KCX9-5070	50-70	9,0	7,0	0,6	4,5
KCX9-6080	60-80	9,0	7,0	0,6	4,5
KCX9-7090	70-90	9,0	7,0	0,6	4,5

5090

Acetal resin snap clip



CODE	O.D. MIN	O.D. MAX
5090TR810	8	10
5090TR1012	10	12
5090TR1113	11	13
5090TR1315	13	15
5090TR1416	14	16
5090TR1517	15	17
5090TR1618	16	18
5090TR1719	17	19
5090TR1820	18	20
5090TR2022	20	22
5090TR2123	21	23
5090TR2325	23	25
5090TR2628	26	28
5090TR3032	30	32
5090TR3537	35	37
5090TR4446	44	46
5090TR4749	47	49



