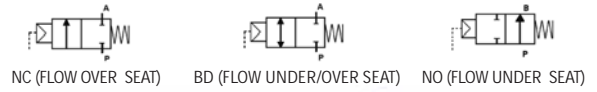


2/2 WAY PISTON VALVE WITH CLAMP-END CONNECTION; AISI 316L

TECHNICAL SPECIFICATIONS

- Media: water, oil, air, aggressive media and steam
- Media temperature: -10°C ... +180°C
- Ambient temperature: -10°C ... +60°C
- Pilot media: air, inert gases
- Body material: cast AISI 316L (see page 36)
- Clamp material: AISI 316L
- Bonnet material: cast AISI 316L (see page 36)
- Actuator body material: Polyamide PA6 (reinforced fiberglass 30%)
- Seal material: PTFE type TFM 1600
- Position indicator as standard
- Gasket and clamp not included
- Connection to ISO 2852 or ASME BPE

TYPE: COMPACT AND REGULAR (BD-NO-NC)



BENEFITS

- Waterhammer-free design for BPC version (with flow direction 2i 1)
- Actuator housing rotation 360°
- Design suitable for vacuum applications up to 10⁻² mbar

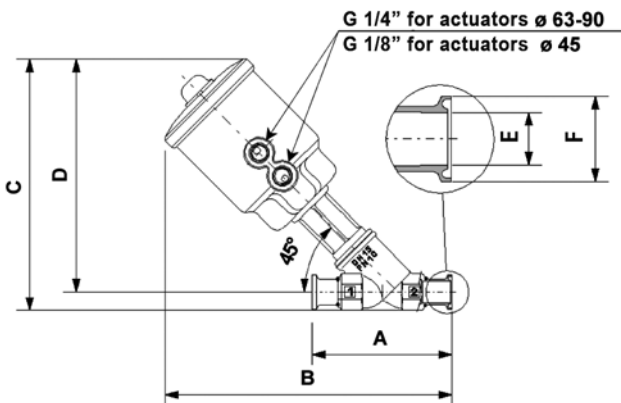
OPTIONS

- Manual override (Ex. code BPC205STWM0)
- Stroke regulator (Ex. code PC210STJR0)
- Travel switch (Ex. code RPC208LTZi0)

SELECTION TABLE

		ISO 2852								
		ACTUATOR Ø 45 mm			ACTUATOR Ø 63 mm			ACTUATOR Ø 90 mm		
orifice Ø		BD	NC	NO	BD	NC	NO	BD	NC	NO
(mm)		Code	Code	Code	Code	Code	Code	Code	Code	Code
DN 15		BPC205CTW00	PC205CTW00	RPC205CTW00	BPC205STW00	PC205STW00	RPC205STW00	-	-	-
DN 20		BPC206CTX00	PC206CTX00	RPC206CTX00	BPC206STX00	PC206STX00	RPC206STX00	-	-	-
DN 25		-	-	-	BPC207STY00	PC207STY00	RPC207STY00	BPC207LTY00	PC207LTY00	RPC207LTY00
DN 32		-	-	-	BPC208STZ00	PC208STZ00	RPC208STZ00	BPC208LTZ00	PC208LTZ00	RPC208LTZ00
DN 40		-	-	-	BPC209STK00	PC209STK00	RPC209STK00	BPC209LTK00	PC209LTK00	RPC209LTK00
DN 50		-	-	-	BPC210STJ00	PC210STJ00	RPC210STJ00	BPC210LTJ00	PC210LTJ00	RPC210LTJ00

		ASME BPE								
		ACTUATOR Ø 45 mm			ACTUATOR Ø 63 mm			ACTUATOR Ø 90 mm		
orifice Ø		BD	NC	NO	BD	NC	NO	BD	NC	NO
(mm)		Code	Code	Code	Code	Code	Code	Code	Code	Code
DN 15		BPP205CTW00	PP205CTW00	RPP205CTW00	BPP205STW00	PP205STW00	RPP205STW00	-	-	-
DN 20		BPP206CTX00	PP206CTX00	RPP206CTX00	BPP206STX00	PP206STX00	RPP206STX00	-	-	-
DN 25		-	-	-	BPP207STY00	PP207STY00	RPP207STY00	BPP207LTY00	PP207LTY00	RPP207LTY00
DN 40		-	-	-	BPP209STK00	PP209STK00	RPP209STK00	BPP209LTK00	PP209LTK00	RPP209LTK00
DN 50		-	-	-	BPP210STJ00	PP210STJ00	RPP210STJ00	BPP210LTJ00	PP210LTJ00	RPP210LTJ00



DIMENSIONS & WEIGHTS

orifice Ø	Ø act.	A ISO	A ASME	B ISO	B ASME	C ISO	C ASME	D	E ISO	E ASME	F ISO	F ASME	weight ISO	weight ASME
(mm)	(mm)	(mm)	(mm)	(mm)	(mm)	(mm)	(mm)	(mm)	(mm)	(mm)	(mm)	(mm)	(kg)	(kg)
DN 15	45	102	102	162	162	140	136	123	172	9.4	34	25	0.83	0.83
DN 20	45	114	114	167	167	142	138	125	21.3	15.75	34	25	1.10	1.10
DN 15	63	102	102	210	210	187	183	170	172	9.4	34	25	1.3	1.3
DN 20	63	114	114	217	217	193	189	176	21.3	15.75	34	25	1.5	1.5
DN 25	63	140	140	231	231	211	211	185	25	22.1	50.5	50.5	1.8	1.8
DN 32	63	159	-	240	-	218	-	192	33.7	-	50.5	-	2.4	-
DN 40	63	159	159	249	249	229	223	197	40	34.8	64	50.5	2.8	2.8
DN 50	63	190	190	267	267	240	240	206	51	47.5	64	64	3.6	3.6
DN 25	90	140	140	243	243	222	222	196	25	22.1	50.5	50.5	2.4	2.4
DN 32	90	159	-	251	-	230	-	204	33.7	-	50.5	-	2.8	-
DN 40	90	159	159	260	260	241	235	209	40	34.8	64	50.5	3.2	3.2
DN 50	90	190	190	279	279	251	251	217	51	47.5	64	64	4.0	4.0