

## 2/2 WAY PISTON VALVES WITH WELDING CONNECTION; AISI 316L

TYPE: ALL TYPES

### TECHNICAL SPECIFICATIONS

See general features at pages 11, 12, 13, 14, 15

### OPTIONS

Weld connection for DIN 3239 pipe (Ex. code BPF205STW00)

Manual override (Ex. code PS205STWM0) see page 24

Stroke regulator (Ex. code BPB210STJR0) see page 24

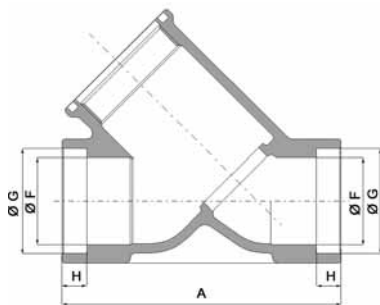
Travel switch (Ex. code RPW208LTZi0) see page 24

High temperature version (Ex. code PS205STW0H)

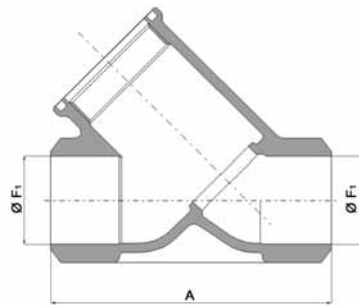


### SELECTION TABLE

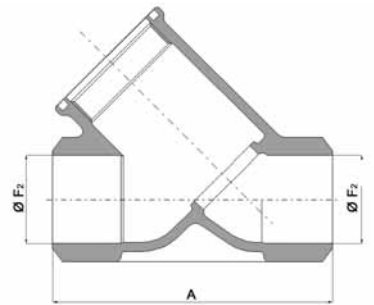
orifice Ø (mm)	SOCKET WELD for ISO 65 / ANSI B 36.10 pipe			BUTT WELD for ISO 65 / ANSI B 36.10 pipe			BUTT WELD for DIN 11850 pipe			BUTT WELD for ISO 4200 pipe		
	actuator size Ø 45 Code	actuator size Ø 63 Code	actuator size Ø 90 Code	actuator size Ø 45 Code	actuator size Ø 63 Code	actuator size Ø 90 Code	actuator size Ø 45 Code	actuator size Ø 63 Code	actuator size Ø 90 Code	actuator size Ø 45 Code	actuator size Ø 63 Code	actuator size Ø 90 Code
DN 15	PS205CTW00	PS205STW00	-	PB205CTW00	PB205STW00	-	PW205CTW00	PW205STW00	-	PH205CTW00	PH205STW00	-
DN 20	PS206CTX00	PS206STX00	-	PB206CTX00	PB206STX00	-	PW206CTX00	PW206STX00	-	PH206CTX00	PH206STX00	-
DN 25	-	PS207STY00	PS207LTY00	-	PB207STY00	PB207LTY00	-	PW207STY00	PW207LTY00	-	PH207STY00	PH207LTY00
DN 32	-	PS208STZ00	PS208LTZ00	-	PB208STZ00	PB208LTZ00	-	PW208STZ00	PW208LTZ00	-	PH208STZ00	PH208LTZ00
DN 40	-	PS209STK00	PS209LTK00	-	PB209STK00	PB209LTK00	-	PW209STK00	PW209LTK00	-	PH209STK00	PH209LTK00
DN 50	-	PS210STJ00	PS210LTJ00	-	PB210STJ00	PB210LTJ00	-	PW210STJ00	PW210LTJ00	-	PH210STJ00	PH210LTJ00



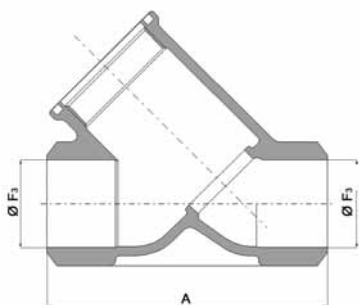
Valve with socket weld connection for ISO 65/ANSI B 36.10 pipe



Valve with butt weld connection for ISO 65/ANSI B 36.10 pipe  
Welding ends complying with ISO 6761



Valve with butt weld connection for DIN 11850 pipe  
Welding ends complying with ISO 6761



Valve with butt weld connection for ISO 4200 pipe  
Welding ends complying with ISO 6761

DIMENSIONS	actuator size Ø	orifice Ø	A	Ø F	Ø F <sub>1</sub>	Ø F <sub>2</sub>	Ø F <sub>3</sub>	Ø G	H
	(mm)	(DN)	(mm)	(mm)	(mm)	(mm)	(mm)	(mm)	(mm)
	45	15	65	17.4	17.4	16	18.1	22	5
	45	20	75	22.8	22.8	20	23.7	27.5	7
	63	15	65	17.4	17.4	16	18.1	22	5
	63	20	75	22.8	22.8	20	23.7	27.5	7
	63	25	90	28.3	28.3	26	29.7	34	8
	63	32	110	37.1	37.1	32	38.4	43	10
	63	40	120	42.7	42.7	38	44.3	49	12
	63	50	150	54.8	54.8	50	55.1	61.5	16
	90	25	90	28.3	28.3	26	29.7	34	8
	90	32	110	37.1	37.1	32	38.4	43	10
	90	40	120	42.7	42.7	38	44.3	49	12
	90	50	150	54.8	54.8	50	55.1	61.5	16

Note: For overall dimensions please refer to pages 11, 12, 13, 14, 15