

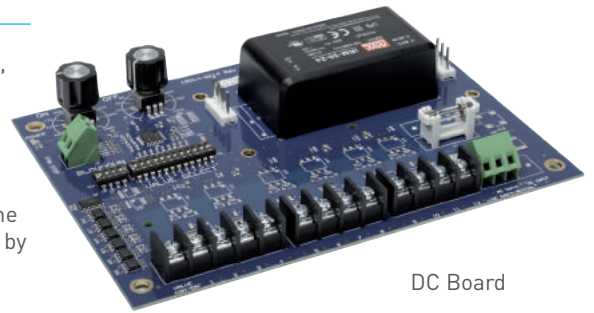
GOYEN - DS SERIES DURO SEQUENCER

PRODUCT LEAFLET

DESCRIPTION

The Duro Sequencer is an economical and durable filter cleaning control solution, for smaller collectors.

The Duro Sequencer features a robust solid state construction for excellent reliability and is designed for ease of installation and operation. The On and Off times for the Cleaning Pulse can be simply adjusted through the use of rotary analogue dials, while the microprocessor ensures the accuracy of the settings. The Duro Sequencer delivers confidence in its robustness and function as it is backed by Goyen's proven record within industry for reliability and quality construction.



DC Board

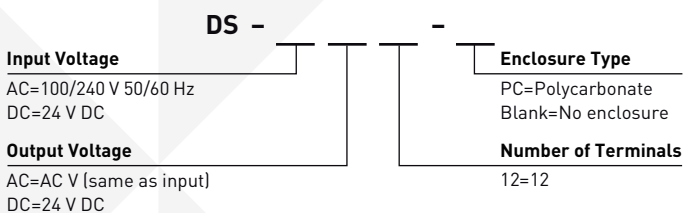
SUITABLE FOR

- Low cost with high performance and guaranteed reliability.
- Rotary Analogue Dials for quick and easy adjustment of pulse On time and Off time.
- Short circuit protection on each output.
- Simple to install and operate.
- Remote stop functionality and post-cleaning blow-down cycles.
- Conforms to the requirements of UL, CE, FCC and RCM.

TECHNICAL CHARACTERISTICS & PERFORMANCE

INPUT VOLTAGE	AC: 100/240 V @ 50/60 Hz. DC: 24 V
OUTPUT VOLTAGE	AC: 100/240 V @ 50/60 Hz (same as input).DC: 24 V
MAXIMUM INPUT POWER	AC IN, AC OUT Model: 225 W. AC IN, DC OUT Model: 25 W. DC IN, DC OUT Model: 25 W
DISCRETE SOLENOID OUTPUTS	12 outputs
ENCLOSURE	Polycarbonate or no enclosure
PROTECTION RATING	Polycarbonate: IP 66/67 & NEMA 1, 4, 4X, 6, 12 & 13
OPERATING TEMPERATURE	-20°C to 60°C (-4°F to 140°F)
ON & OFF TIME	ON: 30 ms to 1000 ms, OFF: 1 s to 1000 s
INPUTS	Voltage Free: Fan Stop

ORDER CODE - DURO SEQUENCER



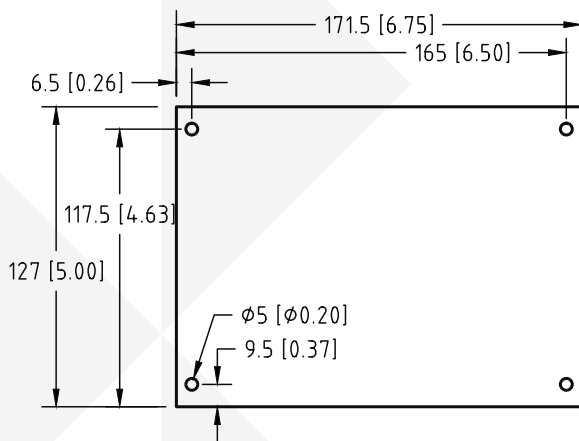
SAMPLE ORDER CODE: DS-ACDC12

[Duro Sequencer, AC input and DC output with 12 terminals and no enclosure]

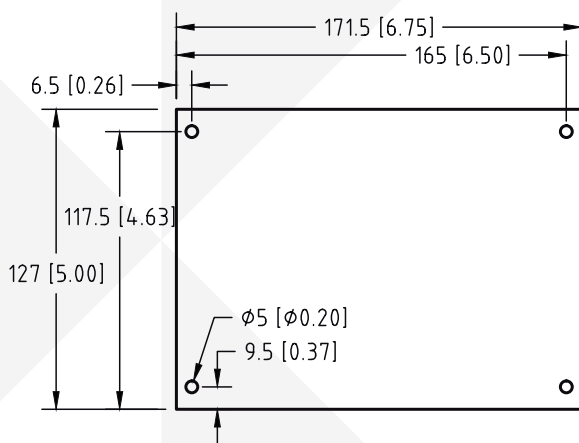
GOYEN - DS SERIES DURO SEQUENCER

PRODUCT LEAFLET

PCB BOARD DIMENSIONS - MM (INCH)



ENCLOSURE DIMENSIONS - MM (INCH)



GOYEN CONTROLS PTY LIMITED

268 MILPERRA ROAD, MILPERRA NSW 2214, AUSTRALIA WWW.GOYENMECAIR.PENTAIR.COM

Note: The information and data contained in this document are based on our general experience and are believed to be correct. They are given in good faith and are intended to provide a guideline for the selection and use of our products. Since the conditions under which our products may be used are beyond our control, this information does not imply any guarantee of final product performance and we cannot accept any liability with respect to the use of our products. The quality of our products is guaranteed under our conditions of sale. Existing industrial property rights must be observed.
PL PENTAIR GOYEN DS SERIES 3517 © 2017 Pentair. All Rights Reserved.